

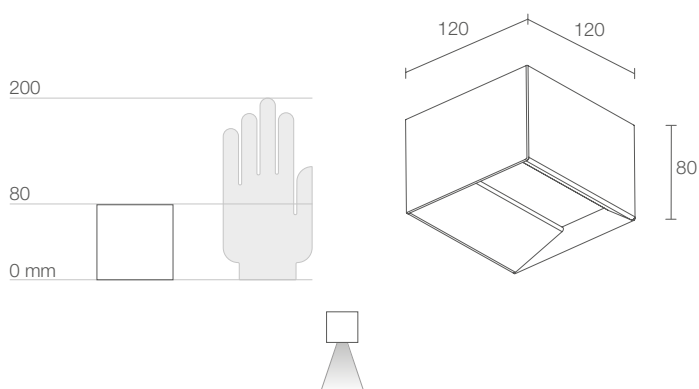


VERSA

INDOOR WALL MOUNTED

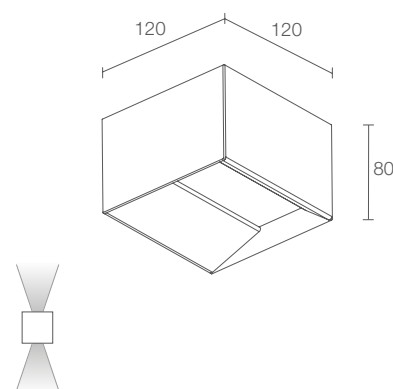


VERSA 1.0



POWER / POWER SUPPLY CODE	9W 230Vac VR1010 ■ DB White
LED COLOUR	F - 2700K 5 - 3000K 9 - 4000K
OPTICS	diffuse
LUMEN OUTPUT AT SOURCE	745 lm (3000K)
DELIVERED LUMEN OUTPUT	530 lm (3000K)
NO. AND TYPE OF LEDS	mid-power LED matrix
MATERIAL	body in steel screen in one-side-frosted, transparent plexiglass
POWER SUPPLY UNIT	built in
POWER CABLES	terminal block
MOUNTING	surface mounted (wall)
DESIGN BY	arch. Enrico Novello

VERSA 2.0



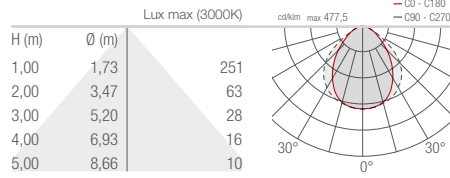
POWER / POWER SUPPLY CODE	18W 230Vac VR2010 ■ DB White
LED COLOUR	F - 2700K 5 - 3000K 9 - 4000K
OPTICS	diffuse
LUMEN OUTPUT AT SOURCE	745 lm (3000K) down beam 901 lm (3000K) up beam
DELIVERED LUMEN OUTPUT	530 lm (3000K) down beam 640 lm (3000K) up beam
NO. AND TYPE OF LEDS	mid-power LED matrix
MATERIAL	body in steel screen in one-side-frosted, transparent plexiglass
POWER SUPPLY UNIT	built in
POWER CABLES	terminal block
MOUNTING	surface mounted (wall)
DESIGN BY	arch. Enrico Novello

VERSA

PHOTOMETRIC DATA

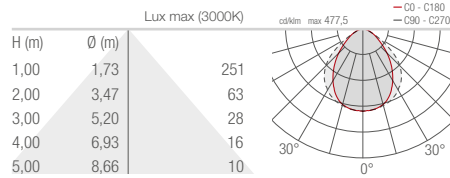
VERSA 1.0

D - Diffuse



VERSA 2.0

D - Diffuse, down beam



D - Diffuse, up beam

