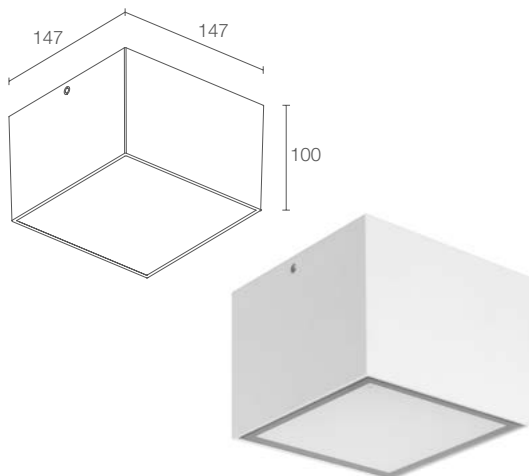


OUTDOOR CEILING MOUNTED WITH DIFFUSE LIGHT OR OPTICS



TAK 1.0

CE ENEC LED TECH kg 2.36 IP65 IK06
A A+ A++

POWER / POWER SUPPLY CODE

18W 230Vac
TA1011 **D E** White
TA1011 **D F** Grey
TA1011 **D H** Anthracite
TA1011 **D T** Cor-ten

LED COLOUR

F - 2700K
5 - 3000K
9 - 4000K

OPTICS

diffuse

LUMEN OUTPUT AT SOURCE 875 lm (3000K)

DELIVERED LUMEN OUTPUT 671 lm (3000K)

NO. AND TYPE OF LED power LED matrix
1/4 ANSI BIN, 50000h L90 B10 (Ta 25°C)

MATERIAL body in die-cast aluminium
screen in sandblasted,
tempered extra-clear glass

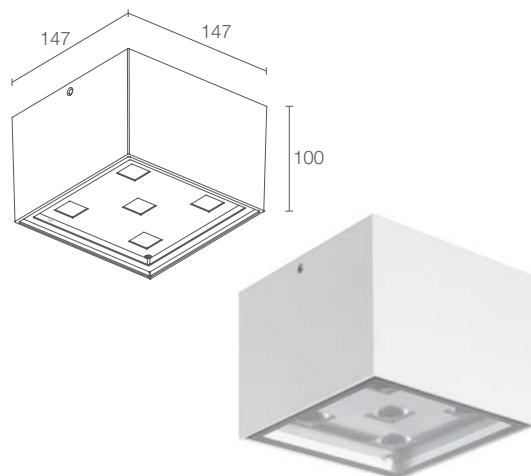
POWER SUPPLY UNIT built in

POWER CABLES connection box with 0.30 m cable

MOUNTING surface mounted (ceiling)

NOTES Casambi-compatible version,
controllable with the Casambi app,
available on request

PHOTOMETRIC DATA see p. 893



TAK 1.1

CE ENEC LED TECH kg 2.36 IP65 IK06
A A+ A++ PID

10W 230Vac
TA1110 **E** White
TA1110 **F** Grey
TA1110 **H** Anthracite
TA1110 **T** Cor-ten

18W 230Vac
TA1111 **E** White
TA1111 **F** Grey
TA1111 **H** Anthracite
TA1111 **T** Cor-ten

F - 2700K
5 - 3000K
9 - 4000K

S - 10°
F - 30°
K - 70°

727 lm (3000K, 10W)
1308 lm (3000K, 18W)

495 lm (3000K, 30°, 10W)
883 lm (3000K, 30°, 18W)

5, 9 power LEDs
1/4 ANSI BIN, 50000h L90 B10 (Ta 25°C)

body in die-cast aluminium
screen in sandblasted,
tempered extra-clear glass

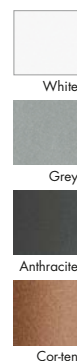
built in

connection box with 0.30 m cable

surface mounted (ceiling)

Casambi-compatible version,
controllable with the Casambi app,
available on request

see p. 893

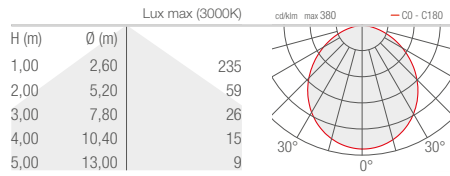




OUTDOOR CEILING MOUNTED

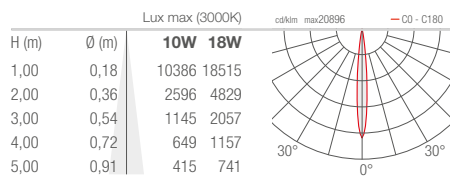
TAK 1.0

D - Diffuse

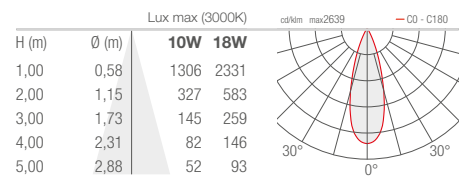


TAK 1.1

S - 10°



F - 30°



K - 70°

