



700

L&L Luce&Light

SPOT 316L

OUTDOOR AND UNDERWATER PROJECTORS
FOUNTAINS AND HARSH ENVIRONMENTS



COVER Ø30 mm

COVER Ø69 mm

COVER Ø124 mm

CONSTANT CURRENT



SPOT 1.0 316L p. 702
max 2W max 500mA



SPOT 2.0 316L p. 703
max 6W max 500mA RGB

CONSTANT VOLTAGE



SPOT 1.6 316L p. 702
2W 24Vdc



SPOT 2.6 316L p. 703
6W 24Vdc

WHITE AND BLUE LIGHT: CONSTANT VOLTAGE

RGB LIGHT: CONSTANT CURRENT



SPOT 3.0 316L p. 704
12W/18W 24Vdc
RGB: max 18W max 500mA RGB

< SPOT 3.0 316L
3000K, 12W, 40°

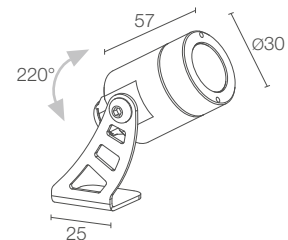
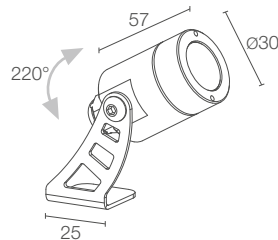
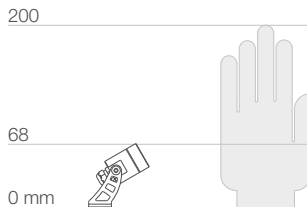
Light planning by / Ing. Paolo Saracino
and Ing. Donato Saracino
Grotta Zinzulusa, Castro Marina, Lecce, Italy

SPOT 1 316L



SPOT 1.0 316L

SPOT 1.6 316L



POWER / POWER SUPPLY CODE	max 2W max 500mA PW1012 ■ ■ ■ A I - ■
LED COLOUR	F - 2700K 5 - 3000K 9 - 4000K 0 - 5000K 1 - blue
OPTICS	S - 10° M - 20° L - 40°
POWER CABLES	includes 5 m neoprene cable H05RN-F 2x0.35/0.75 Ø6.3 mm 2 - 10 m 3 - 15 m 4 - 20 m
LUMEN OUTPUT AT SOURCE	145 lm (3000K, 500mA)
DELIVERED LUMEN OUTPUT	88 lm (3000K, 500mA, 20°)
NO. AND TYPE OF LED	1 power LED 1/4 ANSI BIN (white LED colour) 50000h L90 B10 (Ta 25°C)
MATERIAL	body and trim in AISI 316L stainless steel screen in tempered, transparent glass
POWER SUPPLY UNIT	not included, see p. 706 and 844
WIRING	series
MOUNTING	surface mounted (ceiling, wall, ground, spike) max depth 10 m
ACCESSORIES	see p. 706
NOTES	suitable for use out of water version with elliptical optics available on request
PHOTOMETRIC DATA	see p. 820

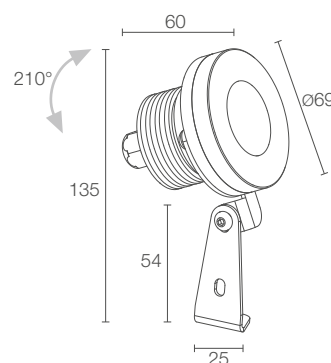
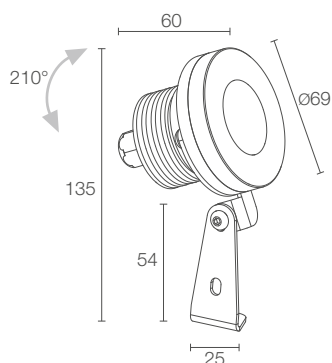
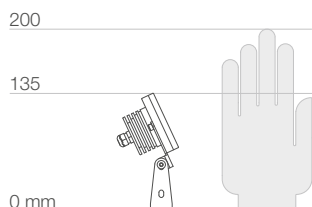
POWER / POWER SUPPLY CODE	2W 24Vdc PW1600 ■ ■ ■ I - ■
LED COLOUR	F - 2700K 5 - 3000K 9 - 4000K 0 - 5000K 1 - blue
OPTICS	S - 10° M - 20° L - 40°
POWER CABLES	includes 5 m neoprene cable H05RN-F 2x0.35/0.75 Ø6.3 mm 2 - 10 m 3 - 15 m 4 - 20 m
LUMEN OUTPUT AT SOURCE	145 lm (3000K)
DELIVERED LUMEN OUTPUT	88 lm (3000K, 20°)
NO. AND TYPE OF LED	1 power LED 1/4 ANSI BIN (white LED colour) 50000h L90 B10 (Ta 25°C)
MATERIAL	body and trim in AISI 316L stainless steel screen in tempered, transparent glass
POWER SUPPLY UNIT	not included, see p. 706
WIRING	parallele
MOUNTING	surface mounted (ceiling, wall, ground, spike) max depth 10 m
ACCESSORIES	see p. 706
NOTES	suitable for use out of water version with elliptical optics available on request
PHOTOMETRIC DATA	see p. 820

SPOT 2 316L



SPOT 2.0 316L

SPOT 2.6 316L

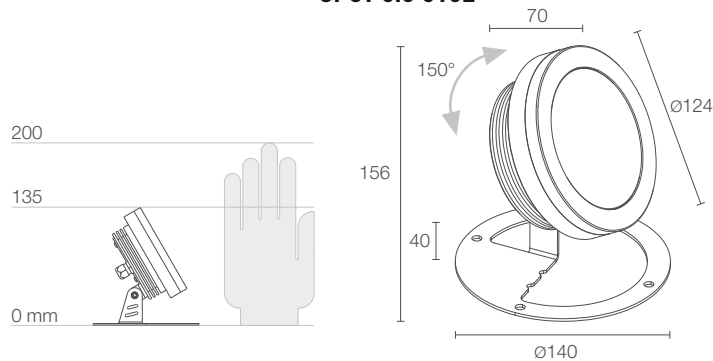


POWER / POWER SUPPLY CODE	max 6W max 500mA PW2032 ■ ■ ■ A I
LED COLOUR	F - 2700K 5 - 3000K 9 - 4000K 0 - 5000K 1 - blue 6 - RGB
OPTICS	S - 10° M - 24° L - 38°
LUMEN OUTPUT AT SOURCE	436 lm (3000K, 500mA) RGB: 277 lm, R: 102 lm G: 132 lm B: 43 lm (500mA)
DELIVERED LUMEN OUTPUT	314 lm (3000K, 500mA, 24°) RGB: 198 lm, R: 73 lm G: 94 lm B: 31 lm (500mA, 24°)
NO. AND TYPE OF LED	3 power LEDs 1/4 ANSI BIN (white LED colour) 50000h L90 B10 (Ta 25°C)
MATERIAL	body and trim in AISI 316L stainless steel screen in tempered, transparent extra-clear glass
POWER SUPPLY UNIT	not included, see p. 706 and 844
POWER CABLES	includes 5 m neoprene cable H05RN-F 2x0.75/0.75 Ø6.3 mm RGB: includes 5 m FEP+RUB cable (equivalent to H05RN-F) 6x0.50/0.50 Ø6.3 mm
WIRING	series
MOUNTING	surface mounted (ceiling, wall, ground, spike) max depth 10 m
ACCESSORIES	see p. 706
NOTES	suitable for use out of water version with elliptical optics available on request
PHOTOMETRIC DATA	see p. 820

POWER / POWER SUPPLY CODE	6W 24Vdc PW2600 ■ ■ ■ I
LED COLOUR	F - 2700K 5 - 3000K 9 - 4000K 0 - 5000K 1 - blue
OPTICS	S - 10° M - 24° L - 38°
LUMEN OUTPUT AT SOURCE	436 lm (3000K)
DELIVERED LUMEN OUTPUT	314 lm (3000K, 24°)
NO. AND TYPE OF LED	3 power LED 1/4 ANSI BIN (white LED colour) 50000h L90 B10 (Ta 25°C)
MATERIAL	body and trim in AISI 316L stainless steel screen in tempered, transparent extra-clear glass
POWER SUPPLY UNIT	not included, see p. 706
POWER CABLES	includes 5 m neoprene cable H05RN-F 2x0.75/0.75 Ø6.3 mm
WIRING	parallel
MOUNTING	surface mounted (ceiling, wall, ground, spike) max depth 10 m
ACCESSORIES	see p. 706
NOTES	suitable for use out of water version with elliptical optics available on request
PHOTOMETRIC DATA	see p. 820

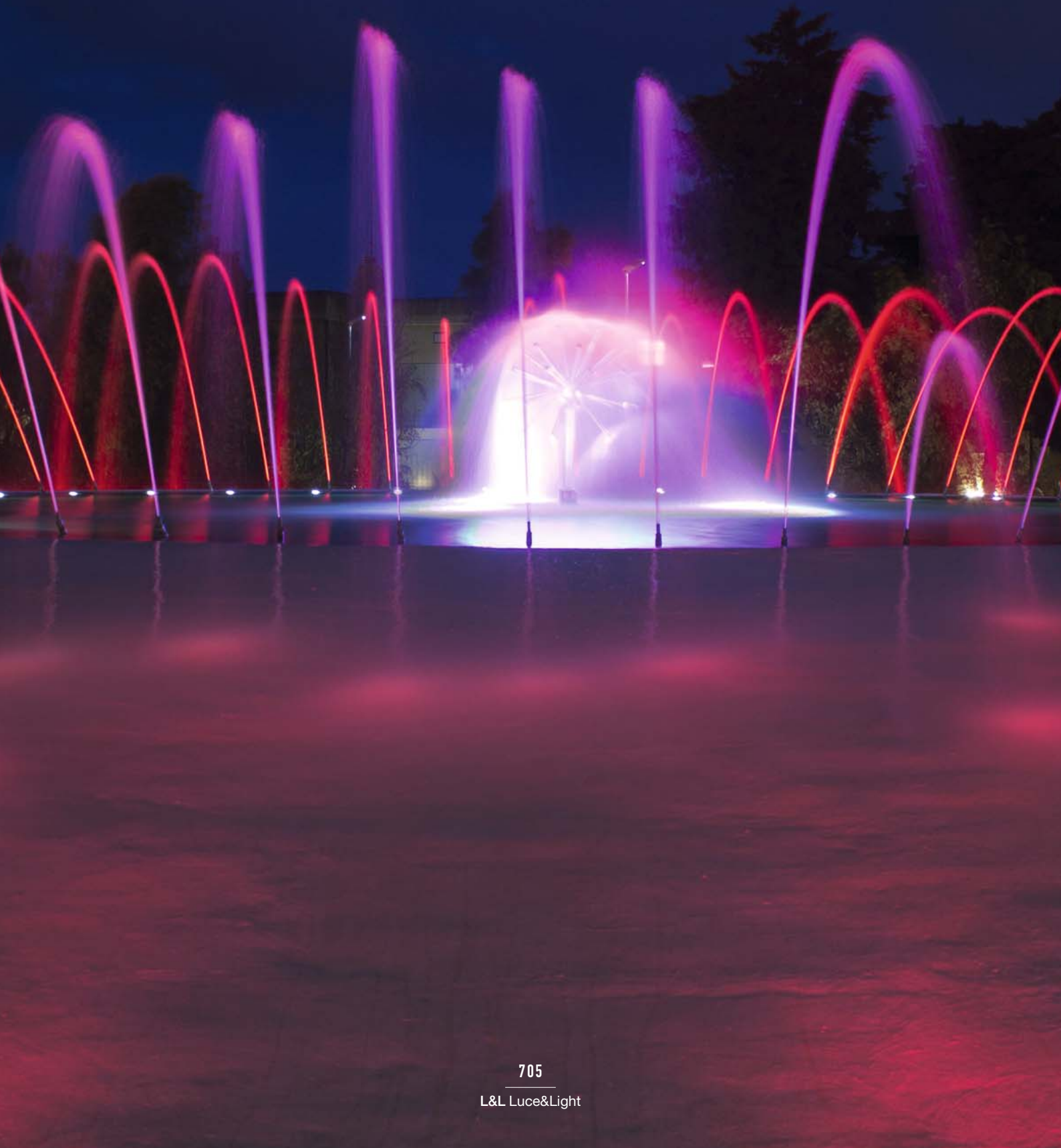


SPOT 3.0 316L



POWER / POWER SUPPLY CODE	12W 24Vdc blue/white light PW3062 ■ ■ A I 18W 24Vdc blue/white light PW3092 ■ ■ A I max 18W max 500mA RGB light PW3092 6 ■ ■ A I
LED COLOUR	F - 2700K 5 - 3000K 9 - 4000K 0 - 5000K 1 - blue
OPTICS	S - 10° M - 20° L - 40°
LUMEN OUTPUT AT SOURCE	872 lm (3000K, 12W) 1308 lm (3000K, 18W) RGB: 791 lm, R: 291 lm G: 375 lm B: 125 lm (500mA)
DELIVERED LUMEN OUTPUT	596 lm (3000K, 20°, 12W) 893 lm (3000K, 20°, 18W) RGB: 565 lm, R: 208 lm G: 268 lm B: 89 lm (500mA, 20°)
NO. AND TYPE OF LED	6, 9 power LEDs, 1/4 ANSI BIN (white LED colour) RGB: 9 power LEDs 50000h L90 B10 (Ta 25°C)
MATERIAL	body and trim in AISI 316L stainless steel screen in tempered, transparent extra-clear glass
POWER SUPPLY UNIT	not included, see p. 706
POWER CABLES	includes 5 m neoprene cable H05RN-F 2x0.75/0.75 Ø6.3 mm RGB: includes 5 m FEP+RUB cable (equivalent to H05RN-F) 6x0.50/0.50 Ø6.3 mm
WIRING	parallel RGB: series
MOUNTING	surface mounted (ceiling, wall, ground) max depth 10 m
ACCESSORIES	see p. 706
NOTES	suitable for use out of water version with elliptical optics available on request
PHOTOMETRIC DATA	see p. 820

SPOT 3 316L



SPOT 316L

ACCESSORIES AND POWER SUPPLY UNITS

ACCESSORIES FOR INSTALLATION



WP0100

Spike for installation in the ground

(Spot 1.0 316L / 1.6 316L /
2.0 316L / 2.6 316L)

POWER CABLES Spot 2.0 316L / 2.6 316L / 3.0 316L

to order the power cable, add the suffix -2, -3 or -4
to the code for the lighting fixture

- 2 length 10 m
- 3 length 15 m
- 4 length 20 m

white LED colour

Neoprene cables

H05RN-F 2x0.75/0.75 Ø6.3 mm IPS

RGB

FEP+RUB cables (equivalent to H05RN-F)

6x0.50/0.50 Ø6.3 mm IPS

POWER SUPPLY UNITS Spot 1.0 316L

350mA

Max no. fixtures	PSU	IP	Page
1/3	A13350VL	20	845
2/5	A16350IP67	67	845

500mA

Max no. fixtures	PSU	IP	Page
1/3	A13500TC	20	845
2/5	A15500QL	20	845
1/4	A14500IP67	67	845

POWER SUPPLY UNITS Spot 2.0 316L

350mA

Max no. fixtures	PSU	IP	Page
1	A13350VL	20	845
1/2	A16350IP67	67	845
-	RGB controller	-	855 - 860

500mA

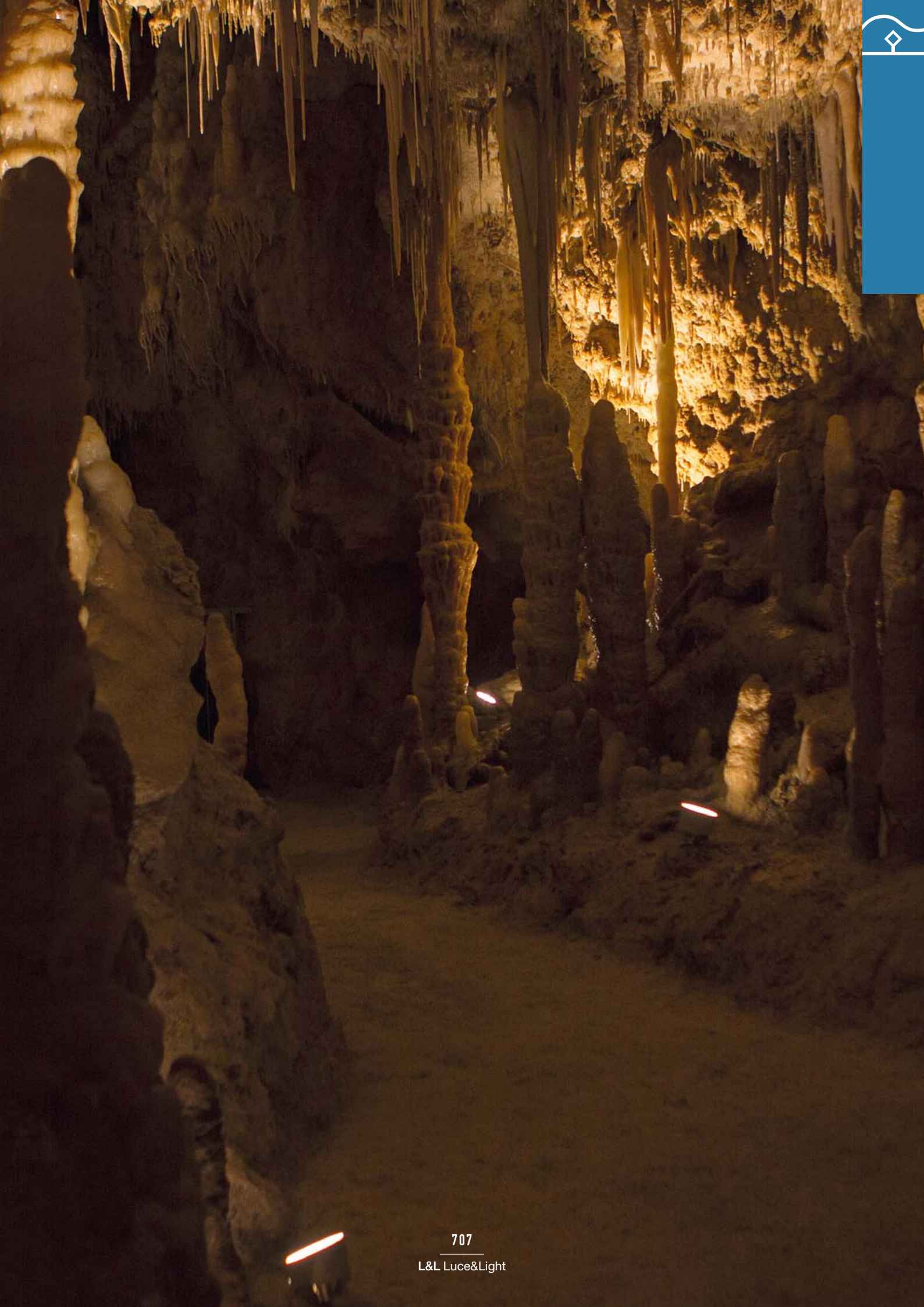
Max no. fixtures	PSU	IP	Page
1	A15500QL	20	845
1	A14500IP67	67	845
-	RGB controller	-	855 - 860

POWER SUPPLY UNITS Spot 1.6 316L / 2.6 316L

Max no. fixtures	PSU	IP	Page
1...n	24Vdc	20	847
1...n	24Vdc	67	847

POWER SUPPLY UNITS Spot 3.0 316L

Max no. fixtures	PSU	IP	Page
1...n	24Vdc	20	847
1...n	24Vdc	67	847
-	RGB controller	-	855 - 860

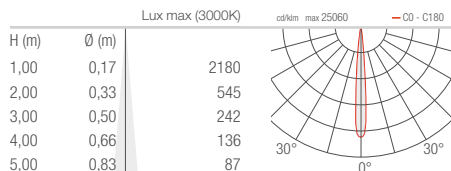


SPOT 316L

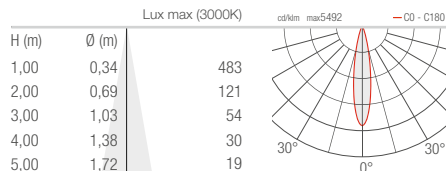
UNDERWATER AND OUTDOOR PROJECTORS

SPOT 1.0 316L 1.6 316L

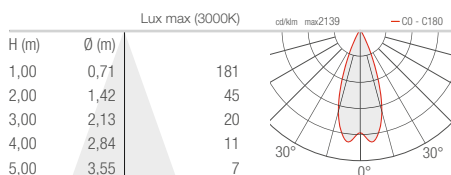
S - 10°



M - 20°

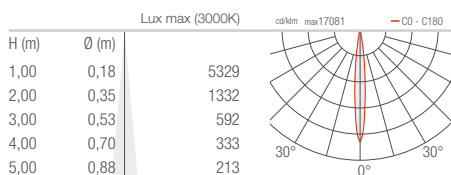


L - 40°

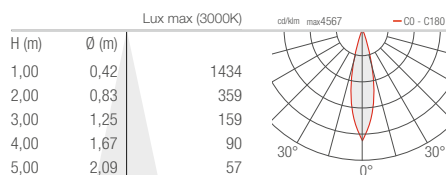


SPOT 2.0 316L 2.6 316L

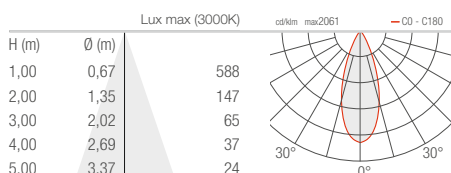
S - 10°



M - 24°

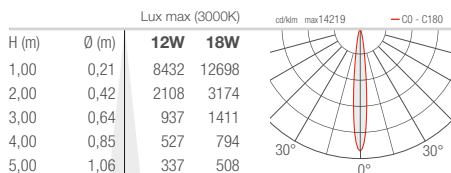


L - 38°

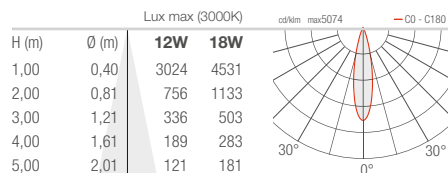


SPOT 3.0 316L

S - 10°



M - 20°



L - 40°

