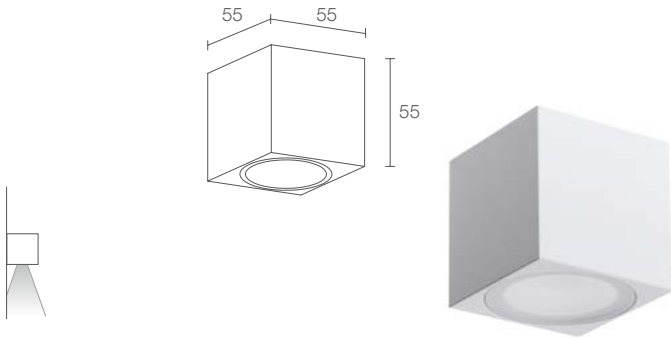


CUBE W

OUTDOOR WALL MOUNTED OPTICS WITH WHITE AND RGB LIGHT



CUBE W 1.0



kg 0.40 IP54

A A+ A++ CASAMBI

POWER / POWER SUPPLY CODE

max 6W max 500mA blue/white light

CU1032 ■ ■ ■ E White
CU1032 ■ ■ ■ H Anthracite
CU1032 ■ ■ ■ T Cor-ten

max 3W max 350mA RGB light

CU1031 6 ■ ■ ■ E White
CU1031 6 ■ ■ ■ H Anthracite
CU1031 6 ■ ■ ■ T Cor-ten

LED COLOUR

F - 2700K
5 - 3000K
9 - 4000K
0 - 5000K
1 - blue

OPTICS

S - 18°
M - 28°
L - 36°

LUMEN OUTPUT AT SOURCE

410 lm (3000K, 500mA)
 RGB: 197 lm, R: 62 lm G: 100 lm
 B: 35 lm (350mA)

DELIVERED LUMEN OUTPUT

337 lm (3000K, 500mA, 28°)
 RGB: 163 lm, R: 51 lm G: 83 lm
 B: 29 lm (350mA, 28°)

NO. AND TYPE OF LED

3 power LEDs
 1/4 ANSI BIN (white LED colour)
 50000h L90 B10 (Ta 25°C)

MATERIAL

body in anodized aluminium
 screen in frosted plexiglass

POWER SUPPLY UNIT

not included, see p. 904 and 917

POWER CABLES

includes 2x0.30 m single-core cables
 RGB: includes 1.5m PVC cable
 FROR 6x0.25 Ø5 mm

WIRING

series

MOUNTING

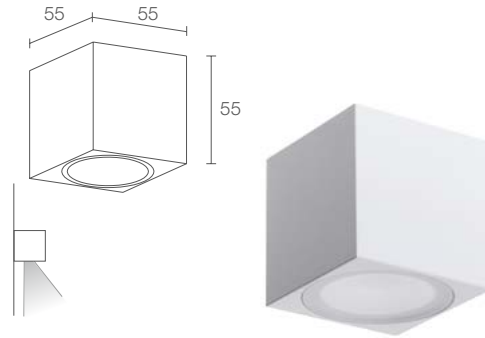
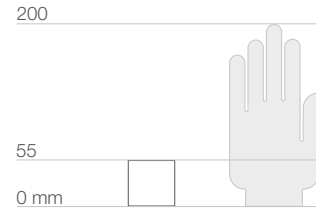
surface mounted (wall)

NOTES

ceiling-mounted version: Cube C 1.2, p. 387

PHOTOMETRIC DATA

see p. 820



CUBE W 1.1



kg 0.40 IP54

A A+ A++ CASAMBI

max 6W max 500mA blue/white light

CU1132 ■ ■ ■ E White
CU1132 ■ ■ ■ H Anthracite
CU1132 ■ ■ ■ T Cor-ten

max 3W max 350mA RGB light

CU1131 6 ■ ■ ■ E White
CU1131 6 ■ ■ ■ H Anthracite
CU1131 6 ■ ■ ■ T Cor-ten

F - 2700K
5 - 3000K
9 - 4000K
0 - 5000K
1 - blue

S - 18° tilted 20°
M - 28° tilted 20°
L - 36° tilted 20°

410 lm (3000K, 500mA)
 RGB: 197 lm, R: 62 lm G: 100 lm
 B: 35 lm (350mA)

295 lm (3000K, 500mA, 28°)
 RGB: 141 lm, R: 44 lm G: 72 lm
 B: 25 lm (350mA, 28°)

3 power LEDs
 1/4 ANSI BIN (white LED colour)
 50000h L90 B10 (Ta 25°C)

body in anodized aluminium
 screen in frosted plexiglass

not included, see p. 904 and 917

includes 2x0.30 m single-core cables
 RGB: includes 1.5m PVC cable
 FROR 6x0.25 Ø5 mm

series

surface mounted (wall)

ceiling-mounted version: Cube C 1.3, p. 387

see p. 820

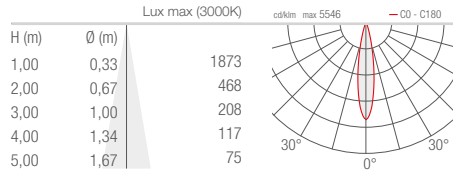


CUBE C / CUBE W

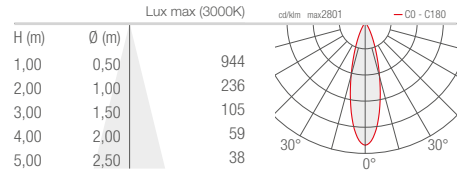
OUTDOOR CEILING MOUNTED / OUTDOOR WALL MOUNTED

CUBE C 1.2 CUBE W 1.0

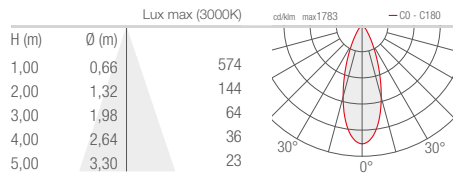
S - 18°



M - 28°

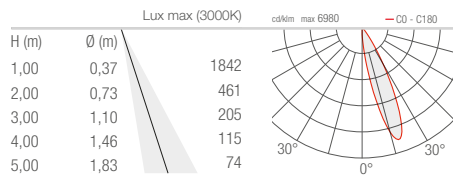


L - 36°

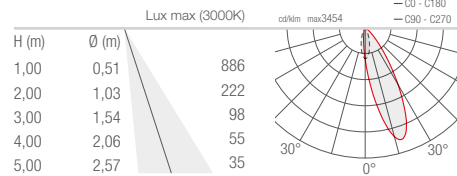


CUBE C 1.3 CUBE W 1.1

S - 18° tilted 20°



M - 28° tilted 20°



L - 36° tilted 20°

