



FEATURES

- TIMER CASAMBI
- Input DC: 12/24/48 Vdc
- Command: APP CASAMBI
- Command: Push Button Normally Open, setting by APP
- Time clock storing to keep on memory Casambi scenarios in case of temporarily black-out
- Allows to keep memory the clock of Casambi Network for 24 hours
- Pression clock
- Synchronization of scenarios and programs of Casambi in case of black-out or temporarily missing of power supply.
- Synchronization and storing of the circadian profile set by Casambi App
- Extended temperature range
- 100% Functional Test

→ For the whole and update **Device Manual** refer to producer's website: <http://lucelight.it>

➤ PRODUCT CODE

CODE	Supply Voltage	Command
EC0TIM12840020	12-48V DC	APP CASAMBI – Push button N.O.

➤ PROTECTION

OVP	Over voltage protection ¹	✓
UVP	Under voltage protection ¹	✓
RVP	Reverse polarity protection ¹	✓
IFP	Input fuse protection ¹	✓

¹ Only control logic protection

➤ **TECHNICAL SPECIFICATIONS**

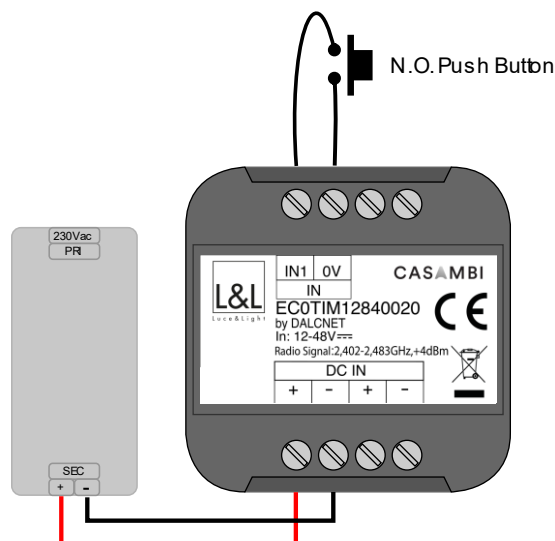
		EC0TIM12840020
Supply Voltage		min: 10,8 Vdc .. max: 52,8 Vdc
Input current		max 15mA
Nominal power ²	@12V	0.144W
	@24V	0.216W
	@48V	0.288W
Power loss in standby mode		<500mW
Operating frequencies		2,400...2,483 GHz ³
Maximum output power		4dBm ³
Storage Temperature		min: -25 max: +60 °C
Ambient Temperature ²		min: -10 max: +40 °C
Wiring		2.5mm ² solid – 2.5mm ² stranded - 30/12 AWG
Wire preparation length		6 mm
Protection grade		IP20
Casing material		Plastic
Packaging unit (pieces/unit)		Single Carton Box 1 pz
Mechanical Dimensions		45 x 58 x 25 mm
Packaging Dimensions		54 x 68 x 35 mm
Weight		40g

² Maximum value, depends on the ventilation conditions.

³ The values depend on the configuration of the Casambi module.

➤ INSTALLATION

Connection the power supply and (optional) connection the local command (N.O. Push Button) to the device terminal block "IN".



*For the control with the Push Buttons N.O. see the documentations in the website: <http://www.casambi.com>. Note: For the length of the cables see the Technical Note

➤ FUNCTION

- Make the pairing of the EC0TIM12840020 with the desired network;
- After the pairing, the EC0TIM12840020 acquires the time, via Android or Apple device, from CASAMBI APP;
- In case of momentary blackout, the EC0TIM12840020 keep the Network is time memorized for maximum time of 24 hours;
- When the power supply returns, all CASAMBI devices get synchronized with the EC0TIM12840020 present in their network and acquire the correct time to restore programming and synchronization before the blackout. This happens without the need of synchronizing the CASAMBI devices again with the CASAMBI APP.

Notes:

- If the blackout includes also the power of the EC0TIM12840020, after a maximum time of 2 minutes the TIMER CASAMBI will restore the Network time to the CASAMBI devices.
- If the blackout includes only CASAMBI devices and not the EC0TIM12840020, the EC0TIM12840020 immediately restores the network time to the devices.
- If the EC0TIM12840020 loses the time of the network it is sufficient to synchronize the EC0TIM12840020 network with an Android or Apple device, through CASAMBI APP.

➤ PUSH DIMMER

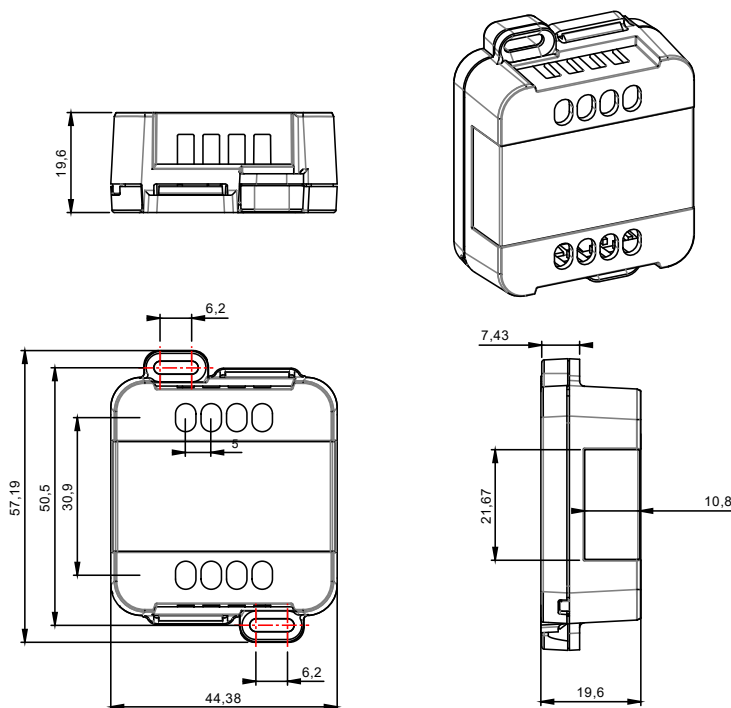
CASAMBI ~~FEATURE~~ to program the local command with some present functions.

Button	Function (*)		
1	Controls a luminaire	Click Long pressure (>1s) from	Tap to turn a luminaire on or off – hold to adjust luminaire brightness
1	Controls an element	Click Long pressure (>1s) from	Tap to turn a device element on or off – hold to adjust the element value
1	Control scene	Click Long pressure (>1s) from	Tap to turn a scene on or off – hold to adjust brightness
1	Active / Standby	Click Long pressure (>1s) from	Tap to switch between two scenes – hold to adjust current scene brightness

(*) FOR THE ALL-OTHER FUNCTIONS CHECK CASAMBI APP INSTRUCTION ON WEB-SITE: <http://www.casambi.com>

NOTE: by default, N.O. Push Button is not set.

➤ **MECHANICAL DIMENSION**



➤ **TECHNICAL NOTES**

Installation:

- Installation and maintenance must be performed only by qualified personnel in compliance with current regulations.
- The product must be installed inside an electrical panel protected against overvoltages.
- The product must be installed in a vertical or horizontal position with the cover / label upwards or vertically; Other positions are not permitted. It is not permitted to bottom-up position (with the cover / label down).
- Keep separated the circuits at 230V (LV) and the circuits not SELV from circuits to low voltage (SELV) and from any connection with this product. It is absolutely forbidden to connect, for any reason whatsoever, directly or indirectly, the 230V mains voltage to the bus or to other parts of the circuit.

Power Supply:

- For the power supply use only a SELV power supplies with limited current, short circuit protection and the power must be dimensioned correctly. In case of using power supply with ground terminals, all points of the protective earth (PE = Protection Earth) must be connected to a valid and certified protection earth.
- The connection cables between the power source "low voltage" and the product must be dimensioned correctly and they should be isolated from every wiring or parts at voltage not SELV. Use double insulated cables.
- Dimension the power supply for the load connected to the device. If the power supply is oversized compared with the maximum absorbed current, insert a protection against over-current between the power supply and the device.

Command:

- The length of the connection cables between the local commands (N.O. Push button or other) and the product must be less than 10m; the cables must be dimensioned correctly and they should be isolated from every wiring or parts at voltage not SELV. It is suggested to use double insulated shielded and twisted cables.
- All the product and the control signal connect at the local command (N.O. Push Button or other) must be SELV (the devices connected must be SELV or supply a SELV signal)