

# AV0D024V20066 - 24Vdc - 200W DALI 2



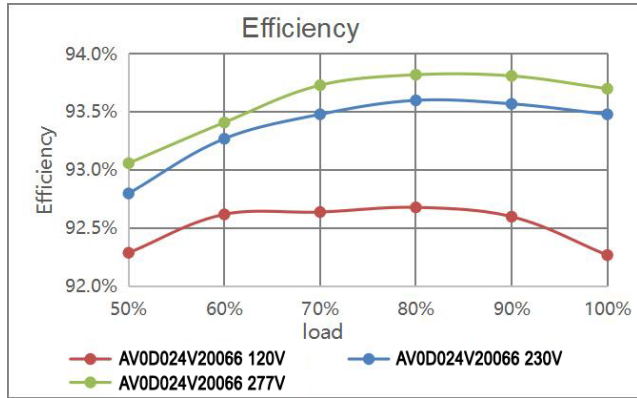
## Features

Output:	Constant Voltage
Range:	100-277VAC
PFC design:	Built-in active PFC function
Efficiency:	up to 93.5%
Protections:	short circuit/ over load/ over temperature
Heat dissipation:	Cooling by free air convection
Waterproof performance:	Full aluminum housing, for dry, damp, wet locations, IP66
Dimming function:	DALI dim. Digital dimming, flicker-free dimming 0-100%
Dimming range:	dimming depth: 0.1%
Application:	Suitable for LED lighting and moving sign applications

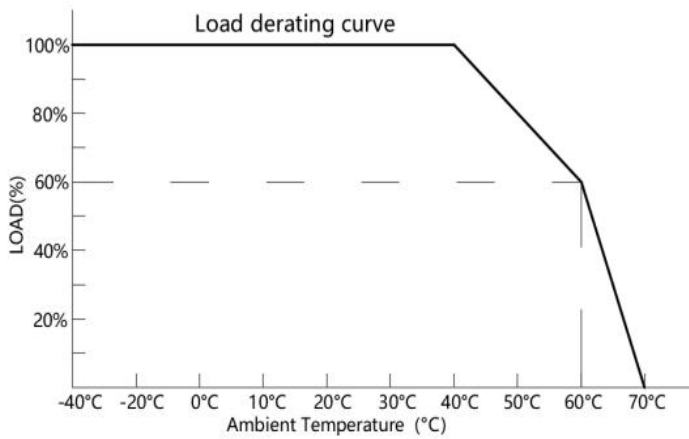
## Specification

Model		AV0D024V20066
Certificate		UL / cUL / Class P / FCC / ENEC / CE / SELV / ROHS / Reach / DALI2
Output	DC Voltage	24V (24-26V adjust by NFC)
	Voltage Tolerance	±0.5V
	Voltage Regulation	0.5%
	Rated current	8.33A
	Rated power	200W
	Load Regulation	1%
Input	Voltage Range	100-277VAC
	Frequency Range	47 - 63Hz
	Power Factor (Typ.) @ full load	PF≥0.98@120VAC PF≥0.98@230VAC PF≥0.97@277VAC
	THD(Typ. ) @ full load	≤15%
	Efficiency(Typ.) @ full load	92%@120VAC 93.5%@230VAC 93.5%@277VAC
	AC Current (Max.)	2.3A
	Inrush Current (Typ.)	38.4A,510us @ 50% 120VAC 88A,120us @ 50% 230VAC 48A,560us @ 50% 277VAC
	Leakage current	<0.5mA
Protection	Short Circuit	Hiccup mode, recover automatically after fault condition is removed
	Over Load	≤120% ,hiccup mode, recover automatically after fault condition is removed
	Over temperature	Shell surface temperature 100°C ± 10°C shut down o/p voltage, automatically recover after the temperature drops.
Environment	Working TEMP.	-40~+60°C (see below derating curve)
	Working Humidity	20 - 95%RH non-condensing
	Storage TEM.,Humidity	-40 - +80°C,10 - 95% RH non-condensing
	TEMP.coefficient	±0.03%/°C(0 - 50°C)
	Vibration	10~500Hz, 5G 10min./1 cycle, period for 60min. each along X,Y,Z axes
Safety & EMC	Safety standards	EN61347-1 EN61347-2-13 UL8750 CAN/CSA-C22.2 No. 250.13 UL1310
	Withstand voltage	I/P-O/P:3.75KVAC I/P-FG:1.5KVAC O/P-FG:0.5KVAC ( EU) I/P-O/P:1.80KVAC I/P-FG:1.8KVAC O/P-FG:1.8KVAC ( US )
	Isolation resistance	I/P-O/P:100MΩ / 500VDC / 25°C / 70%RH
	EMC Emission	EN55015 EN61000-3-2,3(≥50%load) FCC Part 15 Subpart B
Others	Net Weight	1.05Kg
	Dimension	232*78*25.1mm (L*W*H)
	Packing	330*300*210mm 20pcs /CTN
Notes	1. All parameters NOT specially mentioned are measured at rated load and 25°C of ambient temperature. 2. Tolerance: includes set up tolerance and load regulation .	

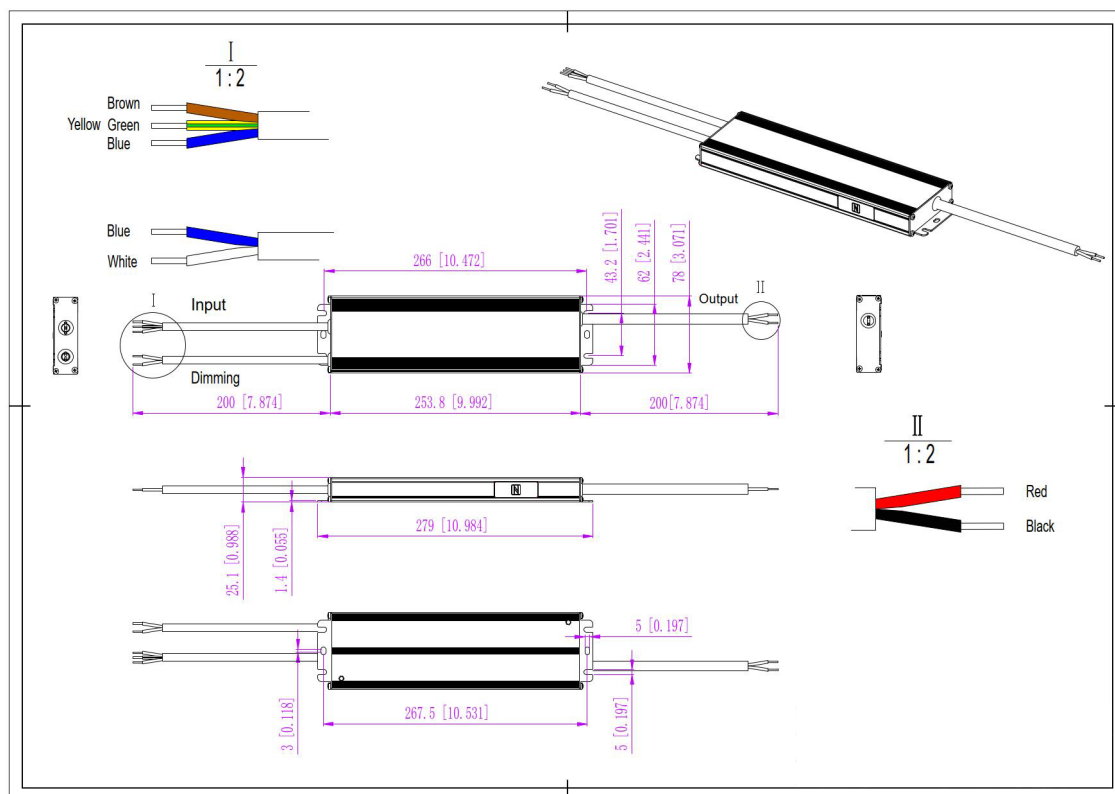
**Efficiency Curve** (efficiency vs output load)



**Derating Curve** (output load vs TEMP.)



❖ To extend their life, please refer to the Derating Curve and derate according to the temperature.

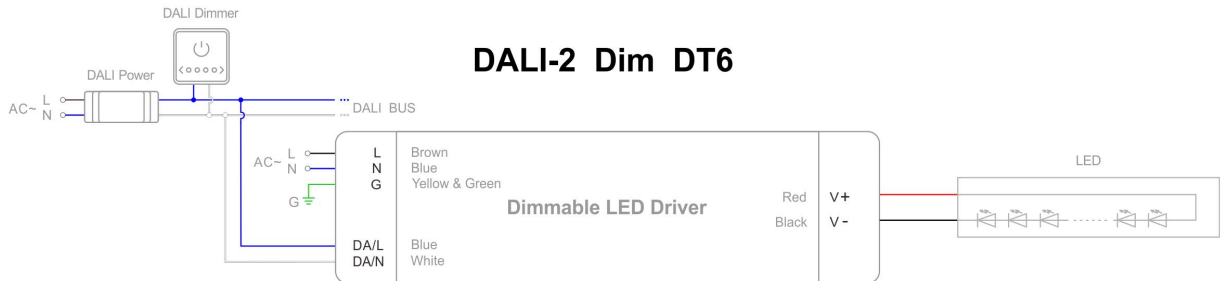


### 24V Version

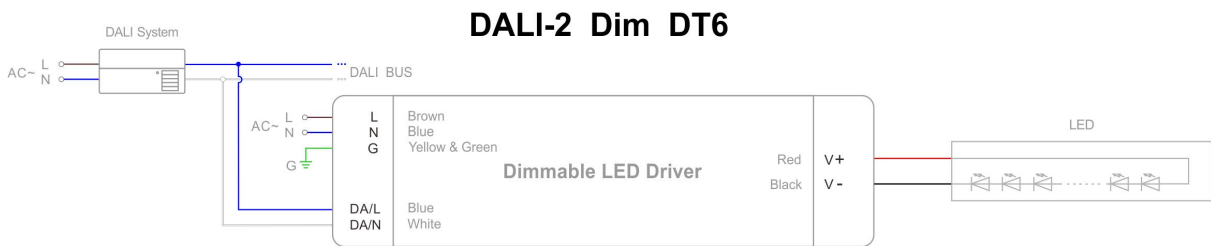
1. Input cable 3\*1.0mm<sup>2</sup>, the Brown cable to (L), the White cable to (N), and the Yellow & Green cable to (FG)
2. Output cable 2\*1.5mm<sup>2</sup> (12V), 2\*1.5mm<sup>2</sup> (24V), Red cable (+) to Positive side(+), Black cable (-) to Negative side (-).
3. Dimming cable 2\*1.0mm<sup>2</sup>, White DA/N and Blue DA/L (No polar) connected to the DALI BUS when use DALI function.

## Dimming Operation and Connecting Diagram

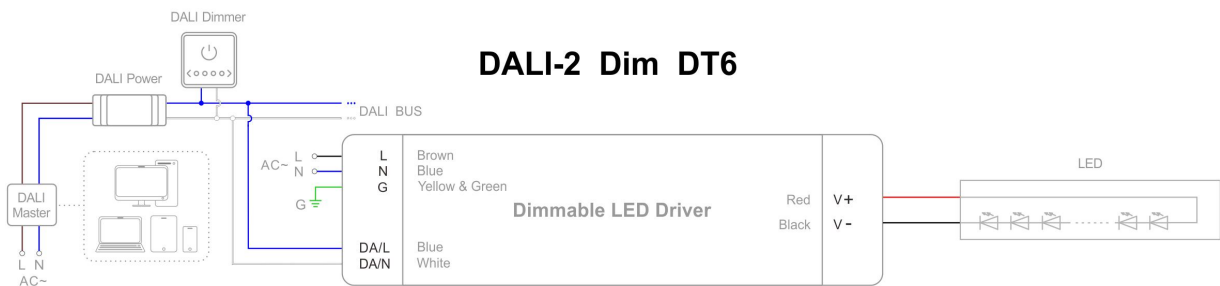
- Using DALI-2 dimming with DALI power and dimmer



- Using DALI-2 dimming with DALI system and DALI bus



- Using DALI-2 dimming with intelligent device, DALI master and dimmer





## **AV0D024V20066**

**Technical data sheet - *Scheda tecnica***

**DALI-2 Dimmable LED driver 200W LED driver  
200W DALI-2 Dimmerabile**

---



