

Dimmer 1chx10A Casambi

Luce & Light

Tæá^há}ÁÓcæ|^



ÒÔ€ÒÒÞFG I I ÖÖEG€ÁÓ^ÁÖæ|&}^c

Ú[, ^há~]]]^Á~ }æ•ææ } ä& [] c[[]á^æá/ CE| { ^ } cæc [íä^áá^Á^c [] í&æáä& [] c[[] [/ W] æ... •áäææ| { ^ } cæc [] Á^cÁ^Á^c [] }æ~ ^há^á & [] c[í / S^á^c~ } •Éá~ } äÚc^~ ^Á^Á^c [] í \ W } íäæá^•á^áæ| { ^ } cæ&í5 } Á^Á^Á^c [] í&æá^á& [] c[[]



FEATURES

- DIMMER+DRIVER CASAMBI
- Input: DC 12-24 Vdc
- Command APP CASAMBI
- Local Command: N°1 Push Button Normally Open (N.O.)
- Control: Dimmer White.
- Voltage output for LED strip
- Typical efficiency > 95%
- Extended temperature range
- 100% Functional Test

PRODUCT DESCRIPTION

Device Manual

This ECOCEN1244DA20 at 1 channel with CASAMBI module allows to control all kind of leds: White or Monochromatic. Through this Dalcnet device it is possible to adjust the luminous brightness and to create multiple scenes thanks to all commands available on “CASAMBI APP”. The device is also provide with 1 analog input (n°1 Push Buttons Normally Open) to control a scene. With Casambi APP it is possible to control Led lights just from one view, by taking a photo of the lamps in a room, or by creating different scenarios.

Controlling all your lamps from one view, it is possible to control all your lighting fixtures with one view, individually or as a group. For example it is possible create a group of lights within home (e.g. bedroom, kitchen, etc..) as in the workplace (e.g. offices, showroom, etc..) and turn all off / on or dim with just one tap.

Control your lights from a photo. It is possible to control only the lights you desire, just taking a photo of the room, and putting the icon of the lamp on the real position.

Create scenes for different lighting situations: Thanks to this function it is possible to create and store on the app many scenarios with different levels of brightness.

Download the free Casambi APP on APP STORE and GOOGLE PLAY.
Necessary conditions for a correct function are:

- Devices with S.O. APPLE iOS 8.2 o later version
- Devices with S.O. ANDROID 4.4 o later version
- Normally Open Push Buttons (N.O.)
- Casambi App, download for free on App Store and Google Play



→ For the whole and updated **Device Manual** refer to producer’s website: <http://www.lucelight.it>
→ For the correct functioning of **CASAMBI APP** refer to the CASAMBI website: <http://www.casambi.com>

CONSTANT VOLTAGE VARIANT (common anode)

CODE	Supply Voltage	Output	Channels	Commands
EC0CEN1244DA20	12-24V DC	1 x 10A	1	APP CASAMBI – n°1 N.O. Push Button

The factory default profile of the product is 1CH-WHITE monochromatic variant.

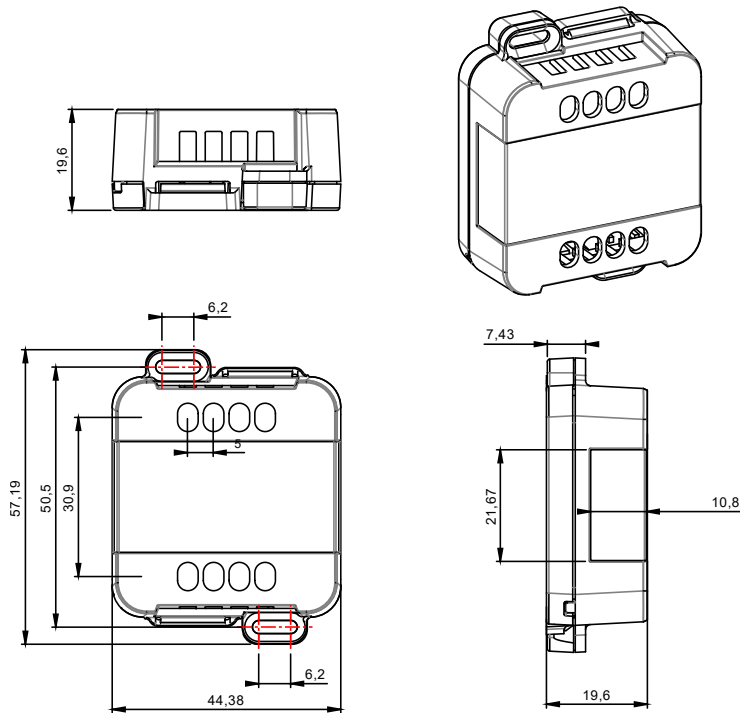
PROTECTIONS

OTP	Over voltage protection ¹	✓
UVP	Under voltage protection ¹	✓
RVP	Reverse polarity protection ¹	✓
IFP	Input fuse protection ¹	✓

TYPE OF PROFILES

PROFILE	Supply Voltage	Output	Channels	Commands	
1CH-WHITE	12-24V DC	1 x CV	1	APP CASAMBI – n°1 N.O. Push Button	DIMMER

MECHANICAL DIMENSIONS:



¹ Only control logic protection

REFERENCE STANDARDS

EN 61347-1	Lamp controlgear - Part 1: General and safety requirements
EN 55015	Limits and methods of measurement of radio disturbance characteristics of electrical lighting and similar equipment
EN 61547	Equipment for general lighting purposes - EMC immunity requirements

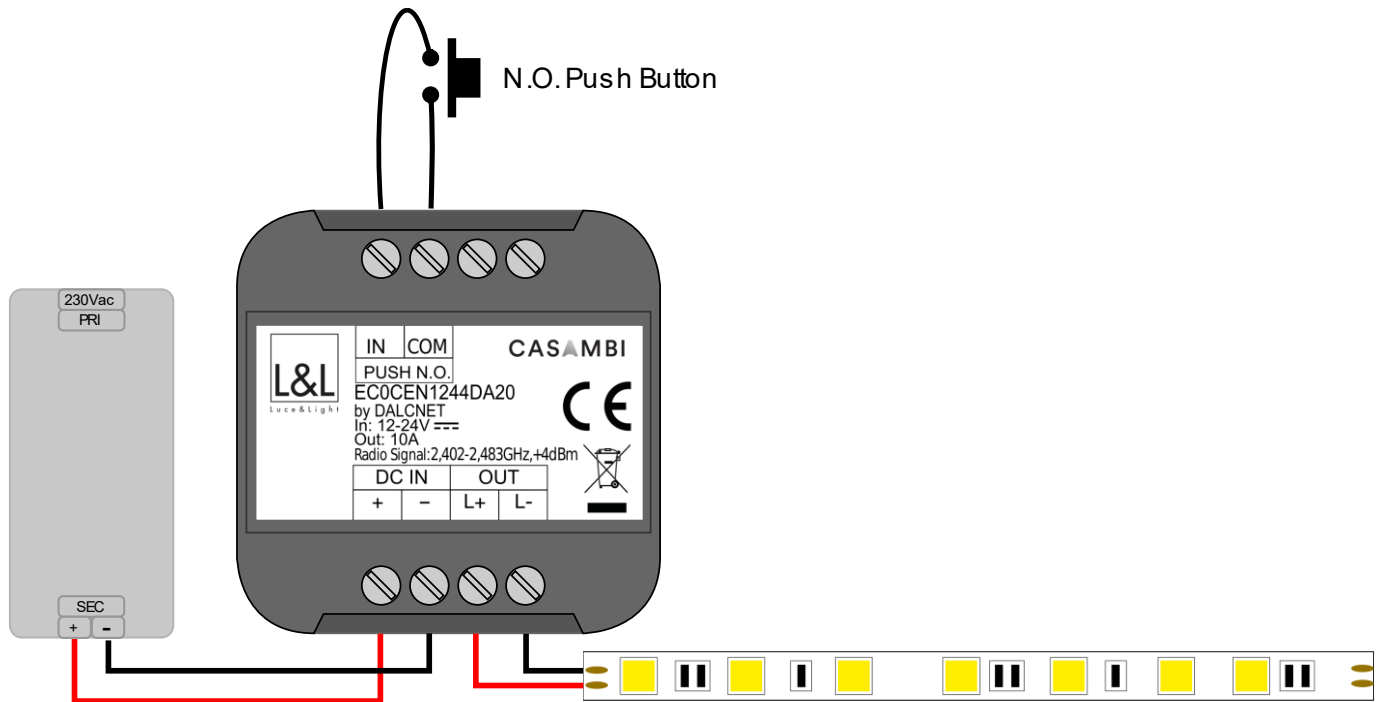
TECHNICAL SPECIFICATION

		Variants
		Constant voltage
Supply voltage		min: 10,8 Vdc .. max: 26,4 Vdc
Output voltage		=Vin
Input current		max 10A
Output current		max 10 A ²
Nominal power ²	@12V	120 W
	@24V	240 W
Power loss in standby mode		<500mW
Type of Load		R
D-PWM dimming frequency		600 Hz ³
D-PWM resolution		833 Step ³
Operating frequencies		2,400...2,483 GHz ³
Maximum output power		4dBm ³
Storage Temperature		min: -40 max: +60 °C
Ambient Temperature ²		min: -10 max: +40 °C
Wiring		1.5mm ² solid - 1mm ² stranded - 30/12 AWG
Wire preparation length		5.5 ÷ 6.5 mm
Protection grade		IP20
Casing material		Plastic
Packaging unit (pieces/unit)		Single Carton Box 1 pz
Mechanical dimension		44 x 57 x 19 mm
Packaging dimension		56 x 68 x 35 mm
Weight		38g

² maximum value, dependent on the ventilation conditions.

³ The values depend on the configuration of the Casambi module.

INSTALLATION



*For the control with the Push Buttons N.O. see the documentations in the website: <http://www.casambi.com>

Note: For the length of the cables see the Technical Note

➤ **TECHNICAL NOTE:**

Installation:

- Installation and maintenance must be performed only by qualified personnel in compliance with current regulations.
- The product must be installed inside an electrical panel protected against overvoltages.
- The product must be installed in a vertical or horizontal position with the cover / label upwards or vertically; Other positions are not permitted. It is not permitted to bottom-up position (with the cover / label down).
- Keep separated the circuits at 230V (LV) and the circuits not SELV from circuits to low voltage (SELV) and from any connection with this product. It is absolutely forbidden to connect, for any reason whatsoever, directly or indirectly, the 230V mains voltage to the bus or to other parts of the circuit.

Power supply:

- For the power supply use only a SELV power supplies with limited current, short circuit protection and the power must be dimensioned correctly. In case of using power supply with ground terminals, all points of the protective earth (PE = Protection Earth) must be connected to a valid and certified protection earth.
- The connection cables between the power source "low voltage" and the product must be dimensioned correctly and they should be isolated from every wiring or parts at voltage not SELV. Use double insulated cables.
- Dimension the power supply for the load connected to the device. If the power supply is oversized compared with the maximum absorbed current, insert a protection against over-current between the power supply and the device.

Command:

- The length of the connection cables between the local commands (N.O. Push button or other) and the product must be less than 10m; the cables must be dimensioned correctly and they should be isolated from every wiring or parts at voltage not SELV. Use double insulated shielded and twisted cables.
- All the product and the control signal connect at the local command (N.O. Push button or other) must be SELV (the devices connected must be SELV or supply a SELV signal)

Outputs:

- The length of the connection cables between the product and the LED modules must be calculated based on the load applied and the voltage drops allowed by the installed product; the section of the cables must be dimensioned correctly and they must be isolated from any wiring or parts with voltage not SELV.

WARNING: For optional functionality of the Bluetooth signal, do not put the device into metal or aluminium boxes and do not shield the device.

As any other Bluetooth product, should not be placed in a metal enclosure or next to large metal structures. Metal will effectively block all radio signal which are crucial to the operation of the product.