



Made in Italy



ARC336500D1

Power supply units and control gear



ARC336500D1

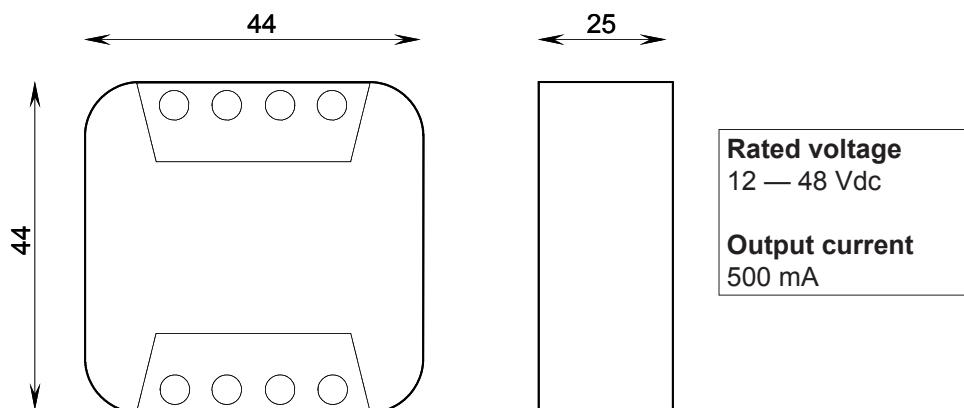
WARNING!!!

Please read the following instructions carefully.

IMPORTANT:

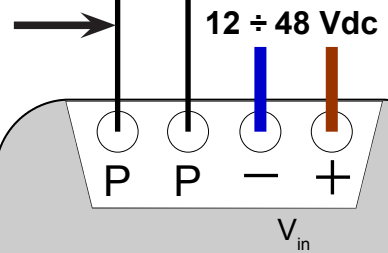
- Although LED runs on a very low voltage, always cut off the power supply before installing the LED light or subjecting it to maintenance.
- Unauthorised alterations or tampering of the product will invalidate all the conditions of guarantee.
- This fixture must be installed by a qualified electrician.
- Install the device in a well-ventilated place.
- The device generates heat when in function.
- L&L Luce&Light is not responsible if its fixtures are not installed in accordance with local safety standards.
- Data contained in this document may be changed at any moment without prior notice and do not place L&L Luce&Light under any implicit or explicit obligation.

The 3-channel sequence, used to dynamically change colour in RGB lamps.



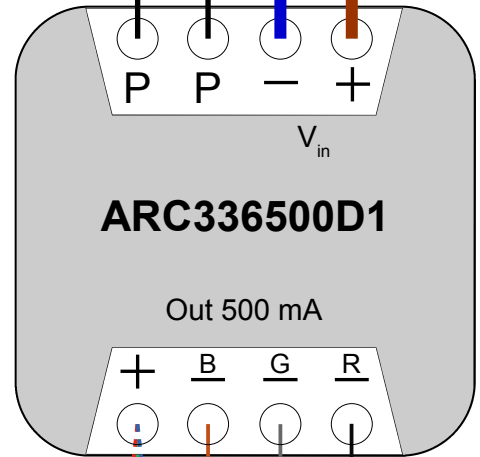
NO PUSH BUTTON

USE N.O. PUSH BUTTON
 MAXIMUM DISTANCE 10 m
 USE SHIELDED CABLE

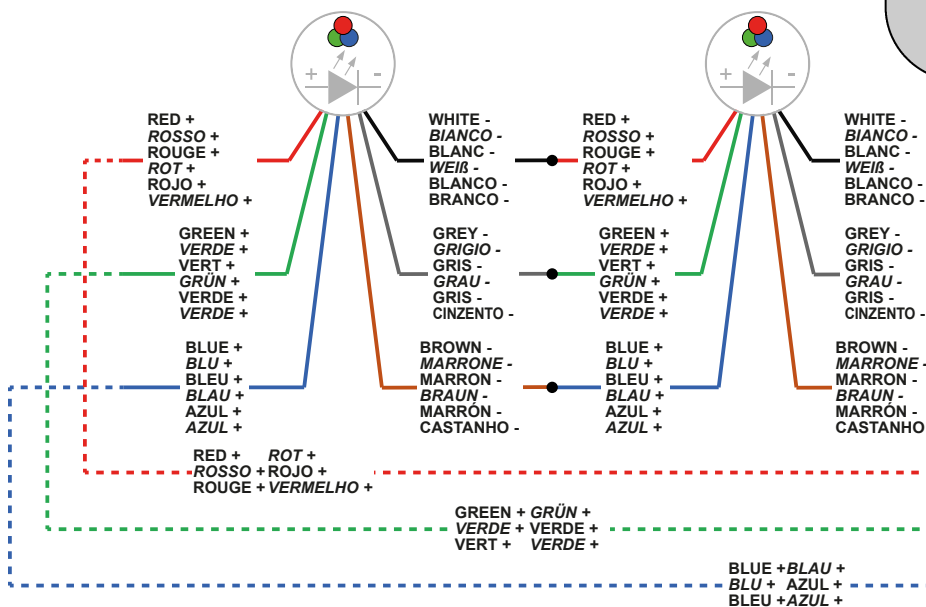


Max 6 Spot RGB
 3x2W
 ($V_{in} = 24$ Vdc)

Max 12 Spot RGB
 3x2W
 ($V_{in} = 48$ Vdc)



CONNECT IN SERIES



CONNECT THE SPOTLIGHTS AND THE PUSH BUTTONS BEFORE POWERING THE CONTROL DEVICE

USING WITH N.O. PUSH BUTTON

- PUSH** SHORT PRESS: switches the spotlights on/off.
- PUSH** LONG PRESS (>3 SEC): locks the sequence on the colour present at that time.
- PUSH** LONG PRESS (>3 SEC): restarts the sequence.

CYCLE TIME SELECTION (WITH DEVICE SWITCHED OFF)

- PUSH** LONG PRESS (WHEN SWITCHED OFF): choice of 4 levels of flashing LEDs, which stand for the cycle times:
 - fast flashing: 6 sec cycle
 - fast flashing 1: 30 sec cycle
 - fast flashing 2: 6 min cycle
 - slow flashing: 30 min cycle