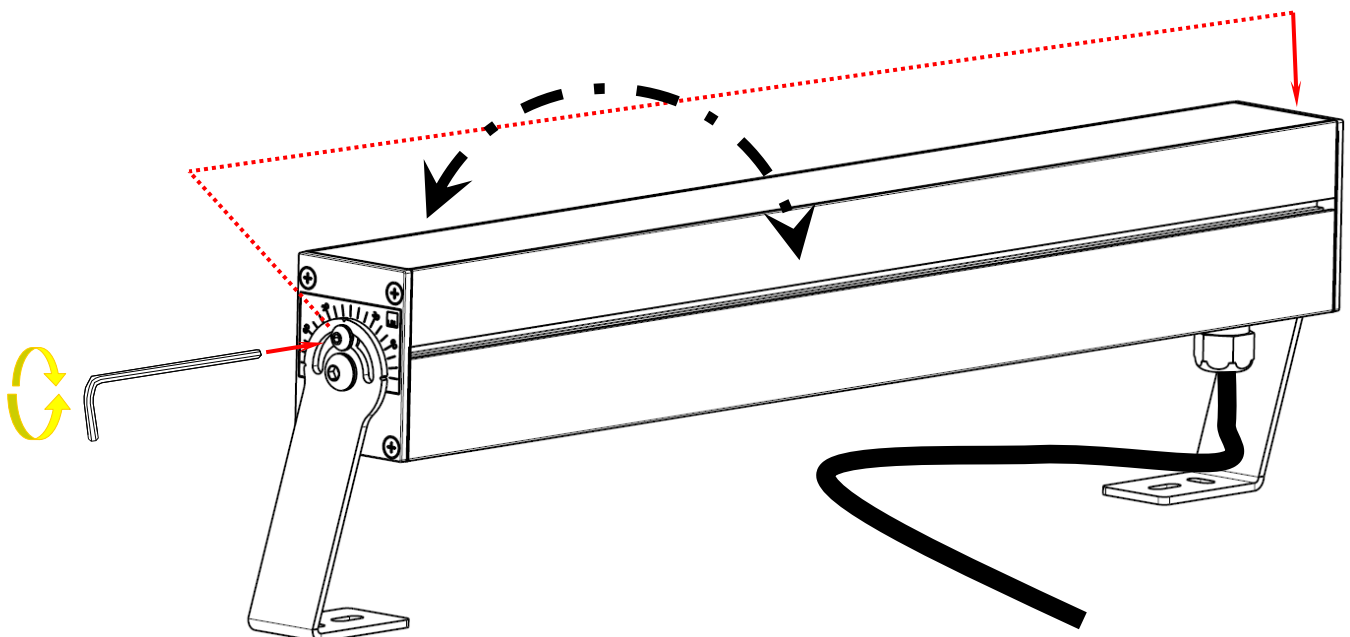
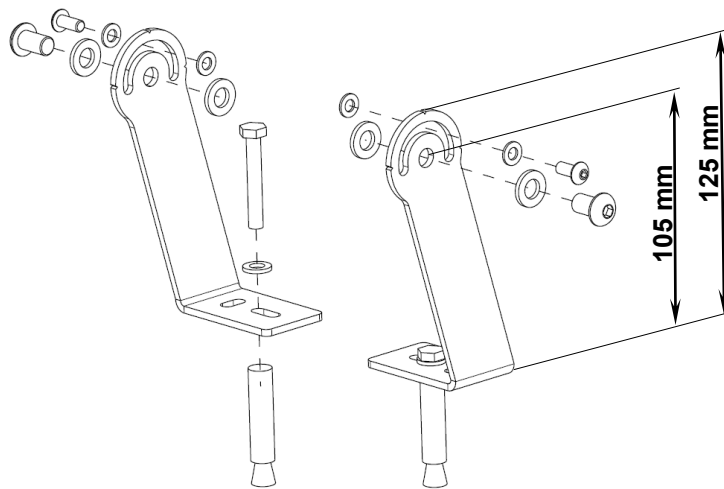


WM0811

- 1+1 River Wall brackets H= 125 mm / *Staffe River Wall H= 125 mm*
- 2 steel plug Ø10 mm / *tassello acciaio Ø10 mm*
- 2 stainless steel A4 hexagon head screw M6x50 / *vite TE M6x50 Inox A4*
- 2 stainless steel A2 washer Ø6,4 mm / *rondella Inox A2 Ø6,4 mm*
- 2 stainless steel A4 socket head screw M8x16 / *vite TBEI M8x16 Inox A4*
- 2 stainless steel A4 socket head screw M5x12 / *vite TBEI M5x12 Inox A4*
- 4 white nylon washer Ø8,4 mm / *rondella in nylon bianco Ø8,4 mm*
- 4 white nylon washer Ø5,3 mm / *rondella in nylon bianco Ø5,3 mm*



WM0812

1+1 River Wall brackets H= 275 mm / *Staffe River Wall H= 275 mm*
 2 steel plug Ø10 mm / *tassello acciaio Ø10 mm*
 2 stainless steel A4 hexagon head screw M6x50 / *vite TE M6x50 Inox A4*
 2 stainless steel A2 washer Ø6,4 mm / *rondella Inox A2 Ø6,4 mm*
 2 stainless steel A4 socket head screw M8x16 / *vite TBEI M8x16 Inox A4*
 2 stainless steel A4 socket head screw M5x12 / *vite TBEI M5x12 Inox A4*
 4 white nylon washer Ø8,4 mm / *rondella in nylon bianco Ø8,4 mm*
 4 white nylon washer Ø5,3 mm / *rondella in nylon bianco Ø5,3 mm*

