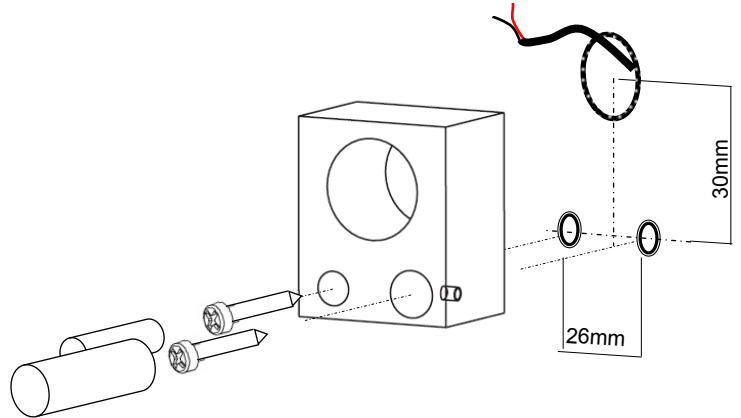
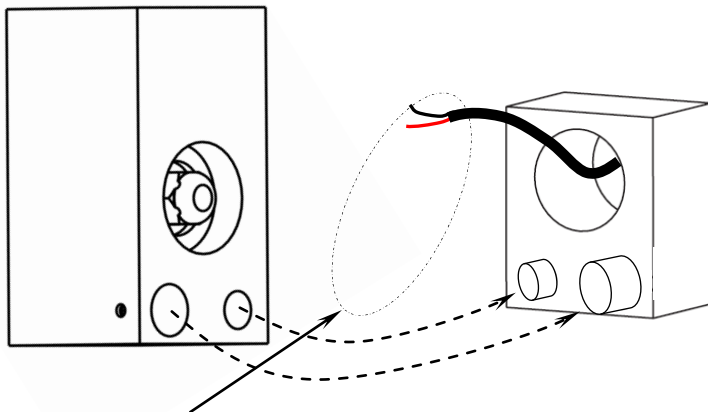


- WD0100** Aluminium
- WD0102** Cor-ten
- WD0103** White
- WD0104** Anthracite

1a



2a



Cablare con nastro autoagglomerante.
Wire connections must be realized with self amalgamating scotch or similar.

CONNETTERE RISPETTANDO LA POLARITA'
LED LIGHTS MUST BE CONNECTED
RESPECTING POLARITIES

- +** ROSSO-MARRONE-BIANCO
 RED-BROWN-WHITE
- NERO/BLU
 BLACK-BLUE

3a

