

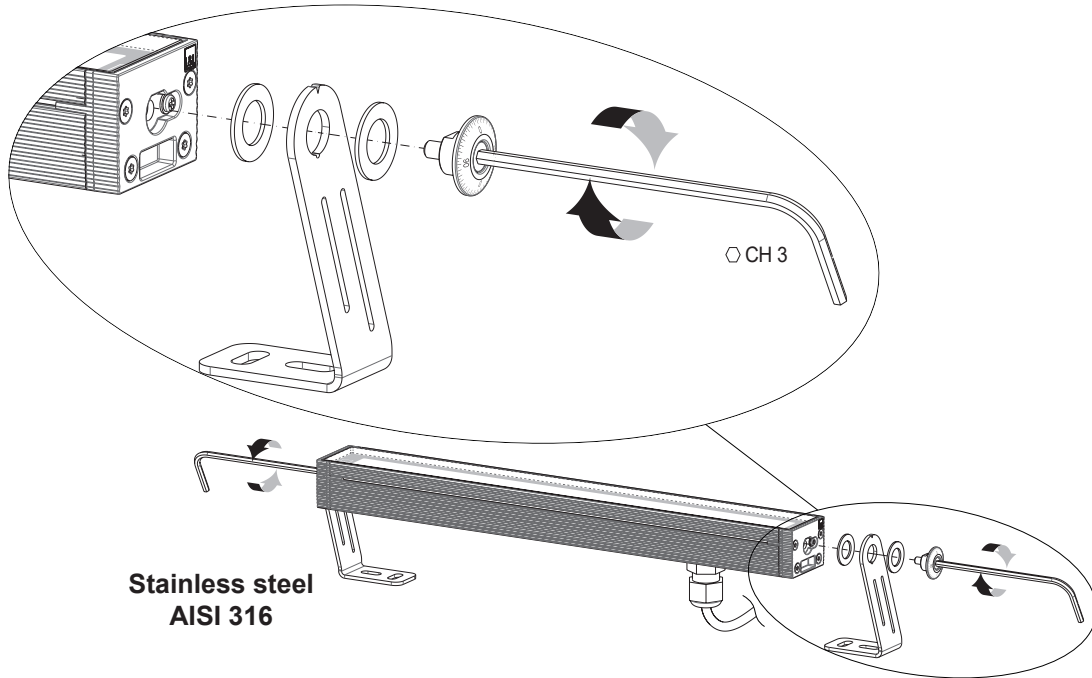


**WMA09N - WMA10N**

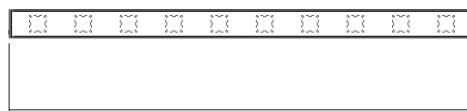
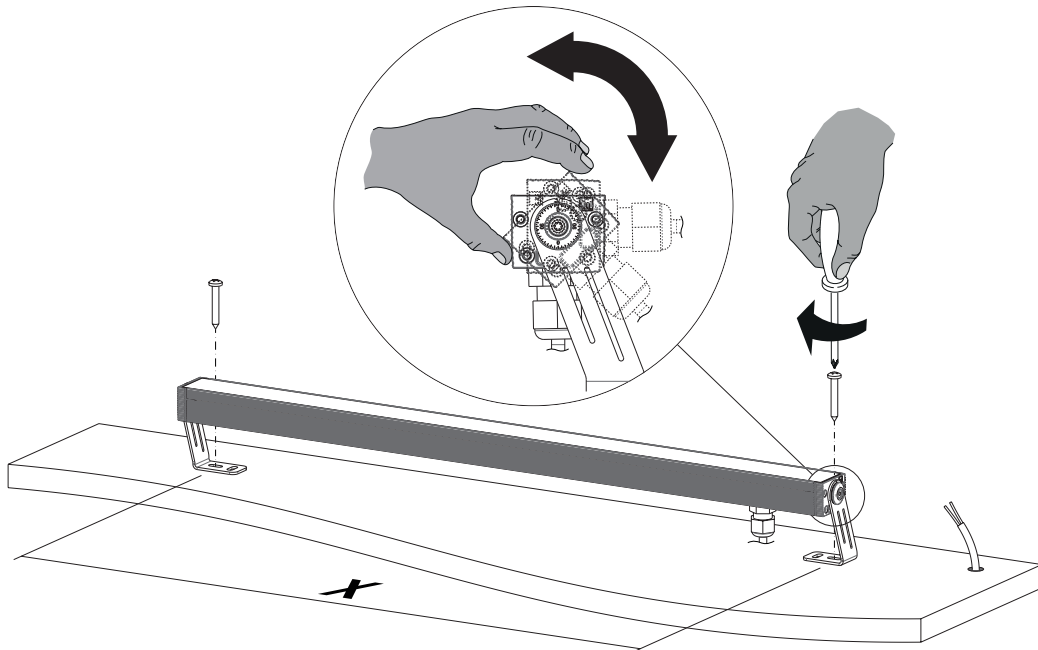
Accessories / Accessori / Accessoires / Zubehör / Accesorios



1



2



**L (all NEVA PRO products)**

**X= L-25mm**