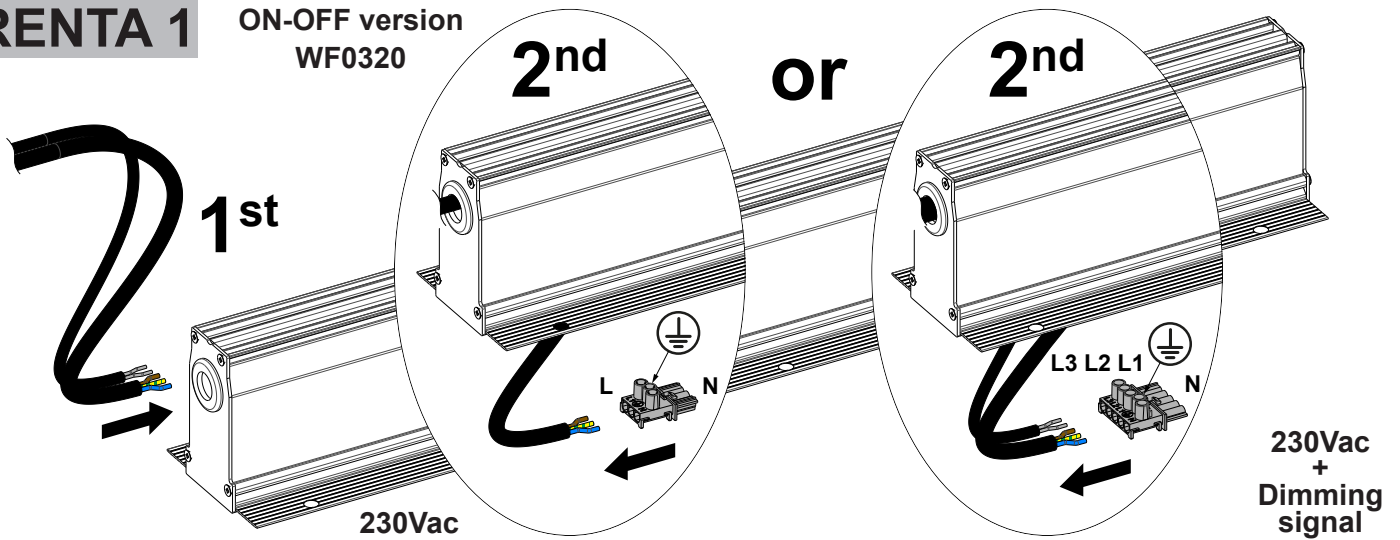




## BRENTA 1

ON-OFF version  
WF0320



### ON-OFF VERSION

N= blue / blu / bleu / Blau / azul

⊕= yellow green / giallo verde / jaune vert / Gelb Grün / amarillo verde

L= brown / marrone / marron / Braun / marrón

Sezione del cavo: 0.25+1.5 mm<sup>2</sup>

Wire cross-section: 0.25+1.5 mm<sup>2</sup>

### DIMMABLE VERSION

N= blue / blu / bleu / Blau / azul

⊕= yellow green / giallo verde / jaune vert / Gelb Grün / amarillo verde

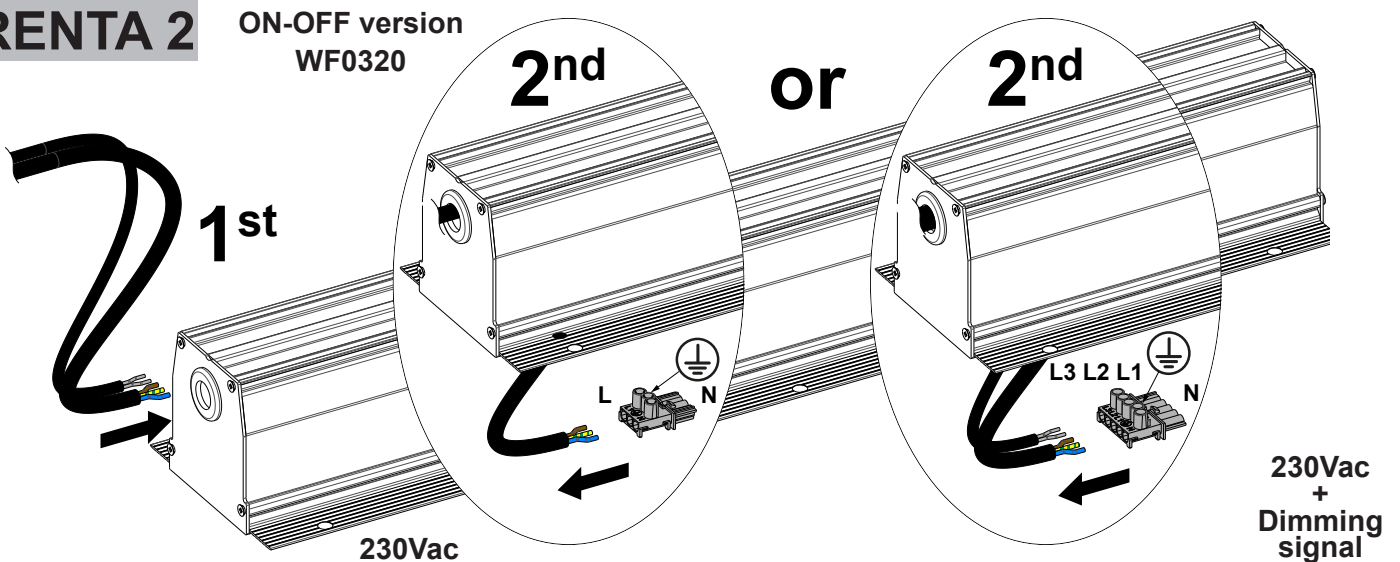
L1= brown / marrone / marron / Braun / marrón

L2= dimming signal 1 / segnale dimmerazione 1 / signal de gradation 1 / Dimmsignal 1 / señal de atenuación 1

L3= dimming signal 2 / segnale dimmerazione 2 / signal de gradation 2 / Dimmsignal 2 / señal de atenuación 2

## BRENTA 2

ON-OFF version  
WF0320



### ON-OFF VERSION

N= blue / blu / bleu / Blau / azul

⊕= yellow green / giallo verde / jaune vert / Gelb Grün / amarillo verde

L1= brown / marrone / marron / Braun / marrón

Sezione del cavo: 0.25+1.5 mm<sup>2</sup>

Wire cross-section: 0.25+1.5 mm<sup>2</sup>

### DIMMABLE VERSION

N= blue / blu / bleu / Blau / azul

⊕= yellow green / giallo verde / jaune vert / Gelb Grün / amarillo verde

L1= brown / marrone / marron / Braun / marrón

L2= dimming signal 1 / segnale dimmerazione 1 / signal de gradation 1 / Dimmsignal 1 / señal de atenuación 1

L3= dimming signal 2 / segnale dimmerazione 2 / signal de gradation 2 / Dimmsignal 2 / señal de atenuación 2