
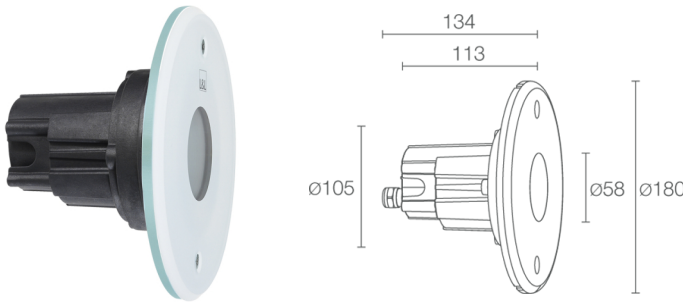
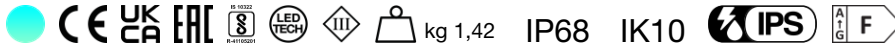


Made in Italy

 Moby 1.1, code: MY1100YSV
Recessed for underwater applications

04/07/2026 Rev. 13/2024



DESCRIPTION

recessed for underwater applications (suitable for use in seawater, only suitable for underwater applications); recessed (wall), max depth 10 m; Power consumption: 10W; Power supply: 24Vdc; Lumen output at source: cyan: 598 lm, G: 451 lm B: 147 lm; Delivered lumen output: cyan: 424 lm, G: 320 lm B: 104 lm; 1 cyan power LED group, 50 000h L90 B10 (Ta 25°C); LED colour: shades of cyan; Optics: 21°: optical system consisting of a high-efficiency, deep-set TIR lens combined with a high-quality technical filter; Body material: body made of heat-dissipating technopolymer with a thermal conductivity equal to that of stainless steel; Screen material: glass cover in 12-mm-thick, tempered extra-clear glass with vitrified serigraphy suitable for installations in seawater and guaranteeing resistance to corrosion and to knocks and scratches. Mixing chamber to ensure the light's chromatic uniformity.; power supply unit not included; includes 5 m FEP+RUB cable (equivalent to H05RN-F cable), 6x0,50 Ø6.3 mm; Ingress protection: IP68; Impact resistance: IK10; suitable for use in sea water; not suitable for use in swimming pools with liners; Casambi control using the Casambi app with dedicated electronics; Protection systems: IPS (Intelligent Protection System) protects lighting fixtures from water infiltrations, which can occur if there are faulty junctions between the cables in outdoor or underwater applications. This innovation, patented by L&L, also guarantees electrical protection against polarity reversal, hot plugging, ESD and power surges, which can occur if there are faults in the electrical circuit; Operating temperature: 0°C — +45°C (installation underwater); Glow wire test: 960°C; Photobiological safety: photobiological safety: risk group 1 according to EN 62471:2006; Appliance class: class III; Weight: 1420 g; Dimensions: Ø180x134 mm; Energy efficiency class: F (light source) in accordance with EU 2019/2015; Accessories: WC5201 Outer casing, WH0401 Honeycomb louvre ; tested and approved via E.O.L. (End Of Line) test with functioning test and check of electrical power consumption

Status: Available

ELECTRICAL CHARACTERISTICS

Power consumption	10W
Power supply	24Vdc
Power supply unit	power supply unit not included

LIGHTING CHARACTERISTICS

Number and type of LED	1 cyan power LED group
Average LED life	50 000h L90 B10 (Ta 25°C)
LED colour	shades of cyan
Optics	21°
Lumen output at source	cyan: 598 lm, G: 451 lm B: 147 lm
Delivered lumen output	cyan: 424 lm, G: 320 lm B: 104 lm

MECHANICAL CHARACTERISTICS

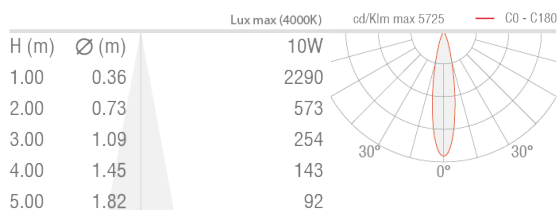
Dimensions	Ø180x134 mm
Weight	1420 g
Mounting	with outer casing
Body material	body in thermally conductive technopolymer
Screen material	glass cover with vitrified serigraphy

GENERAL CHARACTERISTICS

Ingress protection	IP68
Operating temperature	0°C — +45°C (installation underwater)
Impact resistance	IK10
Energy efficiency class	F (light source) in accordance with EU 2019/2015
Glow wire test	960°C
Appliance class	class III
Walkover	no
Drive-over	no
Power cables	includes 5 m FEP+RUB cable (equivalent to H05RN-F cable), 6x0,50 Ø6.3 mm
Protection systems	IPS (Intelligent Protection System)
Photobiological safety	photobiological safety: risk group 1 according to EN 62471:2006
Notes	suitable for use in sea water; not suitable for use in swimming pools with liners; Casambi control using the Casambi app with dedicated electronics

PHOTOMETRIC DATA

S – 21°



ACCESSORIES

Installation Accessories



WC5201
Outer casing

Anti-glare



WH0401
Honeycomb louvre
built into the lighting fixture
Order together with the lighting fixture

L&L Luce&Light SRL reserves the right to change the information contained in this document at any time without prior notice being given.