
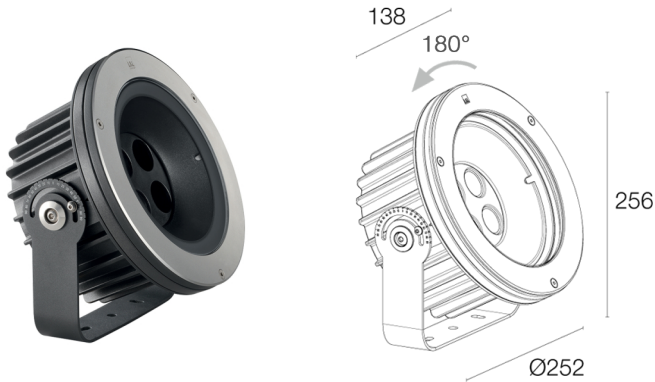
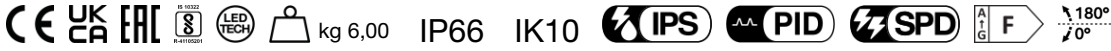


Made in Italy

 **Stra P 1.0, code: PS10101FMH**  
Projectors for outdoor applications

28/06/2026 Rev. 09/2024



## DESCRIPTION

projector for outdoor applications; surface mounted (ceiling, wall, floor); Power consumption: 37W; Power supply: 230Vac; Lumen output at source: 3152 lm (3000K, CRI >90); Delivered lumen output: 1619 lm (3000K, 30°, CRI >90); 4 high-intensity power LEDs, 3-step MacAdam, 50 000h L90 B10 (Ta 25°C); LED colour: 2700K; Optics: 30°: optical system consisting of a high-efficiency, deep-set TIR lens combined with a high-quality technical filter; CRI Colour Rendering Index: >90; Body material: body made of die-cast aluminium. Trim in AISI 316L stainless steel, made with a CNC lathe then micro-peened, passivated and electropolished to guarantee excellent corrosion resistance. Bracket in AISI 316L stainless steel, tumble finished and painted; Finishes: die-cast body painted anthracite with an initial treatment of a ceramic nanoparticle coating, as surface preparation for painting, followed by a coat of epoxy paint and one of polyester paint to provide corrosion resistance of more than 1500 hours of salt spray. Paints compliant with the Qualicoat standard (automotive standard); Screen material: 15-mm-thick tempered, transparent extra-clear glass, with vitrified serigraphy, to ensure chromatic uniformity of light and excellent resistance to knocks and scratches; built-in power supply unit; includes 1.5 m neoprene cable H05RN-F 3x1,0 Ø7 mm; Control system: ON/OFF; Ingress protection: IP66; Impact resistance: IK10; 66°x11° optics adjustable through 360° using the magnet provided; DALI version available on request; Protection systems: IPS (Intelligent Protection System) protects lighting fixtures from water infiltrations, which can occur if there are faulty junctions between the cables in outdoor or underwater applications. This innovation, patented by L&L, also guarantees electrical protection against polarity reversal, hot plugging, ESD and power surges, which can occur if there are faults in the electrical circuit; The PID (Protective Impedance Device) protects lighting fixtures from electrical phenomena external to the system, such as static electricity accumulation or electromagnetic interference coming from the mains power. Generally, these are events with a low energy content; The SPD (Surge Protection Device) protects lighting fixtures from electrical phenomena external to the system, such as power surges. In particular, this device is specifically for protection against serious events with a high energy content; Operating temperature: -20°C — +45°C; Glow wire test: 960°C; Photobiological safety: photobiological safety: risk group 1 according to EN 62471:2006; Appliance class: class I; Weight: 6000 g; Dimensions: Ø252x138 mm; Energy efficiency class: F (light source) in accordance with EU 2019/2015; Accessories: WH0610 Honeycomb louvre, WN7100 Anti-fall kit; tested and approved via E.O.L. (End Of Line) test with functioning test and check of electrical power consumption

Status: Available

**ELECTRICAL CHARACTERISTICS**

Power consumption	37W
Power supply	230Vac
Power supply unit	built-in power supply unit
Control system	ON/OFF

**LIGHTING CHARACTERISTICS**

Number and type of LED	4 high-intensity power LEDs
Average LED life	50 000h L90 B10 (Ta 25°C)
LED colour	2700K
CRI Colour Rendering Index	>90
Binning	3-step MacAdam
Optics	30°
Lumen output at source	3152 lm (3000K, CRI >90)
Delivered lumen output	1619 lm (3000K, 30°, CRI >90)

**MECHANICAL CHARACTERISTICS**

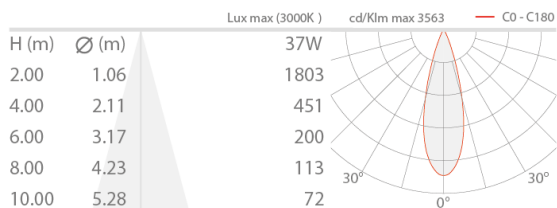
Dimensions	Ø252x138 mm
Weight	6000 g
Finishes	anthracite
Mounting	with screws and plugs
Body material	body in die-cast aluminium, trim in AISI 316L stainless steel
Screen material	screen in serigraphed, transparent, tempered extra-clear glass

**GENERAL CHARACTERISTICS**

Ingress protection	IP66
Operating temperature	-20°C – +45°C
Impact resistance	IK10
Features	66°x11° optics adjustable through 360° using the magnet provided
Energy efficiency class	F (light source) in accordance with EU 2019/2015
Glow wire test	960°C
Appliance class	class I
Walkover	no
Drive-over	no
Power cables	includes 1.5 m neoprene cable H05RN-F 3x1,0 Ø7 mm
Protection systems	IPS (Intelligent Protection System); PID (Protective Impedance Device); SPD (Surge Protection Device)
Photobiological safety	photobiological safety: risk group 1 according to EN 62471:2006
Notes	DALI version available on request

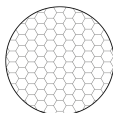
## PHOTOMETRIC DATA

M - 30° CRI 80



## ACCESSORIES

### Anti-glare



#### WH0610

Honeycomb louvre

built into the lighting fixture

The honeycomb louvre can be fitted on all fixed optics except for 66°x11° optics

Order together with the lighting fixture

### Other



#### WN7100

Anti-fall kit

L&L Luce&Light SRL reserves the right to change the information contained in this document at any time without prior notice being given.