
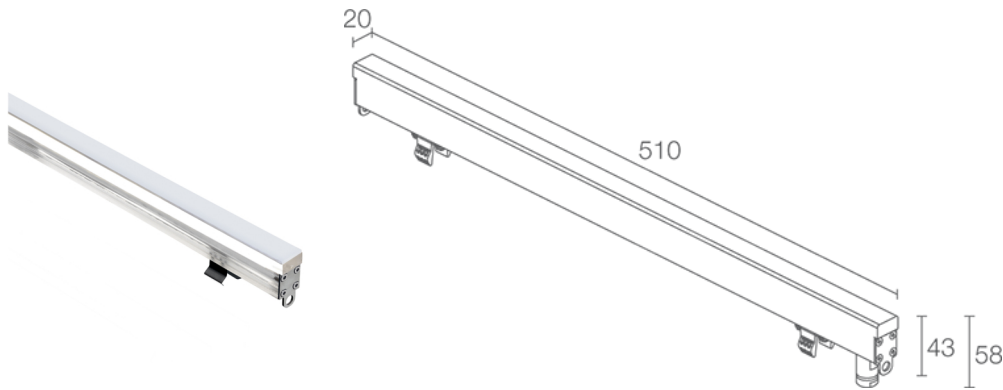
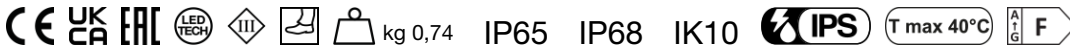


Made in Italy

 **Rio Sub 1.1, code: RS11005DB**  
Linear profiles for outdoor and underwater applications

16/05/2026 Rev. 08/2024



## DESCRIPTION

linear profile for outdoor and underwater applications; walkover; recessed (wall, ground), max depth 10 m; Power consumption: 6W; Power supply: 24Vdc; Lumen output at source: 672 lm (2800K); Delivered lumen output: 140 lm (2800K); 48 low-power SMD LEDs, 3-step MacAdam, 50 000h L95 B10 (Ta 25°C); LED colour: 2800K; Optics: diffuse: optical system consisting of light sources placed in a line on a rigid electronic circuit; CRI Colour Rendering Index: 80; Body material: body and screen made of co-extruded opal PMMA to provide high strength combined with high aesthetics. Caps in AISI 316L stainless steel and screws in A4 stainless steel; Seals: silicone rubber O-rings with anti-ageing treatment for an excellent mechanical seal; power supply unit not included; includes 5 m neoprene cable, H05RN-F 2x1,00 Ø6.8 mm; Ingress protection: IP65, IP68; Impact resistance: IK10; not suitable for use in swimming pools with liners; Casambi control using the Casambi app with dedicated electronics; Protection systems: IPS (Intelligent Protection System) protects lighting fixtures from water infiltrations, which can occur if there are faulty junctions between the cables in outdoor or underwater applications. This innovation, patented by L&L, also guarantees electrical protection against polarity reversal, hot plugging, ESD and power surges, which can occur if there are faults in the electrical circuit; Operating temperature: -20°C — +45°C (installation outdoors), 0°C — +45°C (installation underwater); Maximum device temperature: 40°C (Ta 25°C); Photobiological safety: photobiological safety: risk group 1 according to EN 62471:2006; Appliance class: class III; Weight: 740 g; Dimensions: 510x20x58 mm; Energy efficiency class: F (light source) in accordance with EU 2019/2015; Accessories: WC8551 Stainless steel outer casing - 545 mm; tested and approved via E.O.L. (End Of Line) test with functioning test and check of electrical power consumption

Status: Available

### ELECTRICAL CHARACTERISTICS

Power consumption	6W
Power supply	24Vdc
Power supply unit	power supply unit not included

### LIGHTING CHARACTERISTICS

Number and type of LED	48 low-power SMD LEDs
Average LED life	50 000h L95 B10 (Ta 25°C)
LED colour	2800K
CRI Colour Rendering Index	80
Binning	3-step MacAdam
Optics	diffuse
Lumen output at source	672 lm (2800K)
Delivered lumen output	140 lm (2800K)

### MECHANICAL CHARACTERISTICS

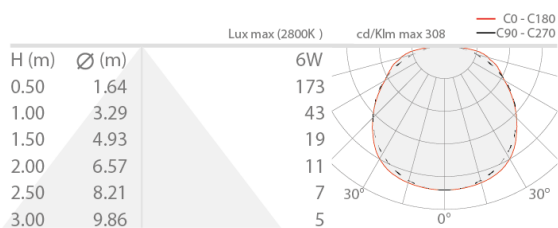
Dimensions	510x20x58 mm
Weight	740 g
Mounting	with outer casing
Body material	body in PMMA, screen in opal PMMA, end caps in AISI 316L stainless steel

### GENERAL CHARACTERISTICS

Ingress protection	IP65, IP68
Operating temperature	-20°C — +45°C (installation outdoors), 0°C — +45°C (installation underwater)
Impact resistance	IK10
Energy efficiency class	F (light source) in accordance with EU 2019/2015
Maximum device temperature	40°C (Ta 25°C)
Appliance class	class III
Walkover	yes
Drive-over	no
Power cables	includes 5 m neoprene cable, H05RN-F 2x1,00 Ø6.8 mm
Protection systems	IPS (Intelligent Protection System)
Photobiological safety	photobiological safety: risk group 1 according to EN 62471:2006
Notes	not suitable for use in swimming pools with liners; Casambi control using the Casambi app with dedicated electronics

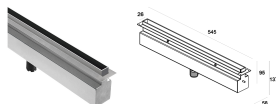
## PHOTOMETRIC DATA

## D – Diffuse



## ACCESSORIES

## Installation Accessories



## WC851

Stainless steel outer casing - 545 mm

L&L Luce&Light SRL reserves the right to change the information contained in this document at any time without prior notice being given.