
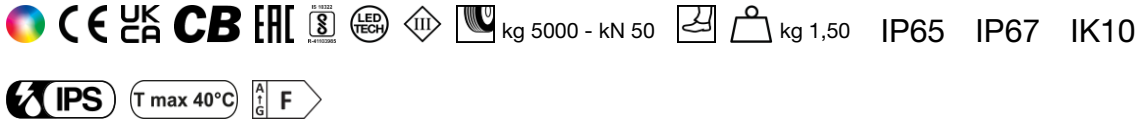
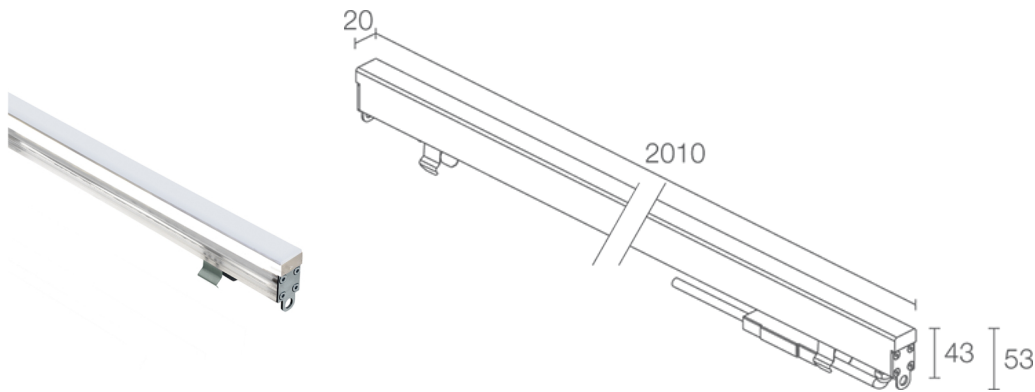


Made in Italy

 Rio 1.4, code: RE14007DB  
Linear profiles for outdoor applications



23/05/2026 Rev. 25/2024



## DESCRIPTION

linear profile for outdoor applications; drive-over up to 5000 kg; walkover; recessed (ceiling, wall, floor); Power consumption: 46W; Power supply: 24Vdc; Lumen output at source: RGBW: 2308 lm, R: 305 lm G: 712 lm B: 139 lm W: 1152 lm (3000K); Delivered lumen output: RGBW: 720 lm, R: 112 lm G: 256 lm B: 48 lm W: 416 lm (3000K); 576 SMD LED full colour + LED white, 50 000h L95 B10 (Ta 25°C); LED colour: RGBW; Optics: diffuse; Body material: body and screen made of co-extruded opal PMMA to provide high strength combined with high aesthetics. Caps in AISI 316L stainless steel and screws in A4 stainless steel; Seals: silicone rubber O-rings with anti-ageing treatment for an excellent mechanical seal; power supply unit not included; includes 1.50 m FEP+RUB cable (equivalent to H05RN-F) 6x0.50/0.50 Ø6.3 mm; Ingress protection: IP65, IP67; Impact resistance: IK10; drive-over up to 5000 kg with aluminium casing, drive-over up to 500 kg with stainless steel casing. Non-standard lengths available on request; Casambi control using the Casambi app with dedicated electronics; Protection systems: IPS (Intelligent Protection System) protects lighting fixtures from water infiltrations, which can occur if there are faulty junctions between the cables in outdoor or underwater applications. This innovation, patented by L&L, also guarantees electrical protection against polarity reversal, hot plugging, ESD and power surges, which can occur if there are faults in the electrical circuit; Operating temperature: -20°C — +45°C; Maximum device temperature: 40°C (Ta 25°C); Photobiological safety: photobiological safety: risk group 1 according to EN 62471:2006; Appliance class: class III; Weight: 1500 g; Dimensions: 2010x20x43 mm; Energy efficiency class: F (light source) in accordance with EU 2019/2015; Accessories: WC8114 Aluminium outer casing - 2015 mm, WC8154 Stainless steel outer casing - 2014 mm, WC8314 Aluminium outer casing for plasterboard - 2015 mm, WN6005 Alignment kit for outer casing, WN6006 Pair of extractors for outer casings, WN8003 U-shaped brackets pair, WN8011 Alignment kit for stainless steel outer casings, WN8101 Anti-fall kit; tested and approved via E.O.L. (End Of Line) test with functioning test and check of electrical power consumption

Status: Available

### ELECTRICAL CHARACTERISTICS

Power consumption	46W
Power supply	24Vdc
Power supply unit	power supply unit not included

### LIGHTING CHARACTERISTICS

Number and type of LED	576 SMD LED full colour + LED white
Average LED life	50 000h L95 B10 (Ta 25°C)
LED colour	RGBW
Optics	diffuse
Lumen output at source	RGBW: 2308 lm, R: 305 lm G: 712 lm B: 139 lm W: 1152 lm (3000K)
Delivered lumen output	RGBW: 720 lm, R: 112 lm G: 256 lm B: 48 lm W: 416 lm (3000K)

### MECHANICAL CHARACTERISTICS

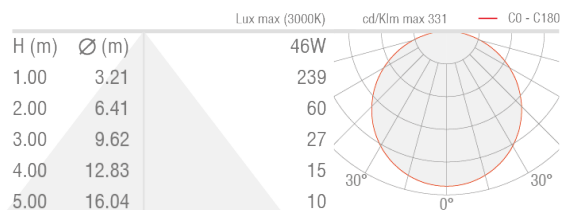
Dimensions	2010x20x43 mm
Weight	1500 g
Mounting	with outer casing
Body material	body in PMMA, screen in opal PMMA, end caps in AISI 316L stainless steel

### GENERAL CHARACTERISTICS

Ingress protection	IP65, IP67
Operating temperature	-20°C — +45°C
Impact resistance	IK10
Energy efficiency class	F (light source) in accordance with EU 2019/2015
Maximum device temperature	40°C (Ta 25°C)
Appliance class	class III
Walkover	yes
Drive-over	up to 5000 kg
Power cables	includes 1.50 m FEP+RUB cable (equivalent to H05RN-F) 6x0.50/0.50 Ø6.3 mm
Protection systems	IPS (Intelligent Protection System)
Photobiological safety	photobiological safety: risk group 1 according to EN 62471:2006
Notes	drive-over up to 5000 kg with aluminium casing, drive-over up to 500 kg with stainless steel casing. Non-standard lengths available on request; Casambi control using the Casambi app with dedicated electronics

## PHOTOMETRIC DATA

D – Diffuso



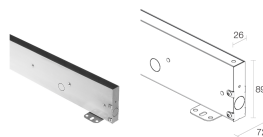
## ACCESSORIES

### Installation Accessories



**WC8114**

Aluminium outer casing - 2015 mm  
drive-over: kg 5000 / kN 50



**WC8154**

Stainless steel outer casing - 2014 mm  
drive-over: kg 500 / kN 5



**WC8314**

Aluminium outer casing for plasterboard - 2015 mm

### Other



**WN6005**

Alignment kit for outer casing



**WN6006**

Pair of extractors for outer casings



**WN8003**

U-shaped brackets pair



**WN8011**

Alignment kit for stainless steel outer casings



**WN8101**  
Anti-fall kit

L&L Luce&Light SRL reserves the right to change the information contained in this document at any time without prior notice being given.