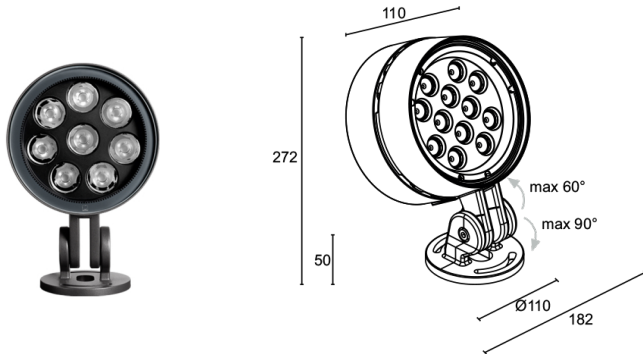


Made in Italy

 **Oliver 1.0, code: LV10110D00N0LH-1**
Projectors for outdoor applications, urban lighting

30/05/2026 Rev. 71



DESCRIPTION

projector for outdoor applications; surface mounted (ceiling, wall, floor); Power consumption: 37W; Power supply: 230Vac; Lumen output at source: 3957 lm (3000K, 37W); Delivered lumen output: 3300 lm (3000K, 10°, 37W); 12 power LEDs, 2-step MacAdam, 60 000h L80 B10 (Ta 25°C); LED colour: 2200K; Optics: 31°; CRI Colour Rendering Index: 80; Body material: body and bracket made of low-copper-content die-cast aluminium alloy EN AB 47100 for excellent resistance to corrosion.; Finishes: anthracite finish obtained through an initial treatment with a ceramic nanoparticle coating, to prepare for painting, followed by a coat of epoxy paint and one of polyester paint to provide corrosion resistance of more than 1500 hours of salt spray. Paints compliant with the Qualicoat standard used in the automotive sector; RAL finish on request; Screen material: 8-mm-thick transparent extra-clear glass with grey vitrified serigraphy, high transmittance to ensure chromatic uniformity of light and tempered for excellent resistance to knocks and scratches; Installation: body can be tilted along the horizontal axis by 150°; built-in power supply unit; includes 5 m neoprene cable H05RN-F 2x0,75 Ø6,3 mm; Control system: DALI-2; Ingress protection: IP66; Impact resistance: IK09; Protection systems: The SPD (Surge Protection Device) protects lighting fixtures from electrical phenomena external to the system, such as power surges. In particular, this device is specifically for protection against serious events with a high energy content; Operating temperature: -20°C — +50°C; Glow wire test: 850°C; Photobiological safety: in accordance with IEC TR 62778:2014; Appliance class: class II; Weight: 4000 g; Dimensions: Ø180x272x119 mm; Energy efficiency class: F (light source) in accordance with EU 2019/2015; Accessories: WBA18H Standard snoot - anthracite, WBA19H Asymmetrical snoot - anthracite, WPA12H Flange for pole installation Ø60 mm - anthracite, WPA13H Flange for pole installation Ø89 mm - anthracite; tested and approved via E.O.L. (End Of Line) test with functioning test and check of electrical power consumption

Status: Available

ELECTRICAL CHARACTERISTICS

Power consumption	37W
Power supply	230Vac
Power supply unit	built-in power supply unit
Control system	DALI-2

LIGHTING CHARACTERISTICS

Number and type of LED	12 power LEDs
Average LED life	60 000h L80 B10 (Ta 25°C)
LED colour	2200K
CRI Colour Rendering Index	80
Binning	2-step MacAdam
Optics	31°
Lumen output at source	3957 lm (3000K, 37W)
Delivered lumen output	3300 lm (3000K, 10°, 37W)

MECHANICAL CHARACTERISTICS

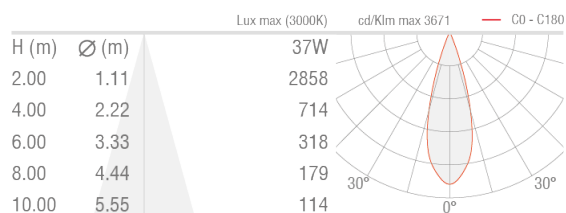
Dimensions	Ø180x272x119 mm
Weight	4000 g
Finishes	anthracite
Mounting	with screws and plugs
Body material	body and arm in Anticorodal aluminium
Screen material	screen in serigraphed, transparent, tempered extra-clear glass

GENERAL CHARACTERISTICS

Ingress protection	IP66
Operating temperature	-20°C — +50°C
Impact resistance	IK09
Energy efficiency class	F (light source) in accordance with EU 2019/2015
Glow wire test	850°C
Appliance class	class II
Walkover	no
Drive-over	no
Power cables	includes 5 m neoprene cable H05RN-F 2x0,75 Ø6,3 mm
Protection systems	SPD (Surge Protection Device)
Photobiological safety	in accordance with IEC TR 62778:2014

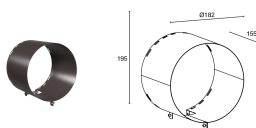
PHOTOMETRIC DATA

L – 31°

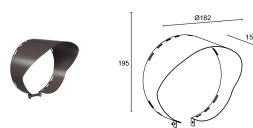


ACCESSORIES

Anti-glare

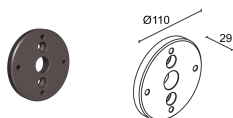


WBA18H
Standard snoot - anthracite

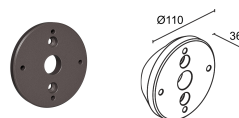


WBA19H
Asymmetrical snoot - anthracite

Other



WPA12H
Flange for pole installation Ø60 mm - anthracite



WPA13H
Flange for pole installation Ø89 mm - anthracite

L&L Luce&Light SRL reserves the right to change the information contained in this document at any time without prior notice being given.