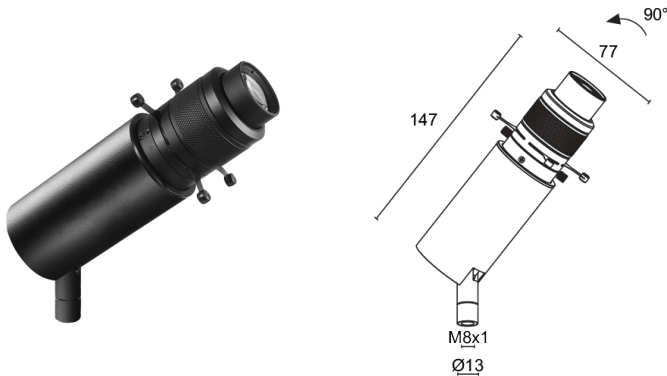


Made in Italy



Krill 4.5, code: KI452010005R9N
Projectors for indoor applications



DESCRIPTION

projector for indoor applications; surface mounted (shop windows, display cabinets, shelves, ceiling, wall); Power consumption: max 9W; Power supply: max 250mA; Lumen output at source: 893 lm; Delivered lumen output: 315lm (3000K, 54°); 1 COB LED, 2-step MacAdam, 60 000h L90 B10 (Ta 25°C); LED colour: 3000K; Optics: Light Shaper; CRI Colour Rendering Index: >90; Body material: body made of ANTICORODAL EN AW 6026 low-copper-content aluminium alloy for excellent resistance to corrosion, made entirely on a CNC lathe. Joint made of brass and produced entirely on a CNC lathe.; Finishes: Cylindrical cover and joint painted black, radiator electro-coloured black (RAL 9005); RAL finish on request; Installation: versatile installation thanks to its accessories: arm with fixing base, nipple coupler, magnetic plate, fixing springs and ceiling rose; power supply unit not included; Wiring: series; includes 1.50 m PVC cable FROR 2x0.35 Ø3.5 mm; Control system: ON/OFF; Ingress protection: IP40; Casambi-compatible version, controllable with the Casambi app, available on request; Operating temperature: 0°C — +45°C; Glow wire test: 960°C; Photobiological safety: photobiological safety: risk group 1 according to EN 62471:2006; Appliance class: class III; Weight: 400 g; Dimensions: ø45x146 mm; Energy efficiency class: F (light source) in accordance with EU 2019/2015; Accessories: WDA06N Fixing base, WDA07N Magnetic plate, WDA08N Rigid arm - h 150 mm, WDA09N Rigid arm - h 300 mm, WDA10N Ceiling rose, WF0110 PVC cable FROR 2x0,35 Ø3,5 mm, WGA01 Nipple coupler, WGA09N Retaining spring clip Ø45mm; tested and approved via E.O.L. (End Of Line) test with functioning test and check of electrical power consumption

Status: Available

ELECTRICAL CHARACTERISTICS

Power consumption	max 9W
Power supply	max 250mA
Power supply unit	power supply unit not included
Control system	ON/OFF
Wiring	series

LIGHTING CHARACTERISTICS

Number and type of LED	1 COB LED
Average LED life	60 000h L90 B10 (Ta 25°C)
LED colour	3000K
CRI Colour Rendering Index	>90
Binning	2-step MacAdam
Optics	Light Shaper
Lumen output at source	893 lm
Delivered lumen output	315lm (3000K, 54°)

MECHANICAL CHARACTERISTICS

Dimensions	ø45x146 mm
Weight	400 g
Finishes	black RAL 9005
Body material	body in anticorodal aluminium, joint in brass

GENERAL CHARACTERISTICS

Ingress protection	IP40
Operating temperature	0°C — +45°C
Energy efficiency class	F (light source) in accordance with EU 2019/2015
Glow wire test	960°C
Appliance class	class III
Walkover	no
Drive-over	no
Power cables	includes 1.50 m PVC cable FROR 2x0.35 Ø3.5 m
Photobiological safety	photobiological safety: risk group 1 according to EN 62471:2006
Notes	Casambi-compatible version, controllable with the Casambi app, available on request

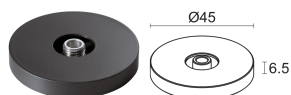
PHOTOMETRIC DATA

SHAPER



ACCESSORIES

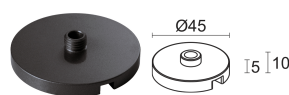
Installation Accessories



WDA06N

Fixing base
black

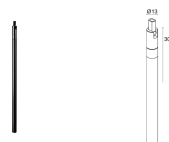
Required installation accessories, not included



WDA07N

Magnetic plate
black

Required installation accessories, not included



WDA08N

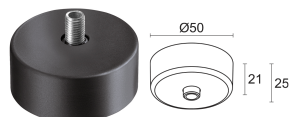
Rigid arm - h 150 mm
black

Order together with the fixing base or the nipple

WDA09N

Rigid arm - h 300 mm
black

Order together with the fixing base or the nipple



WDA10N

Ceiling rose
black

Required installation accessories, not included



WGA09N

Retaining spring clip Ø45mm
black

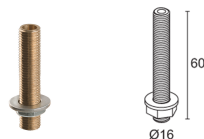
Required installation accessories, not included

Other

WF0110

PVC cable FROR 2x0,35 Ø3,5 mm
your choice of length

To be ordered by meter for lengths other than the standard one (1.5 m)



WGA01

Nipple coupler

Required installation accessories, not included

L&L Luce&Light SRL reserves the right to change the information contained in this document at any time without prior notice being given.