


Made in Italy

 **Goccia 1.5, code: GA1500000050DR**
Step lights for outdoor applications

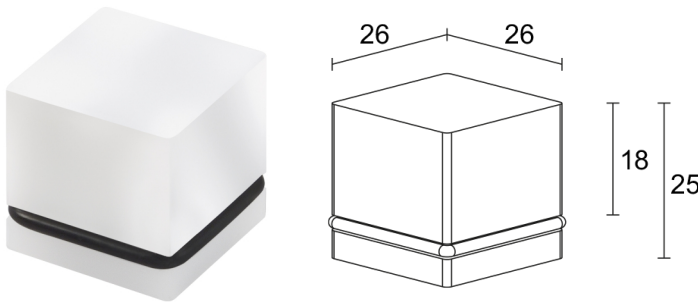
25/05/2026 Rev. 04/2024







 kg 0.060
  IP65
  IP68
  IK10
  T max 40°C
  F



DESCRIPTION

step light for outdoor applications (not suitable for use in immersion in swimming pools or fountains); walkover; recessed (wall, floor); Power consumption: 1,5W; Power supply: 12-24Vdc; Lumen output at source: 50 lm (3000K); Delivered lumen output: 14 lm (3000K); 1 mid-power LED, 3-step MacAdam, 60 000h L80 B10 (Ta 25°C); LED colour: 3000K; Optics: diffuse: uniform diffuse output obtained through a mixing chamber built into the polyurethane resin body; CRI Colour Rendering Index: 80; Body material: moulded polyurethane resin body. Internal aluminium heat sink. Nitril rubber O-ring to seal the outer casing; Seals: The NBR nitrile rubber O-rings ensure the fixture's IP rating is preserved, guaranteeing continued protection; power supply unit not included; includes 1.50 m neoprene cable, 05RN-F 2x0.35 Ø4.6 mm; Ingress protection: IP65, IP68; Impact resistance: IK10; Casambi control using the Casambi app with dedicated electronics; Operating temperature: -20°C — +45°C; Maximum device temperature: 40°C (Ta 25°C); Glow wire test: 960°C; Photobiological safety: in accordance with IEC TR 62778:2014; Appliance class: class III; Weight: 65 g; Dimensions: 26x26x25 mm; Volume of thermal heatsink: Ø55x70 mm; Energy efficiency class: F (light source) in accordance with EU 2019/2015; Accessories: WCA12 Outer casing for solid walls, WCA30 Outer casing for plasterboard; tested and approved via E.O.L. (End Of Line) test with functioning test and check of electrical power consumption

Status: Available

ELECTRICAL CHARACTERISTICS

Power consumption	1,5W
Power supply	12-24Vdc
Power supply unit	power supply unit not included

LIGHTING CHARACTERISTICS

Number and type of LED	1 mid-power LED
Average LED life	60 000h L80 B10 (Ta 25°C)
LED colour	3000K
CRI Colour Rendering Index	80
Binning	3-step MacAdam
Optics	diffuse
Lumen output at source	50 lm (3000K)
Delivered lumen output	14 lm (3000K)

MECHANICAL CHARACTERISTICS

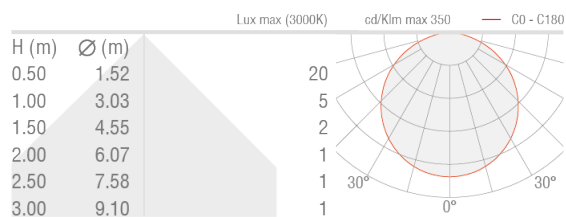
Dimensions	26x26x25 mm
Weight	65 g
Mounting	with outer casing
Body material	resin body
Volume of thermal heatsink	Ø55x70 mm

GENERAL CHARACTERISTICS

Ingress protection	IP65, IP68
Operating temperature	-20°C – +45°C
Impact resistance	IK10
Energy efficiency class	F (light source) in accordance with EU 2019/2015
Glow wire test	960°C
Maximum device temperature	40°C (Ta 25°C)
Appliance class	class III
Walkover	yes
Drive-over	no
Power cables	includes 1.50 m neoprene cable, 05RN-F 2x0.35 Ø4.6 mm
Photobiological safety	in accordance with IEC TR 62778:2014
Notes	Casambi control using the Casambi app with dedicated electronics

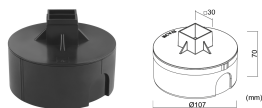
PHOTOMETRIC DATA

D – Diffuso

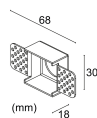


ACCESSORIES

Installation Accessories



WCA12
Outer casing for solid walls



WCA30
Outer casing for plasterboard

L&L Luce&Light SRL reserves the right to change the information contained in this document at any time without prior notice being given.