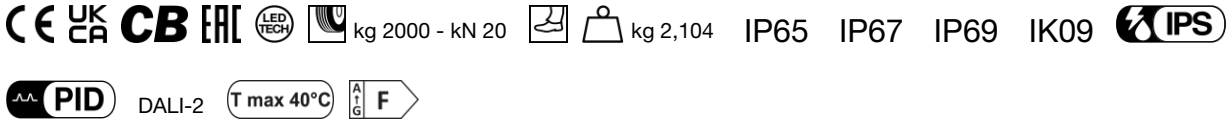
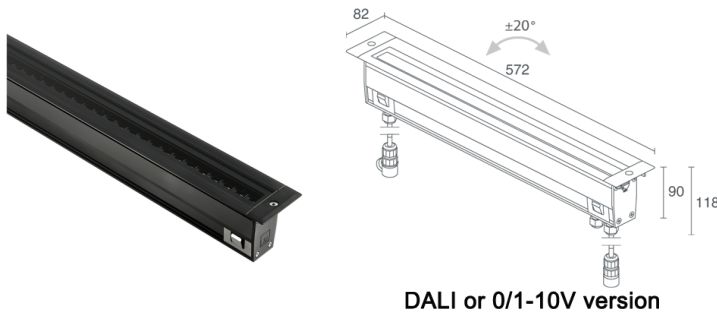


Made in Italy

Tago 1.1, code: TG11100D0150LN
Linear profiles for outdoor applications



13/12/2025 Rev. 09/2024



DESCRIPTION

linear profile for outdoor applications; drive-over up to 2000 kg; walkover; recessed (floor); Power consumption: 24W; Power supply: 230Vac; Lumen output at source: 2984 lm (3000K); Delivered lumen output: 1864 lm (3000K, 29°); 24 SMD LEDs, 2-step MacAdam, 60 000h L80 B10 (Ta 25°C); LED colour: 3000K; Optics: 29° tiltable $\pm 20^\circ$; optical system composed of a series of equidistant tiltable light sources, 20.83 mm apart. Fitted with locking screw. The deep-set PMMA TIR lens guarantees high-quality light emission and visual comfort; CRI Colour Rendering Index: 80; Body material: body made of Anticorodal® low-copper-content aluminium EN AW 6060 T5 for excellent heat dissipation, manufactured from an extruded profile and subjected to a deep black electro-colouring process (between 10 and 15 microns) for excellent corrosion resistance. Caps made of black-painted (RAL 9005 matt) technopolymer for greater resistance to corrosion and atmospheric agents; Finishes: black anodized aluminium finish obtained by electro-colouring to give the product better heat dissipation and the material corrosion resistance; Screen material: 10-mm-thick transparent, tempered extra-clear glass, high-transmittance with grey-vitrified serigraphy (RAL 7015), to ensure chromatic uniformity and excellent resistance to knocks and scratches; Seals: black Santoprene™ O-rings guarantee lasting resistance to UV rays; Installation: On/off version: one IP68 4-way connector for power supply. Dimmable version: one IP68 4-way connector for power supply and two IP68 3-way connectors for DALI and 0/1-10V signal; built-in power supply unit; on/off: includes 1.5 m neoprene cable H07RN-F 3x1.0 Ø9.3 mm DALI, 0/1-10V: includes 1 x 1.5 m neoprene cable H07RN-F 3x1.0 Ø9.3 mm and 2 x 0.75 m neoprene cables H05RN-F 2x1.0 Ø6.7 mm including wiring connectors; Control system: DALI-2; Ingress protection: IP65, IP67, IP69; Impact resistance: IK09; optical accessories of honeycomb louvre and anti-glare shield built into the lighting fixture and tiltable together with the optics. In/out connection and easy wiring with quick connectors designed to connect the profiles one after the other in the dimmable versions; Tamper-resistant screw with central pin.; Protection systems: IPS (Intelligent Protection System) protects lighting fixtures from water infiltrations, which can occur if there are faulty junctions between the cables in outdoor or underwater applications. This innovation, patented by L&L, also guarantees electrical protection against polarity reversal, hot plugging, ESD and power surges, which can occur if there are faults in the electrical circuit; The PID (Protective Impedance Device) protects lighting fixtures from electrical phenomena external to the system, such as static electricity accumulation or electromagnetic interference coming from the mains power. Generally, these are events with a low energy content; Operating temperature: -20°C — +45°C; Maximum device temperature: 40°C (Ta 25°C); Photobiological safety: in accordance with IEC TR 62778:2014; Appliance class: class I; Weight: 2104 g; Dimensions: 82x118x572 mm; Energy efficiency class: F (light source) in accordance with EU 2019/2015; Accessories: honeycomb louvre, WCTG11A0T Outer casing, WFA0005 5-m 4-pin interconnect cable, WFA0101 1.5-m 4-pin interconnect cable, WFA03 3-pin female connector, WFA04 3-pin male connector; tested and approved via E.O.L. (End Of Line) test with functioning test and check of electrical power consumption

Status: Available

ELECTRICAL CHARACTERISTICS

Power consumption	24W
Power supply	230Vac
Power supply unit	built-in power supply unit
Control system	DALI-2

LIGHTING CHARACTERISTICS

Number and type of LED	24 SMD LEDs
Average LED life	60 000h L80 B10 (Ta 25°C)
LED colour	3000K
CRI Colour Rendering Index	80
Binning	2-step MacAdam
Optics	29° tiltable ±20°
Lumen output at source	2984 lm (3000K)
Delivered lumen output	1864 lm (3000K, 29°)

MECHANICAL CHARACTERISTICS

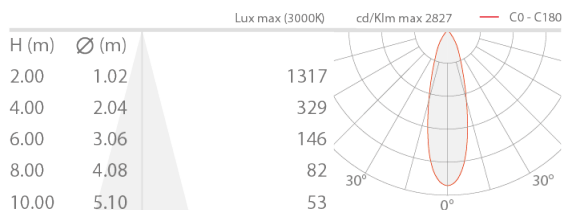
Dimensions	82x118x572 mm
Weight	2104 g
Finishes	anodized black
Mounting	with outer casing
Body material	body in black-anodized anticorodal aluminium, caps in technopolymer
Screen material	screen in serigraphed-grey and transparent, tempered extra-clear glass

GENERAL CHARACTERISTICS

Ingress protection	IP65, IP67, IP69
Operating temperature	-20°C — +45°C
Impact resistance	IK09
Features	optical accessories of honeycomb louvre and anti-glare shield built into the lighting fixture and tiltable together with the optics. In/out connection and easy wiring with quick connectors designed to connect the profiles one after the other in the dimmable versions
Energy efficiency class	F (light source) in accordance with EU 2019/2015
Maximum device temperature	40°C (Ta 25°C)
Appliance class	class I
Walkover	yes
Drive-over	up to 2000 kg
Power cables	on/off: includes 1.5 m neoprene cable H07RN-F 3x1.0 Ø9.3 mm DALI, 0/1-10V: includes 1 x 1.5 m neoprene cable H07RN-F 3x1.0 Ø9.3 mm and 2 x 0.75 m neoprene cables H05RN-F 2x1.0 Ø6.7 mm including wiring connectors
Protection systems	IPS (Intelligent Protection System); PID (Protective Impedance Device)
Photobiological safety	in accordance with IEC TR 62778:2014
Notes	Tamper-resistant screw with central pin.

PHOTOMETRIC DATA

L - 29°



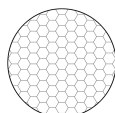
ACCESSORIES

Installation Accessories



WCTG11A0T
Outer casing

Anti-glare



honeycomb louvre

built into the lighting fixture

The honeycomb louvre can be fitted on the 29°, 69° and 20°x49° optics
Add the optical accessory in the code generator

Other



WFA0005
5-m 4-pin interconnect cable
for DALI or 0/1-10V version



WFA0101
1.5-m 4-pin interconnect cable
for 0/1-10V, DALI version



WFA03

3-pin female connector
for in/out connection
IP66-IP68
Ø23x46 mm

WFA04

3-pin male connector
for in/out connection
IP66-IP68
Ø23x50 mm

L&L Luce&Light SRL reserves the right to change the information contained in this document at any time without prior notice being given.