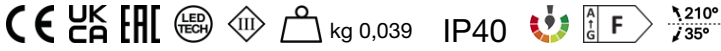


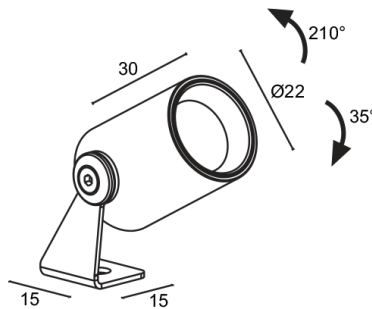
Made in Italy



Gem 1.1, code: GE1120100050LN
Projectors for indoor applications



30/05/2026 Rev. 08/2024



DESCRIPTION

projector for indoor applications; surface mounted (ceiling, wall, shelf, shop window); Power consumption: max 2,5W; Power supply: max 700mA; Lumen output at source: 260 lm (3000K, 700mA); Delivered lumen output: 160 lm (3000K, 700mA, 23°); 1 power LED, 2-step MacAdam, 50 000h L90 B10 (Ta 25°C); LED colour: 3000K; Optics: 42°: optical system consisting of a high-efficiency TIR lens combined with a high-quality technical filter; CRI Colour Rendering Index: >90; Body material: body made of ANTICORODAL 6026 low-copper-content aluminium alloy for excellent resistance to corrosion, made entirely on a CNC lathe. Bracket made of tumble-finished, painted aluminium 5754; Finishes: body and bracket painted black (RAL 9005); RAL finish on request; power supply unit not included; Wiring: series; includes 1.50 m PVC cable HT105° 2x0,20 Ø3,0 mm; Control system: dimming via dimmable driver; Ingress protection: IP40; Casambi control using the Casambi app with dedicated electronics; Operating temperature: 0°C — +45°C; Photobiological safety: in accordance with IEC TR 62778:2014; Appliance class: class III; Weight: 39 g; Dimensions: Ø22x30 mm; Energy efficiency class: F (light source) in accordance with EU 2019/2015; Accessories: WF4000 PVC cable HT105° 2x0.20 Ø3.0 mm, black; tested and approved via E.O.L. (End Of Line) test with functioning test and check of electrical power consumption

Status: Available

ELECTRICAL CHARACTERISTICS

Power consumption	max 2,5W
Power supply	max 700mA
Power supply unit	power supply unit not included
Control system	dimming via dimmable driver
Wiring	series

LIGHTING CHARACTERISTICS

Number and type of LED	1 power LED
Average LED life	50 000h L90 B10 (Ta 25°C)
LED colour	3000K
CRI Colour Rendering Index	>90
Binning	2-step MacAdam
Optics	42°
Lumen output at source	260 lm (3000K, 700mA)
Delivered lumen output	160 lm (3000K, 700mA, 23°)

MECHANICAL CHARACTERISTICS

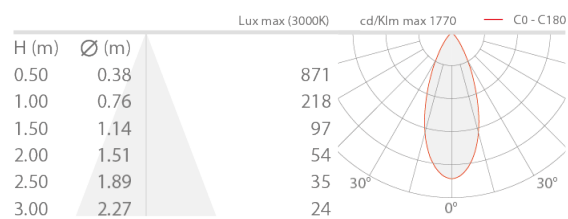
Dimensions	Ø22x30 mm
Weight	39 g
Finishes	black RAL 9005
Mounting	with bracket, screws and plugs
Body material	body in anticorodal aluminium, bracket in aluminium

GENERAL CHARACTERISTICS

Ingress protection	IP40
Operating temperature	0°C — +45°C
Energy efficiency class	F (light source) in accordance with EU 2019/2015
Appliance class	class III
Walkover	no
Drive-over	no
Power cables	includes 1.50 m PVC cable HT105° 2x0,20 Ø3,0 mm
Photobiological safety	in accordance with IEC TR 62778:2014
Notes	Casambi control using the Casambi app with dedicated electronics

PHOTOMETRIC DATA

L – 42°



ACCESSORIES

Other

WF4000

PVC cable HT105° 2x0.20 Ø3.0 mm, black

your choice of length

Order together with the lighting fixture

L&L Luce&Light SRL reserves the right to change the information contained in this document at any time without prior notice being given.