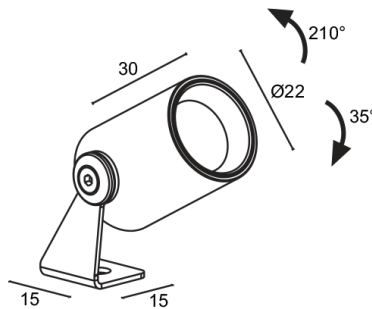
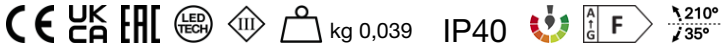


Made in Italy



Gem 1.1, code: GE1120100050LB  
Projectors for indoor applications

18/05/2026 Rev. 08/2024



## DESCRIPTION

projector for indoor applications; surface mounted (ceiling, wall, shelf, shop window); Power consumption: max 2,5W; Power supply: max 700mA; Lumen output at source: 260 lm (3000K, 700mA); Delivered lumen output: 160 lm (3000K, 700mA, 23°); 1 power LED, 2-step MacAdam, 50 000h L90 B10 (Ta 25°C); LED colour: 3000K; Optics: 42°: optical system consisting of a high-efficiency TIR lens combined with a high-quality technical filter; CRI Colour Rendering Index: >90; Body material: body made of ANTICORODAL 6026 low-copper-content aluminium alloy for excellent resistance to corrosion, made entirely on a CNC lathe. Bracket made of tumble-finished, painted aluminium 5754; Finishes: body and bracket painted white (RAL 9003); RAL finish on request; power supply unit not included; Wiring: series; includes 1.50 m PVC cable HT105° 2x0,20 Ø3,0 mm; Control system: dimming via dimmable driver; Ingress protection: IP40; Casambi control using the Casambi app with dedicated electronics; Operating temperature: 0°C — +45°C; Photobiological safety: in accordance with IEC TR 62778:2014; Appliance class: class III; Weight: 39 g; Dimensions: Ø22x30 mm; Energy efficiency class: F (light source) in accordance with EU 2019/2015; Accessories: WF0600 PVC cable HT105° 2x0,20 Ø3,0 mm, grey; tested and approved via E.O.L. (End Of Line) test with functioning test and check of electrical power consumption

Status: Available

### ELECTRICAL CHARACTERISTICS

Power consumption	max 2,5W
Power supply	max 700mA
Power supply unit	power supply unit not included
Control system	dimming via dimmable driver
Wiring	series

### LIGHTING CHARACTERISTICS

Number and type of LED	1 power LED
Average LED life	50 000h L90 B10 (Ta 25°C)
LED colour	3000K
CRI Colour Rendering Index	>90
Binning	2-step MacAdam
Optics	42°
Lumen output at source	260 lm (3000K, 700mA)
Delivered lumen output	160 lm (3000K, 700mA, 23°)

### MECHANICAL CHARACTERISTICS

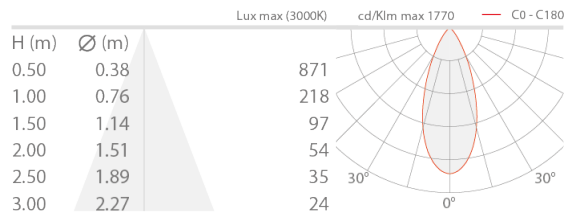
Dimensions	Ø22x30 mm
Weight	39 g
Finishes	white RAL 9003
Mounting	with bracket, screws and plugs
Body material	body in anticorodal aluminium, bracket in aluminium

### GENERAL CHARACTERISTICS

Ingress protection	IP40
Operating temperature	0°C — +45°C
Energy efficiency class	F (light source) in accordance with EU 2019/2015
Appliance class	class III
Walkover	no
Drive-over	no
Power cables	includes 1.50 m PVC cable HT105° 2x0,20 Ø3,0 mm
Photobiological safety	in accordance with IEC TR 62778:2014
Notes	Casambi control using the Casambi app with dedicated electronics

## PHOTOMETRIC DATA

L – 42°



## ACCESSORIES

## Other

## WF0600

PVC cable HT105° 2x0,20 Ø3,0 mm, grey

your choice of length

To be ordered by meter for lengths other than the standard one (1.5 m)

L&amp;L Luce&amp;Light SRL reserves the right to change the information contained in this document at any time without prior notice being given.