
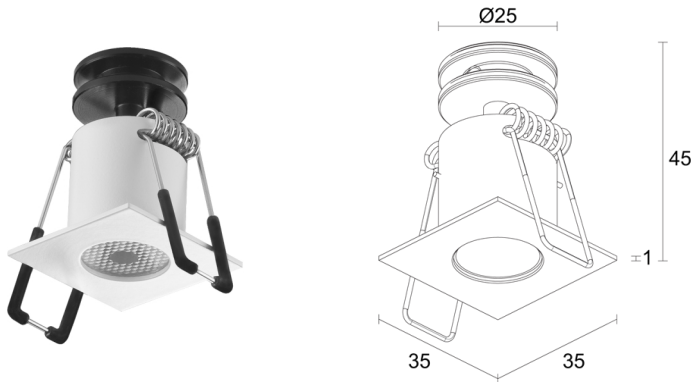
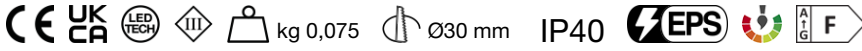


Made in Italy

 Eyes 2.U, code: EY2U00100050LB  
Recessed for indoor applications

05/07/2026 Rev. 06/2024



## DESCRIPTION

recessed downlight for indoor applications; recessed (ceiling); Power consumption: 3W; Power supply: 24Vdc; Lumen output at source: 260 lm (3000K); Delivered lumen output: 160 lm (3000K, 23°); 1 power LED, 2-step MacAdam, 60 000h L90 B10 (Ta 25°C); LED colour: 3000K; Optics: 36°: optical system consisting of a high-efficiency TIR lens; CRI Colour Rendering Index: >90; Body material: radiator in black anodized aluminium acting as a cooling element. Body in brass, made entirely on a CNC lathe. Springs in nickel-plated C67 spring steel.; Finishes: body painted white (RAL 9003); RAL finish on request; power supply unit not included; includes 1.50 m PVC cable FROR 2x0.35 Ø3.5 m; Ingress protection: IP40; Casambi control using the Casambi app with dedicated electronics; Protection systems: EPS protects fixtures for indoor applications against electrical problems. This innovation, patented by L&L, guarantees electrical protection against polarity reversal, hot plugging and voltage spikes of up to 48Vdc, which can occur if there are faults in the electrical circuit; Operating temperature: 0°C — +45°C; Photobiological safety: in accordance with IEC TR 62778:2014; Appliance class: class III; Weight: 75 g; Dimensions: 35x35x45 mm; Cutout dimensions: Ø30 mm; Volume of thermal heatsink: Ø110x90 mm; Energy efficiency class: F (light source) in accordance with EU 2019/2015; Accessories: WC0202 Outer casing; tested and approved via E.O.L. (End Of Line) test with functioning test and check of electrical power consumption

Status: Available

### ELECTRICAL CHARACTERISTICS

Power consumption	3W
Power supply	24Vdc
Power supply unit	power supply unit not included

### LIGHTING CHARACTERISTICS

Number and type of LED	1 power LED
Average LED life	60 000h L90 B10 (Ta 25°C)
LED colour	3000K
CRI Colour Rendering Index	>90
Binning	2-step MacAdam
Optics	36°
Lumen output at source	260 lm (3000K)
Delivered lumen output	160 lm (3000K, 23°)

### MECHANICAL CHARACTERISTICS

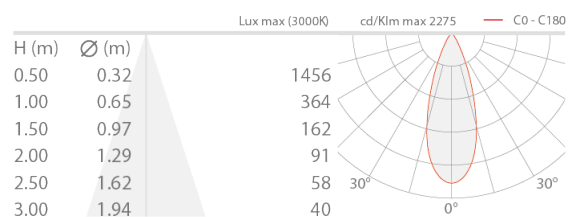
Dimensions	35x35x45 mm
Weight	75 g
Finishes	white RAL 9003
Mounting	with fixing springs
Body material	body in brass
Cutout dimensions	Ø30 mm
Volume of thermal heatsink	Ø110x90 mm

### GENERAL CHARACTERISTICS

Ingress protection	IP40
Operating temperature	0°C — +45°C
Energy efficiency class	F (light source) in accordance with EU 2019/2015
Appliance class	class III
Walkover	no
Drive-over	no
Power cables	includes 1.50 m PVC cable FROR 2x0.35 Ø3.5 m
Protection systems	EPS (Electrical Protection System)
Photobiological safety	in accordance with IEC TR 62778:2014
Notes	Casambi control using the Casambi app with dedicated electronics

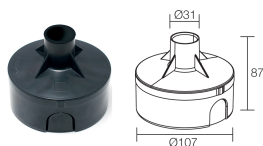
## PHOTOMETRIC DATA

L - 36°



## ACCESSORIES

## Installation Accessories



WC0202

Outer casing

L&L Luce&Light SRL reserves the right to change the information contained in this document at any time without prior notice being given.