
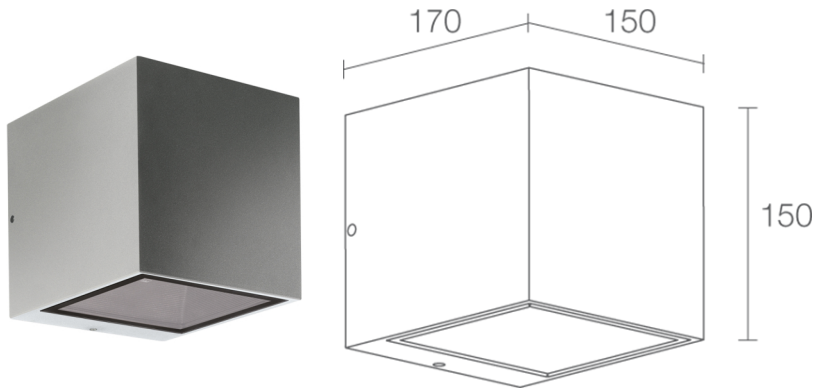
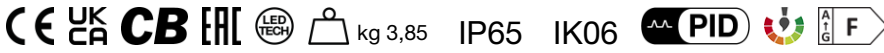


Made in Italy

 **Kocca 3.1, code: KA31115TF**
Wall mounted for outdoor applications

03/06/2026 Rev. 10/2024



DESCRIPTION

wall mounted for outdoor applications, single beam; surface mounted (wall); Power consumption: 18W; Power supply: 230Vac; Lumen output at source: 1308 lm (3000K, optics version, 18W); Delivered lumen output: 1137 lm (3000K, 30°, 18W); 9 power LEDs, 1/4 ANSI BIN, 50 000h L90 B10 (Ta 25°C); LED colour: 3000K; Optics: 7°; CRI Colour Rendering Index: 80; Body material: body in die-cast aluminium; Finishes: grey (RAL 9006); RAL finish on request; Screen material: screen in serigraphed, transparent and tempered extra-clear glass; built-in power supply unit; connection box with 0.50 m cable H05RN-F 2x0,75 Ø6,3 mm; Ingress protection: IP65; Impact resistance: IK06; DALI and 0/1-10V versions available on request. Spacer with RAL finish available on request; spacer with RAL finish available on request; Protection systems: The PID (Protective Impedance Device) protects lighting fixtures from electrical phenomena external to the system, such as static electricity accumulation or electromagnetic interference coming from the mains power. Generally, these are events with a low energy content; Operating temperature: -20°C — +45°C; Glow wire test: 960°C; Photobiological safety: photobiological safety: risk group 1 according to EN 62471:2006; Appliance class: class I; Weight: 3850 g; Dimensions: 150x150x170 mm; Energy efficiency class: F (light source) in accordance with EU 2019/2015; Accessories: WD0400F Spacer - grey; tested and approved via E.O.L. (End Of Line) test with functioning test and check of electrical power consumption

Status: Available

ELECTRICAL CHARACTERISTICS

Power consumption	18W
Power supply	230Vac
Power supply unit	built-in power supply unit

LIGHTING CHARACTERISTICS

Number and type of LED	9 power LEDs
Average LED life	50 000h L90 B10 (Ta 25°C)
LED colour	3000K
CRI Colour Rendering Index	80
Binning	1/4 ANSI BIN
Optics	7°
Lumen output at source	1308 lm (3000K, optics version, 18W)
Delivered lumen output	1137 lm (3000K, 30°, 18W)

MECHANICAL CHARACTERISTICS

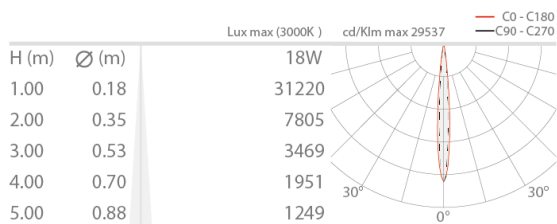
Dimensions	150x150x170 mm
Weight	3850 g
Finishes	grey RAL 9006
Mounting	with mounting plate, screws and plugs
Body material	body in die-cast aluminium
Screen material	screen in serigraphed, transparent, tempered extra-clear glass

GENERAL CHARACTERISTICS

Ingress protection	IP65
Operating temperature	-20°C — +45°C
Impact resistance	IK06
Energy efficiency class	F (light source) in accordance with EU 2019/2015
Glow wire test	960°C
Appliance class	class I
Walkover	no
Drive-over	no
Power cables	connection box with 0.50 m cable H05RN-F 2x0,75 Ø6,3 mm
Protection systems	PID (Protective Impedance Device)
Photobiological safety	photobiological safety: risk group 1 according to EN 62471:2006
Notes	DALI and 0/1-10V versions available on request. Spacer with RAL finish available on request; spacer with RAL finish available on request

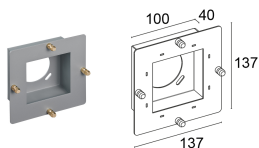
PHOTOMETRIC DATA

T - 7°



ACCESSORIES

Installation Accessories



WD0400F
Spacer - grey

L&L Luce&Light SRL reserves the right to change the information contained in this document at any time without prior notice being given.