
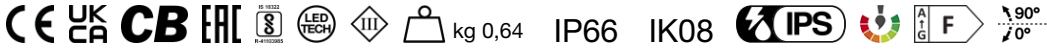
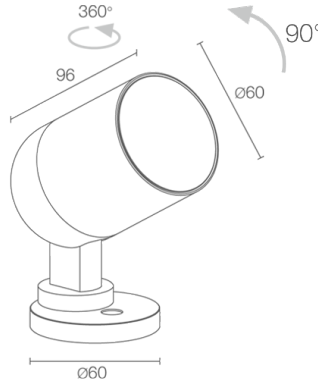


Made in Italy

 Pivot 2.0, code: CP2000000050MU-1
Projectors for outdoor applications



17/06/2026 Rev. 10/2024



DESCRIPTION

projector for outdoor applications; surface mounted (ceiling, wall, ground, spike), surface mounted (ceiling, wall, floor); Power consumption: 10W; Power supply: 24Vdc; Lumen output at source: 978 lm (3000K, 10W, CRI 80); Delivered lumen output: 835 lm (3000K, 25°, 10W, CRI 80); 1 COB LED, 3-step MacAdam, 50 000h L95 B10 (Ta 25°C); LED colour: 3000K; Optics: 25°: optical system consisting of a high-efficiency TIR lens; CRI Colour Rendering Index: 80; Body material: body made of ANTICORODAL EN AW 6082 low-copper-content aluminium alloy for excellent resistance to corrosion, made entirely on a CNC lathe; Finishes: copper finish obtained through an initial treatment with a ceramic nanoparticle coating, to prepare for painting, followed by a coat of epoxy paint and one of polyester paint to provide corrosion resistance of more than 1000 hours of salt spray; RAL finish on request; Screen material: 3-mm-thick transparent extra-clear glass with vitrified serigraphy, high transmittance to ensure chromatic uniformity of light and tempered for excellent resistance to knocks and scratches; Seals: The NBR nitrile rubber O-rings ensure the fixture's IP rating is preserved, guaranteeing continued protection; power supply unit not included; includes 5 m neoprene cable, H05RN-F 2x0,35/0,75 Ø6,3 mm; Ingress protection: IP66; Impact resistance: IK08; manual zoom lens adjustable using magnet included 13°x68° optics adjustable through 360° using magnet included; Casambi control using the Casambi app with dedicated electronics; Protection systems: IPS (Intelligent Protection System) protects lighting fixtures from water infiltrations, which can occur if there are faulty junctions between the cables in outdoor or underwater applications. This innovation, patented by L&L, also guarantees electrical protection against polarity reversal, hot plugging, ESD and power surges, which can occur if there are faults in the electrical circuit; Operating temperature: -20°C — +45°C; Glow wire test: 960°C; Photobiological safety: photobiological safety: risk group 1 according to EN 62471:2006; Appliance class: class III; Weight: 640 g; Dimensions: Ø60x96 mm; Energy efficiency class: F (light source) in accordance with EU 2019/2015; Accessories: WB1001U Standard snoot - copper, WB1002U Asymmetrical snoot - copper, WB1003N Barn doors - black, WP0100 Spike for in-ground installation; tested and approved via E.O.L. (End Of Line) test with functioning test and check of electrical power consumption

Status: Available

ELECTRICAL CHARACTERISTICS

Power consumption	10W
Power supply	24Vdc
Power supply unit	power supply unit not included

LIGHTING CHARACTERISTICS

Number and type of LED	1 COB LED
Average LED life	50 000h L95 B10 (Ta 25°C)
LED colour	3000K
CRI Colour Rendering Index	80
Binning	3-step MacAdam
Optics	25°
Lumen output at source	978 lm (3000K, 10W, CRI 80)
Delivered lumen output	835 lm (3000K, 25°, 10W, CRI 80)

MECHANICAL CHARACTERISTICS

Dimensions	Ø60x96 mm
Weight	640 g
Finishes	copper
Mounting	with screws and plugs
Body material	body in anticorodal aluminium
Screen material	screen in serigraphed, transparent, tempered extra-clear glass

GENERAL CHARACTERISTICS

Ingress protection	IP66
Operating temperature	-20°C — +45°C
Impact resistance	IK08
Features	manual zoom lens adjustable using magnet included 13°x68° optics adjustable through 360° using magnet included
Energy efficiency class	F (light source) in accordance with EU 2019/2015
Glow wire test	960°C
Appliance class	class III
Walkover	no
Drive-over	no
Power cables	includes 5 m neoprene cable, H05RN-F 2x0,35/0,75 Ø6,3 mm
Protection systems	IPS (Intelligent Protection System)
Photobiological safety	photobiological safety: risk group 1 according to EN 62471:2006
Notes	Casambi control using the Casambi app with dedicated electronics

PHOTOMETRIC DATA

M – 25° CRI80

H (m)	Ø (m)	Lux max (3000K)		cd/Klm max 4486	— C0 - C180
		10W	14W		
1.00	0.45	3746	4773		
2.00	0.89	936	1193		
3.00	1.34	416	530		
4.00	1.78	234	298		
5.00	2.23	150	191		

ACCESSORIES

Installation Accessories



WP0100

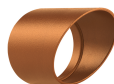
Spike for in-ground installation

Anti-glare



WB1001U

Standard snoot - copper



WB1002U

Asymmetrical snoot - copper



WB1003N

Barn doors - black

L&L Luce&Light SRL reserves the right to change the information contained in this document at any time without prior notice being given.