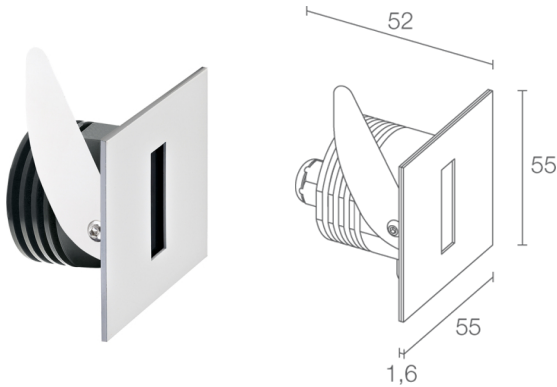


Made in Italy

Step Outside 6.3, code: SP63125AAS
Step lights for outdoor applications



25/05/2026 Rev. 11/2024



DESCRIPTION

step light for outdoor applications; recessed (wall); Power consumption: max 2W; Power supply: max 500mA; Lumen output at source: 145 lm (3000K, 500mA); Delivered lumen output: 25 lm (3000K, 500mA); 1 power LED, 1/4 ANSI BIN, 50 000h L90 B10 (Ta 25°C); LED colour: 3000K; Optics: asymmetrical; Upward flux fraction: 14,98%; CRI Colour Rendering Index: 80; Body material: body in aluminium, cover in stainless steel; Finishes: satin; RAL finish on request; Screen material: screen in transparent plexiglass; Thickness of installation surface: min 5 mm, max 30 mm; power supply unit not included; Wiring: series; includes 1.5 m neoprene cable, H05RN-F 2x0,35/0,75 Ø6,3 mm; Control system: dimming via dimmable driver; Ingress protection: IP65; Casambi control using the Casambi app with dedicated electronics; Protection systems: IPS (Intelligent Protection System) protects lighting fixtures from water infiltrations, which can occur if there are faulty junctions between the cables in outdoor or underwater applications. This innovation, patented by L&L, also guarantees electrical protection against polarity reversal, hot plugging, ESD and power surges, which can occur if there are faults in the electrical circuit; Operating temperature: -20°C — +45°C; Glow wire test: 960°C; Photobiological safety: photobiological safety: risk group 1 according to EN 62471:2006; Appliance class: class III; Weight: 240 g; Dimensions: 55x55x52 mm; Cutout dimensions: Ø45 mm; Volume of thermal heatsink: Ø70x90 mm; Energy efficiency class: F (light source) in accordance with EU 2019/2015; Accessories: WC1501 Outer casing; tested and approved via E.O.L. (End Of Line) test with functioning test and check of electrical power consumption

Status: Available

ELECTRICAL CHARACTERISTICS

Power consumption	max 2W
Power supply	max 500mA
Power supply unit	power supply unit not included
Control system	dimming via dimmable driver
Wiring	series

LIGHTING CHARACTERISTICS

Number and type of LED	1 power LED
Average LED life	50 000h L90 B10 (Ta 25°C)
LED colour	3000K
CRI Colour Rendering Index	80
Binning	1/4 ANSI BIN
Optics	asymmetrical
Lumen output at source	145 lm (3000K, 500mA)
Delivered lumen output	25 lm (3000K, 500mA)

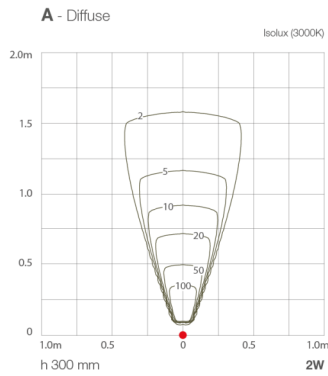
MECHANICAL CHARACTERISTICS

Dimensions	55x55x52 mm
Weight	240 g
Finishes	satın
Mounting	with fixing springs or outer casing
Body material	body in aluminium, cover in stainless steel
Screen material	screen in transparent plexiglass
Cutout dimensions	Ø45 mm
Volume of thermal heatsink	Ø70x90 mm

GENERAL CHARACTERISTICS

Ingress protection	IP65
Operating temperature	-20°C — +45°C
Energy efficiency class	F (light source) in accordance with EU 2019/2015
Glow wire test	960°C
Appliance class	class III
Walkover	no
Drive-over	no
Power cables	includes 1.5 m neoprene cable, H05RN-F 2x0,35/0,75 Ø6,3 mm
Protection systems	IPS (Intelligent Protection System)
Photobiological safety	photobiological safety: risk group 1 according to EN 62471:2006
Notes	Casambi control using the Casambi app with dedicated electronics

PHOTOMETRIC DATA

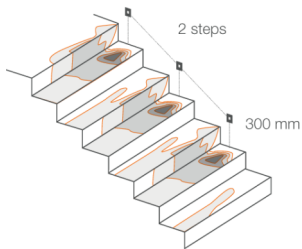


ACCESSORIES

Installation Accessories



WC1501 Outer casing



L&L Luce&Light SRL reserves the right to change the information contained in this document at any time without prior notice being given.