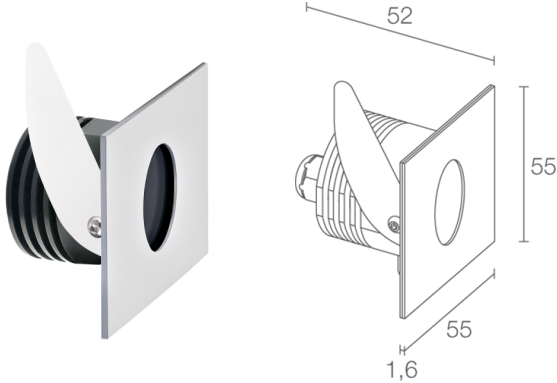


Made in Italy

Step Outside 6.2, code: SP62125AAS
Step lights for outdoor applications



03/05/2026 Rev. 11/2024



DESCRIPTION

step light for outdoor applications; recessed (wall); Power consumption: max 2W; Power supply: max 500mA; Lumen output at source: 145 lm (3000K, 500mA); Delivered lumen output: 42 lm (3000K, 500mA); 1 power LED, 1/4 ANSI BIN, 50 000h L90 B10 (Ta 25°C); LED colour: 3000K; Optics: asymmetrical; Upward flux fraction: 9,60%; CRI Colour Rendering Index: 80; Body material: body in aluminium, cover in stainless steel; Finishes: satin; RAL finish on request; Screen material: screen in transparent plexiglass; Thickness of installation surface: min 5 mm, max 30 mm; power supply unit not included; Wiring: series; includes 1.5 m neoprene cable, H05RN-F 2x0,35/0,75 Ø6,3 mm; Control system: dimming via dimmable driver; Ingress protection: IP65; Casambi control using the Casambi app with dedicated electronics; Protection systems: IPS (Intelligent Protection System) protects lighting fixtures from water infiltrations, which can occur if there are faulty junctions between the cables in outdoor or underwater applications. This innovation, patented by L&L, also guarantees electrical protection against polarity reversal, hot plugging, ESD and power surges, which can occur if there are faults in the electrical circuit; Operating temperature: -20°C — +45°C; Glow wire test: 960°C; Photobiological safety: photobiological safety: risk group 1 according to EN 62471:2006; Appliance class: class III; Weight: 240 g; Dimensions: 55x55x52 mm; Cutout dimensions: Ø45 mm; Volume of thermal heatsink: Ø70x90 mm; Energy efficiency class: F (light source) in accordance with EU 2019/2015; Accessories: WC1501 Outer casing; tested and approved via E.O.L. (End Of Line) test with functioning test and check of electrical power consumption

Status: Available

ELECTRICAL CHARACTERISTICS

| | |
|-------------------|--------------------------------|
| Power consumption | max 2W |
| Power supply | max 500mA |
| Power supply unit | power supply unit not included |
| Control system | dimming via dimmable driver |
| Wiring | series |

LIGHTING CHARACTERISTICS

| | |
|----------------------------|---------------------------|
| Number and type of LED | 1 power LED |
| Average LED life | 50 000h L90 B10 (Ta 25°C) |
| LED colour | 3000K |
| CRI Colour Rendering Index | 80 |
| Binning | 1/4 ANSI BIN |
| Optics | asymmetrical |
| Lumen output at source | 145 lm (3000K, 500mA) |
| Delivered lumen output | 42 lm (3000K, 500mA) |

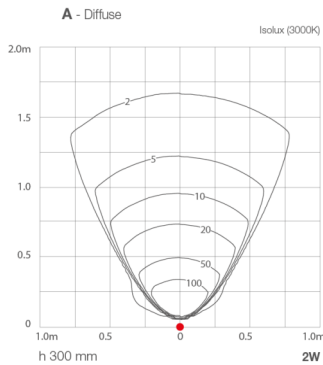
MECHANICAL CHARACTERISTICS

| | |
|----------------------------|---|
| Dimensions | 55x55x52 mm |
| Weight | 240 g |
| Finishes | satin |
| Mounting | with fixing springs or outer casing |
| Body material | body in aluminium, cover in stainless steel |
| Screen material | screen in transparent plexiglass |
| Cutout dimensions | Ø45 mm |
| Volume of thermal heatsink | Ø70x90 mm |

GENERAL CHARACTERISTICS

| | |
|-------------------------|--|
| Ingress protection | IP65 |
| Operating temperature | -20°C — +45°C |
| Energy efficiency class | F (light source) in accordance with EU 2019/2015 |
| Glow wire test | 960°C |
| Appliance class | class III |
| Walkover | no |
| Drive-over | no |
| Power cables | includes 1.5 m neoprene cable, H05RN-F 2x0,35/0,75 Ø6,3 mm |
| Protection systems | IPS (Intelligent Protection System) |
| Photobiological safety | photobiological safety: risk group 1 according to EN 62471:2006 |
| Notes | Casambi control using the Casambi app with dedicated electronics |

PHOTOMETRIC DATA

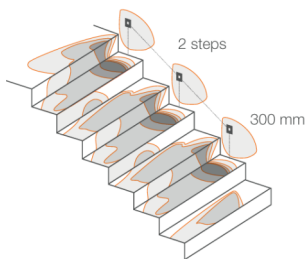


ACCESSORIES

Installation Accessories



WC1501 Outer casing



L&L Luce&Light SRL reserves the right to change the information contained in this document at any time without prior notice being given.