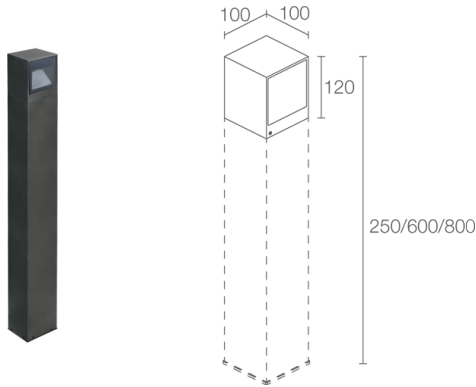
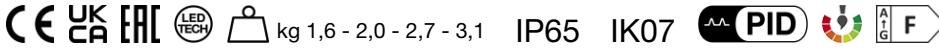


Made in Italy



Linear 2.1, code: CL21115AH
Bollards for outdoor applications

21/06/2026 Rev. 08/2024



DESCRIPTION

bollard for outdoor applications, single beam; surface mounted (floor); Power consumption: 8,5W; Power supply: 230Vac; Lumen output at source: 657 lm (3000K, 8.5W); Delivered lumen output: 284 lm (3000K, 8.5W); 1 high-intensity power LED, 3-step MacAdam, 50 000h L90 B10 (Ta 25°C); LED colour: 3000K; Optics: asymmetrical; Upward flux fraction: 1,05% (4W), 0,87% (8,5W); CRI Colour Rendering Index: 80; Body material: head in aluminium, column in anticorodal aluminium; Finishes: anthracite; RAL finish on request; Screen material: screen in serigraphed, transparent and tempered extra-clear glass; built-in power supply unit; connection box with 1 m cable, H05RN-F 2x0,75 Ø6,3 mm; Ingress protection: IP65; Impact resistance: IK07; non-standard heights available on request; Protection systems: The PID (Protective Impedance Device) protects lighting fixtures from electrical phenomena external to the system, such as static electricity accumulation or electromagnetic interference coming from the mains power. Generally, these are events with a low energy content; Operating temperature: -20°C — +45°C; Glow wire test: 960°C; Photobiological safety: photobiological safety: risk group 1 according to EN 62471:2006; Appliance class: class I; Weight: h 00 mm: 1600 g; h 250 mm: 2000 g; h 600 mm: 2700 g; h 800 mm: 3100 g; Dimensions: 100x100x120/250/600/800 mm; Energy efficiency class: F (light source) in accordance with EU 2019/2015; Accessories: WT000000 Plate for ground installation, WT20250H Column - total height 250 mm - anthracite, WT20600H Column - total height 600 mm - anthracite, WT20800H Column - total height 800 mm - anthracite; tested and approved via E.O.L. (End Of Line) test with functioning test and check of electrical power consumption

Status: Available

ELECTRICAL CHARACTERISTICS

Power consumption	8,5W
Power supply	230Vac
Power supply unit	built-in power supply unit

LIGHTING CHARACTERISTICS

Number and type of LED	1 high-intensity power LED
Average LED life	50 000h L90 B10 (Ta 25°C)
LED colour	3000K
CRI Colour Rendering Index	80
Binning	3-step MacAdam
Optics	asymmetrical
Lumen output at source	657 lm (3000K, 8.5W)
Delivered lumen output	284 lm (3000K, 8.5W)

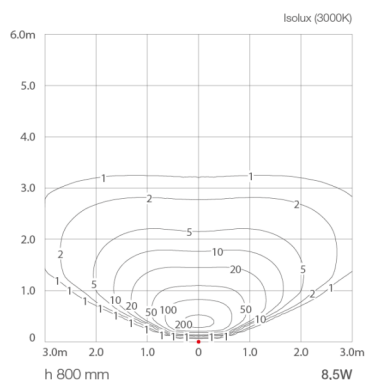
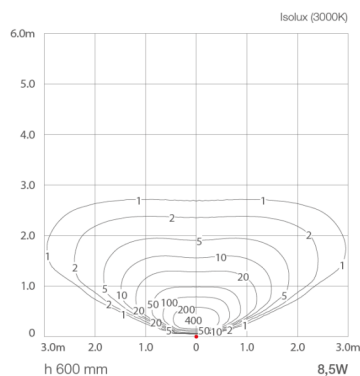
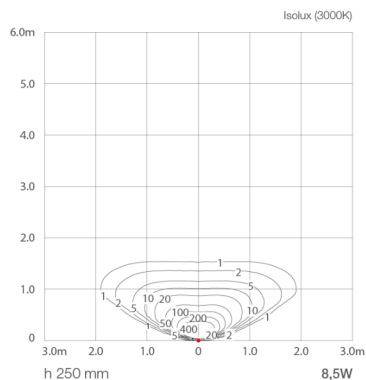
MECHANICAL CHARACTERISTICS

Dimensions	100x100x120/250/600/800 mm
Weight	h 00 mm: 1600 g; h 250 mm: 2000 g; h 600 mm: 2700 g; h 800 mm: 3100 g
Finishes	anthracite
Mounting	with screws and plugs
Body material	head in aluminium, column in anticorodal aluminium
Screen material	screen in serigraphed, transparent, tempered extra-clear glass

GENERAL CHARACTERISTICS

Ingress protection	IP65
Operating temperature	-20°C – +45°C
Impact resistance	IK07
Energy efficiency class	F (light source) in accordance with EU 2019/2015
Glow wire test	960°C
Appliance class	class I
Walkover	no
Drive-over	no
Power cables	connection box with 1 m cable, H05RN-F 2x0,75 Ø6,3 mm
Protection systems	PID (Protective Impedance Device)
Photobiological safety	photobiological safety: risk group 1 according to EN 62471:2006
Notes	non-standard heights available on request

PHOTOMETRIC DATA



ACCESSORIES

Installation Accessories



WT000000
Plate for ground installation



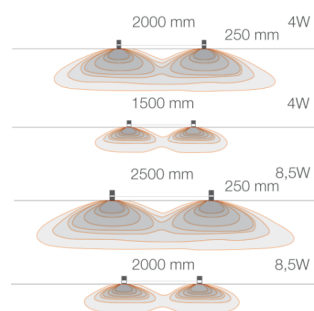
WT20250H
Column - total height 250 mm - anthracite



WT20600H
Column - total height 600 mm - anthracite



WT20800H
Column - total height 800 mm - anthracite



L&L Luce&Light SRL reserves the right to change the information contained in this document at any time without prior notice being given.