
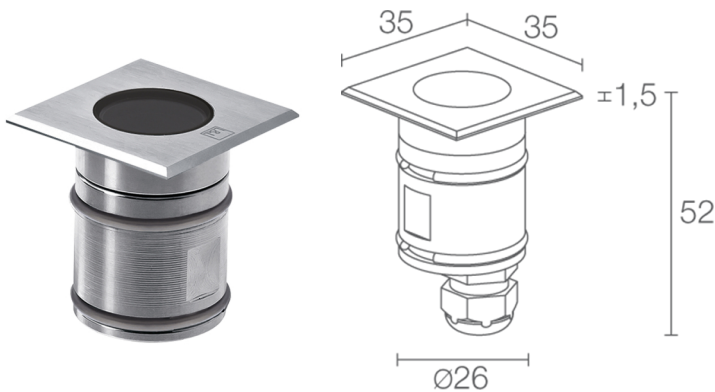


Made in Italy

 **Bright 1.1**, code: CB11125LAI
Recessed for outdoor applications

30/06/2026 Rev. 17/2024



DESCRIPTION

recessed for outdoor applications (not suitable for use in immersion in swimming pools or fountains); walkover up to 500 kg; recessed (ceiling, wall, floor); Power consumption: max 2W; Power supply: max 500mA; Lumen output at source: 195 lm (3000K, 500mA); Delivered lumen output: 127 lm (3000K, 500mA, 21°); 1 power LED, 2-step MacAdam, 60 000h L90 B10 (Ta 25°C); LED colour: 3000K; Optics: 43°; CRI Colour Rendering Index: 80; Body material: body and trim in AISI 316L stainless steel; RAL finish on request; Screen material: screen in tempered, transparent extra-clear glass; Thickness of installation surface: min 5 mm, max 30 mm; power supply unit not included; Wiring: series; includes 1.5 m neoprene cable, H05RN-F 2x0,35/0,75 Ø6,3 mm; Control system: dimming via dimmable driver; Ingress protection: IP65, IP68; Impact resistance: IK10; version with LED colour 2200K available on request; Casambi control using the Casambi app with dedicated electronics; Protection systems: IPS (Intelligent Protection System) protects lighting fixtures from water infiltrations, which can occur if there are faulty junctions between the cables in outdoor or underwater applications. This innovation, patented by L&L, also guarantees electrical protection against polarity reversal, hot plugging, ESD and power surges, which can occur if there are faults in the electrical circuit; Operating temperature: -20°C — +45°C; Maximum device temperature: 50°C (Ta 25°C); Glow wire test: 960°C; Photobiological safety: in accordance with IEC TR 62778:2014; Appliance class: class III; Weight: 200 g; Dimensions: 35x35x52 mm; Cutout dimensions: Ø30 mm; Volume of thermal heatsink: Ø80x100 mm; Energy efficiency class: F (light source) in accordance with EU 2019/2015; Accessories: WC0202 Outer casing, WE0500A Semi-diffusing screen, half transparent and half frosted, WE0500S Anti-glare screen, half transparent and half serigraphed black, WG0301 Retaining spring clip for installation on plasterboard Ø30mm, WH0101 Honeycomb louvre; tested and approved via E.O.L. (End Of Line) test with functioning test and check of electrical power consumption

Status: Available

ELECTRICAL CHARACTERISTICS

| | |
|-------------------|--------------------------------|
| Power consumption | max 2W |
| Power supply | max 500mA |
| Power supply unit | power supply unit not included |
| Control system | dimming via dimmable driver |
| Wiring | series |

LIGHTING CHARACTERISTICS

| | |
|----------------------------|----------------------------|
| Number and type of LED | 1 power LED |
| Average LED life | 60 000h L90 B10 (Ta 25°C) |
| LED colour | 3000K |
| CRI Colour Rendering Index | 80 |
| Binning | 2-step MacAdam |
| Optics | 43° |
| Lumen output at source | 195 lm (3000K, 500mA) |
| Delivered lumen output | 127 lm (3000K, 500mA, 21°) |

MECHANICAL CHARACTERISTICS

| | |
|----------------------------|---|
| Dimensions | 35x35x52 mm |
| Weight | 200 g |
| Mounting | with fixing springs or outer casing |
| Body material | body and trim in AISI 316L stainless steel |
| Screen material | screen in transparent, tempered extra-clear glass |
| Cutout dimensions | Ø30 mm |
| Volume of thermal heatsink | Ø80x100 mm |

GENERAL CHARACTERISTICS

| | |
|----------------------------|--|
| Ingress protection | IP65, IP68 |
| Operating temperature | -20°C — +45°C |
| Impact resistance | IK10 |
| Energy efficiency class | F (light source) in accordance with EU 2019/2015 |
| Glow wire test | 960°C |
| Maximum device temperature | 50°C (Ta 25°C) |
| Appliance class | class III |
| Drive-over | no |
| Walkover | up to 500 kg |
| Power cables | includes 1.5 m neoprene cable, H05RN-F 2x0,35/0,75 Ø6,3 mm |
| Protection systems | IPS (Intelligent Protection System) |
| Photobiological safety | in accordance with IEC TR 62778:2014 |
| Notes | version with LED colour 2200K available on request; Casambi control using the Casambi app with dedicated electronics |

PHOTOMETRIC DATA

L - 43°



ACCESSORIES

Installation Accessories



WC0202
Outer casing



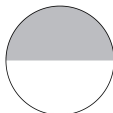
WG0301
Retaining spring clip for installation on plasterboard Ø30mm

Anti-glare



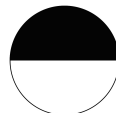
WH0101
Honeycomb louvre
built into the lighting fixture
The honeycomb louvre can be fitted on all fixed optics, exception for diffuse optics
Order together with the lighting fixture

Optical Accessories



WE0500A
Semi-diffusing screen, half transparent and half frosted
built into the lighting fixture
Optics 10°, 21°, 43°

Order together with the lighting fixture



WE0500S
Anti-glare screen, half transparent and half serigraphed black
built into the lighting fixture
Optics 10°, 21°, 43°

Order together with the lighting fixture

L&L Luce&Light SRL reserves the right to change the information contained in this document at any time without prior notice being given.