


Made in Italy

 **Bright 1.0, code: CB10125MAI**
Recessed for outdoor applications







 on request
 

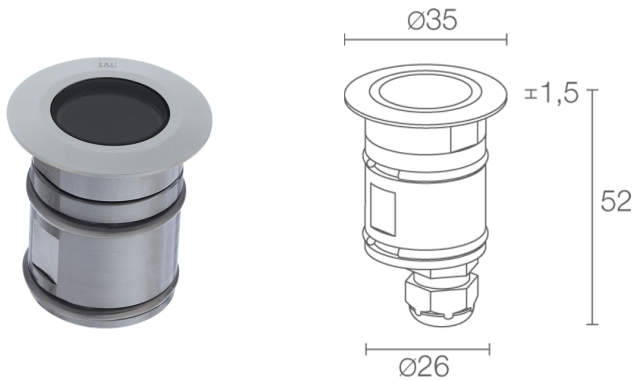


 IP65 IP68 IK10





25/06/2026 Rev. 17/2024



DESCRIPTION

recessed for outdoor applications (not suitable for use in immersion in swimming pools or fountains); walkover up to 500 kg; recessed (ceiling, wall, floor); Power consumption: max 2W; Power supply: max 500mA; Lumen output at source: 195 lm (3000K, 500mA); Delivered lumen output: 127 lm (3000K, 500mA, 21°); 1 power LED, 2-step MacAdam, 60 000h L90 B10 (Ta 25°C); LED colour: 3000K; Optics: 21°; CRI Colour Rendering Index: 80; Body material: body and trim in AISI 316L stainless steel; Finishes: die-cast body painted with an initial treatment of a ceramic nanoparticle coating, to prepare for painting, followed by a coat of epoxy paint and one of polyester paint to provide corrosion resistance of more than 1500 hours of salt spray. Paints compliant with the Qualicoat standard (automotive standard); RAL finish on request; Screen material: screen in tempered, transparent extra-clear glass; Thickness of installation surface: min 5 mm, max 30 mm; power supply unit not included; Wiring: series; includes 1.5 m neoprene cable, H05RN-F 2x0,35/0,75 Ø6,3 mm; Control system: dimming via dimmable driver; Ingress protection: IP65, IP68; Impact resistance: IK10; version with LED colour 2200K available on request; Casambi control using the Casambi app with dedicated electronics; Protection systems: IPS (Intelligent Protection System) protects lighting fixtures from water infiltrations, which can occur if there are faulty junctions between the cables in outdoor or underwater applications. This innovation, patented by L&L, also guarantees electrical protection against polarity reversal, hot plugging, ESD and power surges, which can occur if there are faults in the electrical circuit; Operating temperature: -20°C — +45°C; Maximum device temperature: 50°C (Ta 25°C); Glow wire test: 960°C; Photobiological safety: in accordance with IEC TR 62778:2014; Appliance class: class III; Weight: 200 g; Dimensions: Ø35x52 mm; Cutout dimensions: Ø30 mm; Volume of thermal heatsink: Ø80x100 mm; Energy efficiency class: F (light source) in accordance with EU 2019/2015; Accessories: WC0202 Outer casing, WE0500A Semi-diffusing screen, half transparent and half frosted, WE0500S Anti-glare screen, half transparent and half serigraphed black, WG0301 Retaining spring clip for installation on plasterboard Ø30mm, WH0101 Honeycomb louvre; tested and approved via E.O.L. (End Of Line) test with functioning test and check of electrical power consumption

Status: Available

ELECTRICAL CHARACTERISTICS

Power consumption	max 2W
Power supply	max 500mA
Power supply unit	power supply unit not included
Control system	dimming via dimmable driver
Wiring	series

LIGHTING CHARACTERISTICS

Number and type of LED	1 power LED
Average LED life	60 000h L90 B10 (Ta 25°C)
LED colour	3000K
CRI Colour Rendering Index	80
Binning	2-step MacAdam
Optics	21°
Lumen output at source	195 lm (3000K, 500mA)
Delivered lumen output	127 lm (3000K, 500mA, 21°)

MECHANICAL CHARACTERISTICS

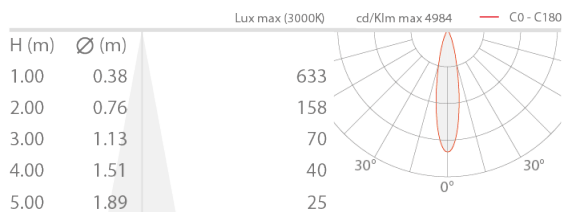
Dimensions	Ø35x52 mm
Weight	200 g
Finishes	stainless steel
Mounting	with fixing springs or outer casing
Body material	body and trim in AISI 316L stainless steel
Screen material	screen in transparent, tempered extra-clear glass
Cutout dimensions	Ø30 mm
Volume of thermal heatsink	Ø80x100 mm

GENERAL CHARACTERISTICS

Ingress protection	IP65, IP68
Operating temperature	-20°C — +45°C
Impact resistance	IK10
Energy efficiency class	F (light source) in accordance with EU 2019/2015
Glow wire test	960°C
Maximum device temperature	50°C (Ta 25°C)
Appliance class	class III
Drive-over	no
Walkover	up to 500 kg
Power cables	includes 1.5 m neoprene cable, H05RN-F 2x0,35/0,75 Ø6,3 mm
Protection systems	IPS (Intelligent Protection System)
Photobiological safety	in accordance with IEC TR 62778:2014
Notes	version with LED colour 2200K available on request; Casambi control using the Casambi app with dedicated electronics

PHOTOMETRIC DATA

M - 21°



ACCESSORIES

Installation Accessories



WC0202
Outer casing



WG0301
Retaining spring clip for installation on plasterboard Ø30mm

Anti-glare



WH0101
Honeycomb louvre
built into the lighting fixture
The Honeycomb louvre can be fitted on all fixed optics except for diffuse and sharp optics
Order together with the lighting fixture

Optical Accessories



WE0500A
Semi-diffusing screen, half transparent and half frosted
built into the lighting fixture
Optics 10°, 21°, 43°

Order together with the lighting fixture



WE0500S
Anti-glare screen, half transparent and half serigraphed black
built into the lighting fixture
Optics 10°, 21°, 43°

Order together with the lighting fixture

L&L Luce&Light SRL reserves the right to change the information contained in this document at any time without prior notice being given.