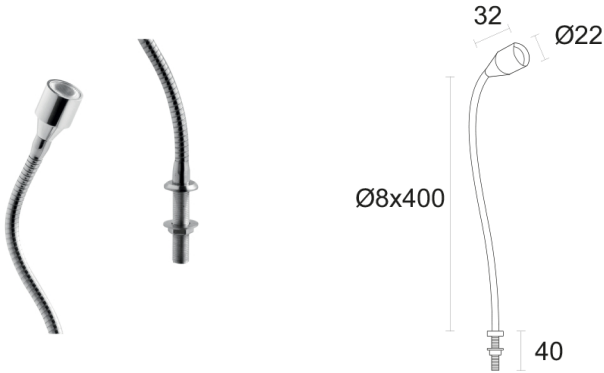


Made in Italy



Wall 8.0, code: PL8012405MS
Reading lamps

15/06/2026 Rev. 10/2024



DESCRIPTION

reading lamp; surface mounted (shelf max 30 mm); Power consumption: max 2W; Power supply: max 500mA; Lumen output at source: 145 lm (3000K, 500mA); Delivered lumen output: 103 lm (3000K, 500mA, 25°); 1 power LED, 1/4 ANSI BIN, 50 000h L90 B10 (Ta 25°C); LED colour: 3000K; Optics: 25°; CRI Colour Rendering Index: 80; Body material: body in aluminium, pole in brass; Finishes: satin; Thickness of installation surface: min 2 mm, max 30 mm; power supply unit not included; Wiring: series; includes 0.50 m PVC cable FROR 2x0.35 Ø3.5 mm; Control system: dimming via dimmable driver; Ingress protection: IP40; Casambi-compatible version, controllable with the Casambi app, available on request; Operating temperature: 0°C — +45°C; Photobiological safety: photobiological safety: risk group 1 according to EN 62471:2006; Appliance class: class III; Weight: 160 g; Dimensions: Ø22x32mm; Energy efficiency class: F (light source) in accordance with EU 2019/2015; Accessories: WF0110 PVC cable FROR 2x0,35 Ø3,5 mm; tested and approved via E.O.L. (End Of Line) test with functioning test and check of electrical power consumption

Status: Available

ELECTRICAL CHARACTERISTICS

Power consumption	max 2W
Power supply	max 500mA
Power supply unit	power supply unit not included
Control system	dimming via dimmable driver
Wiring	series

LIGHTING CHARACTERISTICS

Number and type of LED	1 power LED
Average LED life	50 000h L90 B10 (Ta 25°C)
LED colour	3000K
CRI Colour Rendering Index	80
Binning	1/4 ANSI BIN
Optics	25°
Lumen output at source	145 lm (3000K, 500mA)
Delivered lumen output	103 lm (3000K, 500mA, 25°)

MECHANICAL CHARACTERISTICS

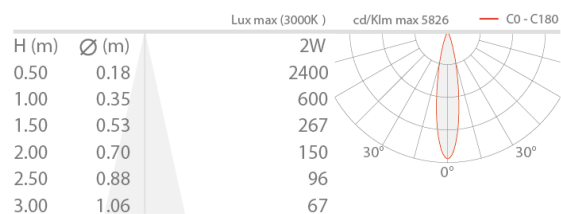
Dimensions	Ø22x32mm
Weight	160 g
Finishes	satın
Mounting	on surface (shelf max 30 mm)
Body material	body in aluminium, pole in brass

GENERAL CHARACTERISTICS

Ingress protection	IP40
Operating temperature	0°C — +45°C
Energy efficiency class	F (light source) in accordance with EU 2019/2015
Appliance class	class III
Walkover	no
Drive-over	no
Power cables	includes 0.50 m PVC cable FROR 2x0.35 Ø3.5 m
Photobiological safety	photobiological safety: risk group 1 according to EN 62471:2006
Notes	Casambi-compatible version, controllable with the Casambi app, available on request

PHOTOMETRIC DATA

M - 25°



ACCESSORIES

Other

WF0110

PVC cable FROR 2x0,35 Ø3,5 mm

your choice of length

To be ordered by meter for lengths other than the standard one (1.5 m)

L&L Luce&Light SRL reserves the right to change the information contained in this document at any time without prior notice being given.