


Made in Italy

 Spot 3.4, code: CF3410000090S5
Projectors for outdoor applications



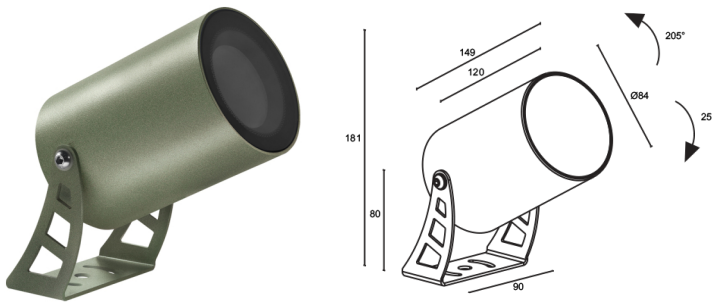












DESCRIPTION

projector for outdoor applications; surface mounted (ceiling, wall, ground, spike, strap); Power consumption: 15W; Power supply: 230Vac; Lumen output at source: 1476 lm (3000K); Delivered lumen output: 1042 lm (3000K, 39°); 1 COB LED, 3-step MacAdam, 50 000h L90 B10 (Ta 25°C); LED colour: 4000K; Optics: 15°; CRI Colour Rendering Index: 80; Body material: body made of ANTICORODAL 6026 low-copper-content aluminium alloy for excellent resistance to corrosion, made on a CNC lathe. Bracket made of tumble-finished, painted aluminium 5754; Finishes: jasper green finish obtained through an initial treatment with a ceramic nanoparticle coating, to prepare for painting, followed by a coat of epoxy paint and one of polyester paint to provide corrosion resistance of more than 1000 hours of salt spray; RAL finish on request; Screen material: 5-mm-thick tempered, transparent extra-clear glass, with vitrified serigraphy, to ensure chromatic uniformity of light and excellent resistance to knocks and scratches; built-in power supply unit; includes 1.50 m neoprene cable H05RN-F 3x1,0 Ø7 mm; Ingress protection: IP66; Impact resistance: IK09; Protection systems: IPS (Intelligent Protection System) protects lighting fixtures from water infiltrations, which can occur if there are faulty junctions between the cables in outdoor or underwater applications. This innovation, patented by L&L, also guarantees electrical protection against polarity reversal, hot plugging, ESD and power surges, which can occur if there are faults in the electrical circuit; Operating temperature: -20°C — +45°C; Glow wire test: 960°C; Photobiological safety: photobiological safety: risk group 1 according to EN 62471:2006; Appliance class: class I; Weight: 1200 g; Dimensions: Ø84x149 mm; Energy efficiency class: F (light source) in accordance with EU 2019/2015; Accessories: WB80105 Standard snoot - jasper green, WB80205 Asymmetrical snoot - jasper green, WP0100 Spike for in-ground installation, WP1004 Fastener strap - 5 m, WP10065 Spike for in-ground installation - h 500 mm - jasper green, WP10075 Spike for in-ground installation - h 800 mm - jasper green; tested and approved via E.O.L. (End Of Line) test with functioning test and check of electrical power consumption

Status: Available

ELECTRICAL CHARACTERISTICS

Power consumption	15W
Power supply	230Vac
Power supply unit	built-in power supply unit

LIGHTING CHARACTERISTICS

Number and type of LED	1 COB LED
Average LED life	50 000h L90 B10 (Ta 25°C)
LED colour	4000K
CRI Colour Rendering Index	80
Binning	3-step MacAdam
Optics	15°
Lumen output at source	1476 lm (3000K)
Delivered lumen output	1042 lm (3000K, 39°)

MECHANICAL CHARACTERISTICS

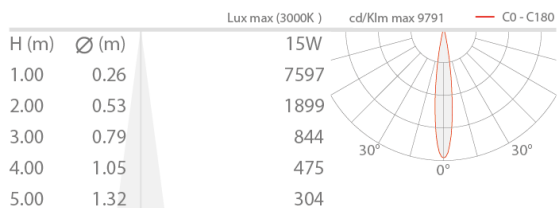
Dimensions	Ø84x149 mm
Weight	1200 g
Finishes	jasper green
Mounting	with bracket, screws and plugs
Body material	body in anticorodal aluminium, bracket in aluminium
Screen material	screen in serigraphed, transparent, tempered extra-clear glass

GENERAL CHARACTERISTICS

Ingress protection	IP66
Operating temperature	-20°C — +45°C
Impact resistance	IK09
Energy efficiency class	F (light source) in accordance with EU 2019/2015
Glow wire test	960°C
Appliance class	class I
Walkover	no
Drive-over	no
Power cables	includes 1.50 m neoprene cable H05RN-F 3x1,0 Ø7 mm
Protection systems	IPS (Intelligent Protection System)
Photobiological safety	photobiological safety: risk group 1 according to EN 62471:2006

PHOTOMETRIC DATA

S - 15°

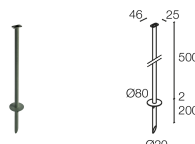


ACCESSORIES

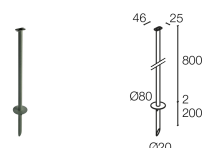
Installation Accessories



WP0100
Spike for in-ground installation



WP10065
Spike for in-ground installation - h 500 mm - jasper green



WP10075
Spike for in-ground installation - h 800 mm - jasper green

Anti-glare



WB80105
Standard snoot - jasper green



WB80205
Asymmetrical snoot - jasper green

Other



WP1004

Fastener strap - 5 m

L&L Luce&Light SRL reserves the right to change the information contained in this document at any time without prior notice being given.