


Made in Italy

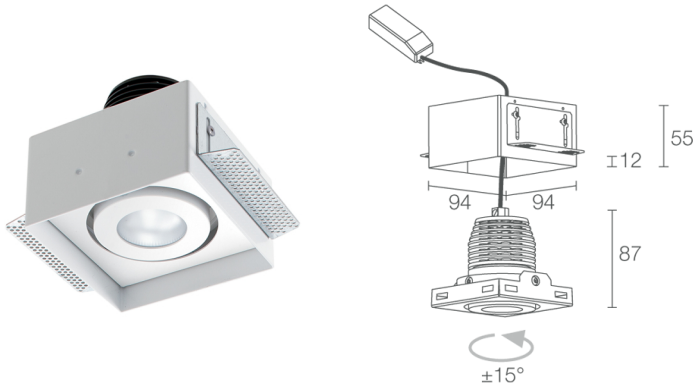
 Quad Maxi 4.1, code: MQ41105MB
Recessed for indoor applications

20/09/2024 Rev. 33




 on request
 

 kg 0,50
  95x95 mm
  IP40
 
 F



DESCRIPTION

recessed downlight for indoor applications; recessed (ceiling); Power consumption: 14W; Power supply: 230Vac; Lumen output at source: 1219 lm (3000K); Delivered lumen output: 950 lm (3000K, 20°); 1 multichip power LED, 2-step MacAdam, 50 000h L85 B10 (Ta 25°C); LED colour: 3000K; Optics: 20° tiltable $\pm 15^\circ$; CRI Colour Rendering Index: 80; Body material: body in anodized aluminium, trim in steel; Finishes: white (RAL 9003); RAL finish on request; Thickness of installation surface: min 5 mm, max 30 mm; power supply unit included; includes 0.30 m cable; Control system: ON/OFF; Ingress protection: IP40; Casambi-compatible version, controllable with the Casambi app, available on request; Operating temperature: 0°C — +45°C; Photobiological safety: photobiological safety: risk group 1 according to EN 62471:2006; Appliance risk class: class II; Weight: 500 g; Dimensions: 95x95x101 mm; Cutout dimensions: 95x95 mm; Volume of thermal heatsink: 190x190x150 mm; Energy efficiency class: F (light source) in accordance with EU 2019/2015; Accessories: WC2401 Outer casing; tested and approved via E.O.L. (End Of Line) test with functioning test and check of electrical power consumption

Status: Product being discontinued

ELECTRICAL CHARACTERISTICS

Power consumption	14W
Power supply	230Vac
Power supply unit	power supply unit included
Control system	ON/OFF

LIGHTING CHARACTERISTICS

Number and type of LED	1 multichip power LED
Average LED life	50 000h L85 B10 (Ta 25°C)
LED colour	3000K
CRI Colour Rendering Index	80
Binning	2-step MacAdam
Optics	20° tiltable ±15°
Lumen output at source	1219 lm (3000K)
Delivered lumen output	950 lm (3000K, 20°)

MECHANICAL CHARACTERISTICS

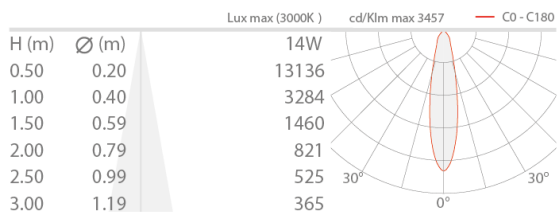
Dimensions	95x95x101 mm
Weight	500 g
Finishes	white RAL 9003
Mounting	with outer casing
Body material	body in anodized aluminium, trim in steel
Cutout dimensions	95x95 mm
Volume of thermal heatsink	190x190x150 mm

GENERAL CHARACTERISTICS

Ingress protection	IP40
Operating temperature	0°C — +45°C
Energy efficiency class	F (light source) in accordance with EU 2019/2015
Appliance class	class II
Walkover	no
Drive-over	no
Power cables	includes 0.30 m cable
Photobiological safety	photobiological safety: risk group 1 according to EN 62471:2006
Notes	Casambi-compatible version, controllable with the Casambi app, available on request

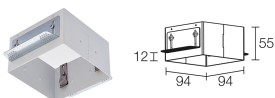
PHOTOMETRIC DATA

M - 20°



ACCESSORIES

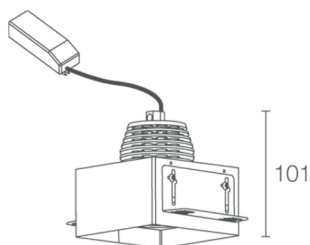
Installation Accessories



WC2401

Outer casing

Required outer casing not included



L&L Luce&Light SRL reserves the right to change the information contained in this document at any time without prior notice being given.