
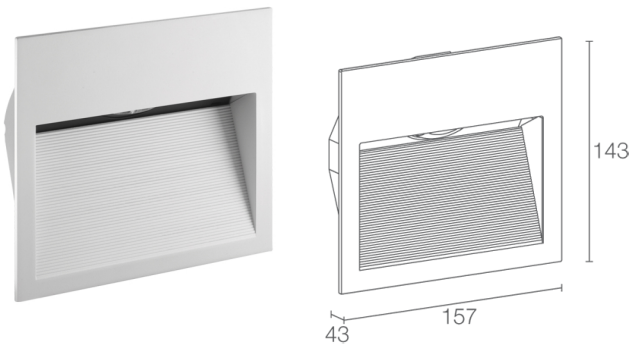


Made in Italy

 Pasito 1.1, code: PA110005AE
Step lights for outdoor applications

16/05/2026 Rev. 10/2024



DESCRIPTION

step light for outdoor applications; recessed, with frame (wall); Power consumption: 6W; Power supply: 24Vdc; Lumen output at source: 851 lm (3000K, CRI 80); Delivered lumen output: 364 lm (3000K, 150°x90° asymmetrical, CRI 80, white finish); 1 high-intensity power LED, 3-step MacAdam, 50 000h L90 B10 (Ta 25°C); LED colour: 3000K; Optics: asymmetrical 150°x90°: optical system consisting of an asymmetrical hemispherical lens, installed at an angle and set back in the chamber to create a controlled downward light beam, reducing light spill to a minimum; Upward flux fraction: 11,83% (asymmetrical 150°x90°, white, grey finish), 1,54% (asymmetrical 150°x90°, cor-ten, anthracite finish), 11,86% (60°, white, grey finish), 4,21% (60°, cor-ten, anthracite finish); CRI Colour Rendering Index: 80; Body material: body made of technopolymer with high resistance to impact and sub-zero temperatures, and heat sink made of aluminium to optimize heat dissipation; Finishes: white finish obtained through an initial treatment with a ceramic nanoparticle coating, to prepare for painting, followed by a coat of epoxy paint and one of polyester paint to provide corrosion resistance of more than 1500 hours of salt spray. Paints compliant with the Qualicoat standard used in the automotive sector (RAL 9003); RAL finish on request; power supply unit not included; includes 0.30 m neoprene cable, H05RN-F 2x0.35/0.75 Ø6.3 mm; Ingress protection: IP65; Impact resistance: IK06; Casambi control using the Casambi app with dedicated electronics; Protection systems: IPS (Intelligent Protection System) protects lighting fixtures from water infiltrations, which can occur if there are faulty junctions between the cables in outdoor or underwater applications. This innovation, patented by L&L, also guarantees electrical protection against polarity reversal, hot plugging, ESD and power surges, which can occur if there are faults in the electrical circuit; Operating temperature: -20°C — +45°C; Photobiological safety: photobiological safety: risk group 1 according to EN 62471:2006; Appliance class: class III; Weight: 460 g; Dimensions: 157x43x143 mm; Cutout dimensions: 143x125 mm; Energy efficiency class: F (light source) in accordance with EU 2019/2015; Accessories: WC1430 Outer casing for solid walls; tested and approved via E.O.L. (End Of Line) test with functioning test and check of electrical power consumption

Status: Available

ELECTRICAL CHARACTERISTICS

Power consumption	6W
Power supply	24Vdc
Power supply unit	power supply unit not included

LIGHTING CHARACTERISTICS

Number and type of LED	1 high-intensity power LED
Average LED life	50 000h L90 B10 (Ta 25°C)
LED colour	3000K
CRI Colour Rendering Index	80
Binning	3-step MacAdam
Optics	asymmetrical 150°x90°
Lumen output at source	851 lm (3000K, CRI 80)
Delivered lumen output	364 lm (3000K, 150°x90° asymmetrical, CRI 80, white finish)

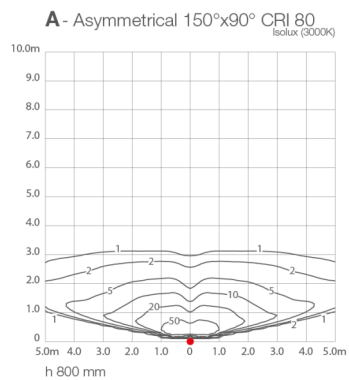
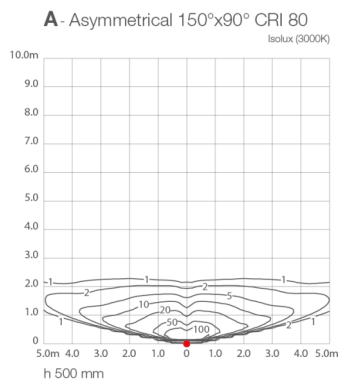
MECHANICAL CHARACTERISTICS

Dimensions	157x43x143 mm
Weight	460 g
Finishes	white RAL 9003
Mounting	with fixing springs or outer casing
Body material	body in technopolymer and aluminium
Cutout dimensions	143x125 mm

GENERAL CHARACTERISTICS

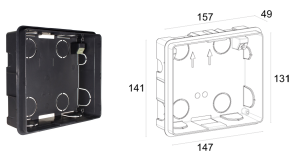
Ingress protection	IP65
Operating temperature	-20°C — +45°C
Impact resistance	IK06
Energy efficiency class	F (light source) in accordance with EU 2019/2015
Appliance class	class III
Walkover	no
Drive-over	no
Power cables	includes 0.30 m neoprene cable, H05RN-F 2x0.35/0.75 Ø6.3 mm
Protection systems	IPS (Intelligent Protection System)
Photobiological safety	photobiological safety: risk group 1 according to EN 62471:2006
Notes	Casambi control using the Casambi app with dedicated electronics

PHOTOMETRIC DATA



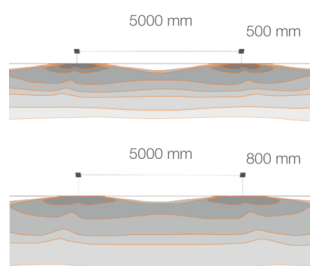
ACCESSORIES

Installation Accessories



WC1430

Outer casing for solid walls



A - Asymmetrical 150°x90°

L&L Luce&Light SRL reserves the right to change the information contained in this document at any time without prior notice being given.