


Made in Italy

 **Litus 1.1, code: LT111015SNV**
Recessed for outdoor applications

10/06/2026 Rev. 12/2024





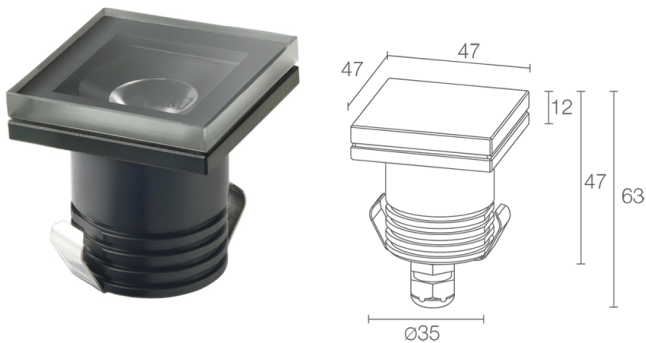
 on request
 











DESCRIPTION

recessed for outdoor applications; drive-over up to 1000 kg; walkover; recessed (ceiling, wall, floor); Power consumption: max 2W; Power supply: max 700mA; Lumen output at source: 196 lm (3000K, 700mA, CRI >90); Delivered lumen output: 165 lm (3000K, 700mA, 22°, CRI >90); 1 power LED, 1/4 ANSI BIN, 50 000h L90 B10 (Ta 25°C); LED colour: 3000K; Optics: 13°: optical system consisting of a high-efficiency TIR lens combined with a high-quality technical filter; CRI Colour Rendering Index: >90; Body material: body made of ANTICORODAL 6082 aluminium alloy, made entirely on a CNC lathe and then electro-coloured black; Screen material: 6-mm-thick transparent extra-clear glass, high transmittance to ensure chromatic uniformity of light and tempered for excellent resistance to knocks and scratches, with a RAL 7015 signal grey serigraphed border; Thickness of installation surface: 12.5 mm; power supply unit not included; Wiring: series; includes 1.5 m neoprene cable H05RN-F 2x0.75/0.75 Ø6.3 mm; Control system: dimming via dimmable driver; Ingress protection: IP67; Impact resistance: IK08; version with screen in serigraphed-white glass available on request; Casambi control using the Casambi app with dedicated electronics; Protection systems: IPS (Intelligent Protection System) protects lighting fixtures from water infiltrations, which can occur if there are faulty junctions between the cables in outdoor or underwater applications. This innovation, patented by L&L, also guarantees electrical protection against polarity reversal, hot plugging, ESD and power surges, which can occur if there are faults in the electrical circuit; Operating temperature: -20°C — +45°C; Maximum device temperature: 40°C (Ta 25°C); Glow wire test: 960°C; Photobiological safety: photobiological safety: risk group 1 according to EN 62471:2006; Appliance class: class III; Weight: 200 g; Dimensions: 47x47x63 mm; Cutout dimensions: 48x48 mm; Volume of thermal heatsink: Ø120x110 mm; Energy efficiency class: F (light source) in accordance with EU 2019/2015; Accessories: WC4011 Outer casing, WC4511 Outer casing for plasterboard, WE0601S Anti-glare screen, half transparent and half serigraphed black, WL0100 Suction cup; tested and approved via E.O.L. (End Of Line) test with functioning test and check of electrical power consumption

Status: Available

ELECTRICAL CHARACTERISTICS

Power consumption	max 2W
Power supply	max 700mA
Power supply unit	power supply unit not included
Control system	dimming via dimmable driver
Wiring	series

LIGHTING CHARACTERISTICS

Number and type of LED	1 power LED
Average LED life	50 000h L90 B10 (Ta 25°C)
LED colour	3000K
CRI Colour Rendering Index	>90
Binning	1/4 ANSI BIN
Optics	13°
Lumen output at source	196 lm (3000K, 700mA, CRI >90)
Delivered lumen output	165 lm (3000K, 700mA, 22°, CRI >90)

MECHANICAL CHARACTERISTICS

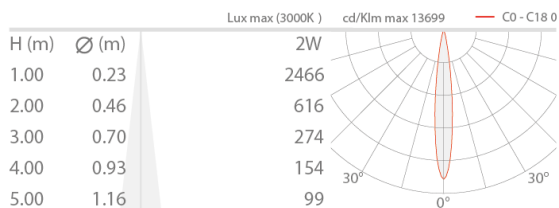
Dimensions	47x47x63 mm
Weight	200 g
Mounting	with outer casing
Body material	body in black-anodized anticorodal aluminium
Screen material	screen in serigraphed-grey and transparent, tempered extra-clear glass
Cutout dimensions	48x48 mm
Volume of thermal heatsink	Ø120x110 mm

GENERAL CHARACTERISTICS

Ingress protection	IP67
Operating temperature	-20°C — +45°C
Impact resistance	IK08
Energy efficiency class	F (light source) in accordance with EU 2019/2015
Glow wire test	960°C
Maximum device temperature	40°C (Ta 25°C)
Appliance class	class III
Walkover	yes
Drive-over	up to 1000 kg
Power cables	includes 1.5 m neoprene cable H05RN-F 2x0.75/0.75 Ø6.3 mm
Protection systems	IPS (Intelligent Protection System)
Photobiological safety	photobiological safety: risk group 1 according to EN 62471:2006
Notes	version with screen in serigraphed-white glass available on request; Casambi control using the Casambi app with dedicated electronics

PHOTOMETRIC DATA

S - 13° CRI 80

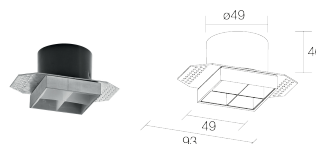


ACCESSORIES

Installation Accessories



WC4011
Outer casing



WC4511
Outer casing for plasterboard

Optical Accessories



WE0601S

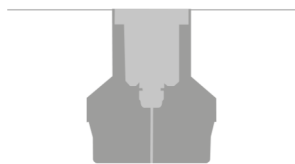
Anti-glare screen, half transparent and half serigraphed black built into the lighting fixture
Can be fitted on all optics except for 48° optics
Order together with the lighting fixture

Other



WL0100

Suction cup
Recommended accessory



Installation flush with ground

L&L Luce&Light SRL reserves the right to change the information contained in this document at any time without prior notice being given.