


Made in Italy

 **Ginko 2.0, code: GN20011FMN**
Projectors for outdoor applications







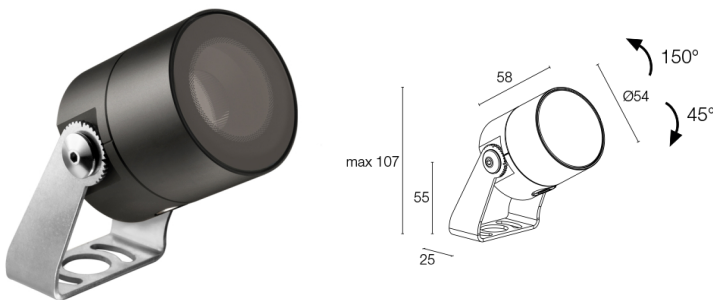
 kg 0,410 - 0,825 - 0,910
 







20/05/2026 Rev. 13/2024



DESCRIPTION

projector for outdoor applications; surface mounted (ceiling, wall, ground, spike); Power consumption: 5W; Power supply: 24Vdc; Lumen output at source: 452 lm (3000K, 5W, CRI >90); Delivered lumen output: 284 lm (3000K, 34°, 5W, CRI >90); 1 high-intensity power LED, 3-step MacAdam, 50 000h L90 B10 (Ta 25°C); LED colour: 2700K; Optics: 34°: optical system consisting of a high-efficiency TIR lens; CRI Colour Rendering Index: >90; Body material: body made of ANTICORODAL 6082 low-copper-content aluminium alloy for excellent resistance to corrosion, made entirely on a CNC lathe. Bracket in AISI 316L stainless steel, tumble finished; Finishes: black finish obtained by electro-colouring, which offers the product better heat dissipation and provides corrosion resistance of more than 1500 hours of salt spray; RAL finish on request; Screen material: 4-mm-thick transparent extra-clear glass, with high transmittance to ensure chromatic uniformity of light and tempered for excellent resistance to knocks and scratches, with RAL 7015 grey vitrified serigraphy around the edge; power supply unit not included; includes 1.5 m neoprene cable H05RN-F 2x0.75/0.75 Ø6.3 mm; Ingress protection: IP66, IP69; Impact resistance: IK07; Casambi control using the Casambi app with dedicated electronics; Protection systems: IPS (Intelligent Protection System) protects lighting fixtures from water infiltrations, which can occur if there are faulty junctions between the cables in outdoor or underwater applications. This innovation, patented by L&L, also guarantees electrical protection against polarity reversal, hot plugging, ESD and power surges, which can occur if there are faults in the electrical circuit; The PID (Protective Impedance Device) protects lighting fixtures from electrical phenomena external to the system, such as static electricity accumulation or electromagnetic interference coming from the mains power. Generally, these are events with a low energy content; Operating temperature: -20°C — +45°C; Glow wire test: 960°C; Photobiological safety: in accordance with IEC TR 62778:2014; Appliance class: class III; Weight: 410 g, stainless steel: 825 g, brass: 910 g; Dimensions: Ø54x58 mm; Energy efficiency class: F (light source) in accordance with EU 2019/2015; Accessories: WB8012N Standard snoot - black anodized, WB8022N Asymmetrical snoot - black anodized, WF3301 Flexible cable-protection tube - 15 cm, WH0201 Honeycomb louvre , WP0300 Spike for in-ground installation, WP1004 Fastener strap - 5 m, WP1006I Spike for in-ground installation - h 500 mm - stainless steel, WP1007I Spike for in-ground installation - h 800 mm - stainless steel; tested and approved via E.O.L. (End Of Line) test with functioning test and check of electrical power consumption

Status: Available

ELECTRICAL CHARACTERISTICS

Power consumption	5W
Power supply	24Vdc
Power supply unit	power supply unit not included

LIGHTING CHARACTERISTICS

Number and type of LED	1 high-intensity power LED
Average LED life	50 000h L90 B10 (Ta 25°C)
LED colour	2700K
CRI Colour Rendering Index	>90
Binning	3-step MacAdam
Optics	34°
Lumen output at source	452 lm (3000K, 5W, CRI >90)
Delivered lumen output	284 lm (3000K, 34°, 5W, CRI >90)

MECHANICAL CHARACTERISTICS

Dimensions	Ø54x58 mm
Weight	410 g, stainless steel: 825 g, brass: 910 g
Finishes	anodized black
Mounting	with bracket, screws and plugs
Body material	body in anticorrosive aluminium, AISI 316L stainless steel bracket
Screen material	screen in serigraphed-grey and transparent, tempered extra-clear glass

GENERAL CHARACTERISTICS

Ingress protection	IP66, IP69
Operating temperature	-20°C — +45°C
Impact resistance	IK07
Energy efficiency class	F (light source) in accordance with EU 2019/2015
Glow wire test	960°C
Appliance class	class III
Walkover	no
Drive-over	no
Power cables	includes 1.5 m neoprene cable H05RN-F 2x0.75/0.75 Ø6.3 mm
Protection systems	IPS (Intelligent Protection System); PID (Protective Impedance Device)
Photobiological safety	in accordance with IEC TR 62778:2014
Notes	Casambi control using the Casambi app with dedicated electronics

PHOTOMETRIC DATA

M - 34° CRI 80



ACCESSORIES

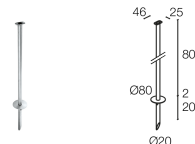
Installation Accessories



WP0300
Spike for in-ground installation



WP1006I
Spike for in-ground installation - h 500 mm - stainless steel



WP1007I
Spike for in-ground installation - h 800 mm - stainless steel

Anti-glare



WB8012N
Standard snoot - black anodized



WB8022N
Asymmetrical snoot - black anodized



WH0201
Honeycomb louvre
built into the lighting fixture

The honeycomb louvre can be fitted on all optics, except for sharp optics
Order together with the lighting fixture

Other



WF3301

Flexible cable-protection tube - 15 cm
Order together with the lighting fixture



WP1004

Fastener strap - 5 m

L&L Luce&Light SRL reserves the right to change the information contained in this document at any time without prior notice being given.