
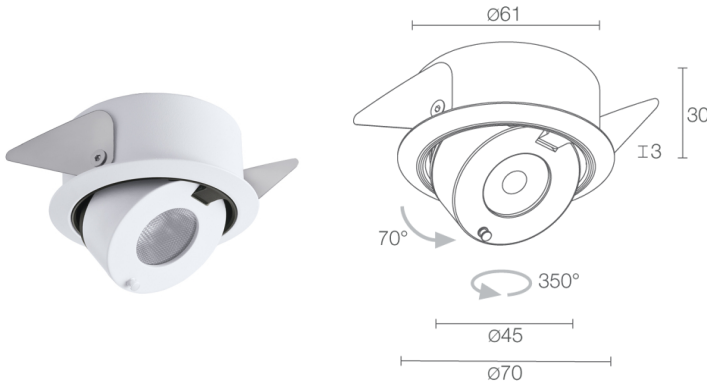
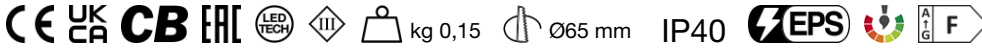


Made in Italy

 Ciak 2.7, code: CK27001FLB
Recessed for indoor applications

26/06/2026 Rev. 10/2024



DESCRIPTION

recessed downlight for indoor applications; recessed (ceiling, shelf, shop window); Power consumption: 5W; Power supply: 24Vdc; Lumen output at source: 452 lm (3000K); Delivered lumen output: 303 lm (3000K, 32°); 1 high-intensity power LED, 3-step MacAdam, 50 000h L95 B10 (Ta 25°C); LED colour: 2700K; Optics: 32°: optical system consisting of a high-efficiency TIR lens; CRI Colour Rendering Index: >90; Body material: radiator in black anodized aluminium acting as a cooling element. Body and recessing frame in aluminium, made entirely on a CNC lathe. Springs in AISI 301 harmonic steel. With a cardan restraint system for adjustment in the 2 axes; Finishes: body and frame painted white (RAL 9003); RAL finish on request; Installation: its low height of 30 mm means it can be recessed into shallow shelves such as those in shop windows and display cabinets and still respect the volumes necessary for efficient heat transfer; Thickness of installation surface: min 5 mm, max 30 mm; power supply unit not included; includes 1.5 m PVC cable FROR 2x0.35/0.35 Ø3.5 mm; Ingress protection: IP40; the light beam can be precisely directed thanks to the great adjustability of the optical unit: rotation up to 350° around the vertical axis and tilting up to 70° along the horizontal axis; Casambi control using the Casambi app with dedicated electronics; Protection systems: EPS protects fixtures for indoor applications against electrical problems. This innovation, patented by L&L, guarantees electrical protection against polarity reversal, hot plugging and voltage spikes of up to 48Vdc, which can occur if there are faults in the electrical circuit; Operating temperature: 0°C — +45°C; Photobiological safety: photobiological safety: risk group 1 according to EN 62471:2006; Appliance class: class III; Weight: 150 g; Dimensions: ø70x30 mm; Cutout dimensions: Ø65 mm; Energy efficiency class: F (light source) in accordance with EU 2019/2015; tested and approved via E.O.L. (End Of Line) test with functioning test and check of electrical power consumption

Status: Available

ELECTRICAL CHARACTERISTICS

Power consumption	5W
Power supply	24Vdc
Power supply unit	power supply unit not included

LIGHTING CHARACTERISTICS

Number and type of LED	1 high-intensity power LED
Average LED life	50 000h L95 B10 (Ta 25°C)
LED colour	2700K
CRI Colour Rendering Index	>90
Binning	3-step MacAdam
Optics	32°
Lumen output at source	452 lm (3000K)
Delivered lumen output	303 lm (3000K, 32°)

MECHANICAL CHARACTERISTICS

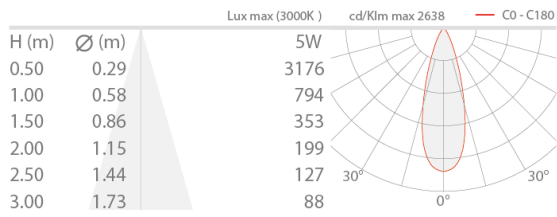
Dimensions	ø70x30 mm
Weight	150 g
Finishes	white RAL 9003
Mounting	with fixing springs
Body material	body and trim in aluminium
Cutout dimensions	Ø65 mm

GENERAL CHARACTERISTICS

Ingress protection	IP40
Operating temperature	0°C — +45°C
Energy efficiency class	F (light source) in accordance with EU 2019/2015
Appliance class	class III
Walkover	no
Drive-over	no
Power cables	includes 1.5 m PVC cable FROR 2x0.35/0.35 Ø3.5 m
Protection systems	EPS (Electrical Protection System)
Photobiological safety	photobiological safety: risk group 1 according to EN 62471:2006
Notes	the light beam can be precisely directed thanks to the great adjustability of the optical unit: rotation up to 350° around the vertical axis and tilting up to 70° along the horizontal axis; Casambi control using the Casambi app with dedicated electronics

PHOTOMETRIC DATA

L - 32°



L&L Luce&Light SRL reserves the right to change the information contained in this document at any time without prior notice being given.