

UPDOWN

OUTDOOR WALL MOUNTED WITH VARIOUS BEAMS, AND WHITE AND RGB LIGHT



narrow medium wide



2700K 3000K 4000K blue



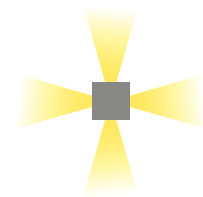
SINGLE BEAM



DOUBLE BEAM



DOUBLE BEAM



2 / 3 / 4 BEAMS

CONSTANT CURRENT



UPDOWN 3.0

p. 358

max 6W max 500mA

RGB: max 3W max 350mA



UPDOWN 4.0

p. 359

max 6W max 350mA



UPDOWN 6.0

p. 360

max 4W max 500mA



UPDOWN 7.0

p. 361

max 4W/6W/8W max 500mA

CONSTANT VOLTAGE



UPDOWN 3.6

p. 358

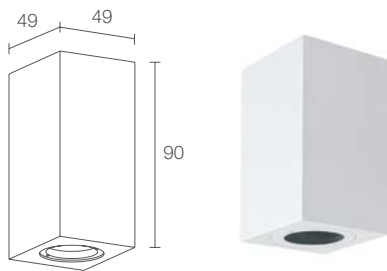
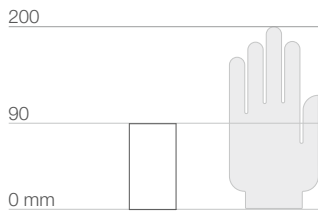
6W 24Vdc



UPDOWN 4.6

p. 359

6W 24Vdc



UPDOWN 3.0



POWER / POWER SUPPLY CODE

max 6W max 500mA blue/white light

UD3032 ■ **E** White
UD3032 ■ **A** Anodized grey
UD3032 ■ **H** Anthracite
UD3032 ■ **T** Cor-ten

max 3W max 350mA RGB light

UD3031 6 ■ **E** White
UD3031 6 ■ **A** Anodized grey
UD3031 6 ■ **H** Anthracite
UD3031 6 ■ **T** Cor-ten

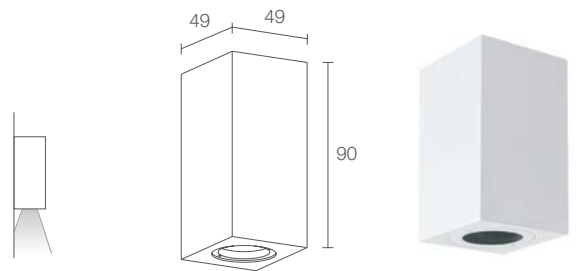
LED COLOUR

F - 2700K
5 - 3000K
9 - 4000K
1 - blue

OPTICS

S - 15°
M - 22°
L - 54°

LUMEN OUTPUT AT SOURCE	436 lm (3000K, 500mA) RGB: 160 lm, R: 59 lm G: 76 lm B: 25 lm (350mA)
DELIVERED LUMEN OUTPUT	239 lm (3000K, 500mA, 22°) RGB: 114 lm, R: 42 lm G: 54 lm B: 18 lm (350mA, 22°)
NO. AND TYPE OF LED	3 power LEDs 1/4 ANSI BIN (white LED colour) 50000h L90 B10 (Ta 25°C)
MATERIAL	body in anodized aluminium screen in transparent extra-clear glass
POWER SUPPLY UNIT	not included, see p. 904 and 917
POWER CABLES	includes 0.30 m PVC cable FROR 2x0.35 Ø3.5 mm
WIRING	series
MOUNTING	surface mounted (wall)
ACCESSORIES	see p. 363
NOTES	spacer with RAL finish available on request
PHOTOMETRIC DATA	see p. 898



UPDOWN 3.6



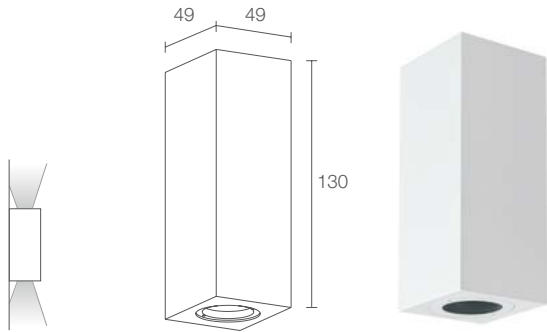
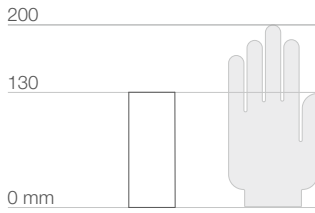
6W 24Vdc

UD3600 ■ **E** White
UD3600 ■ **A** Anodized grey
UD3600 ■ **H** Anthracite
UD3600 ■ **T** Cor-ten

F - 2700K
5 - 3000K
9 - 4000K
1 - blue

S - 15°
M - 22°
L - 54°

LUMEN OUTPUT AT SOURCE	436 lm (3000K)
DELIVERED LUMEN OUTPUT	239 lm (3000K, 22°)
NO. AND TYPE OF LED	3 power LEDs 1/4 ANSI BIN (white LED colour) 50000h L90 B10 (Ta 25°C)
MATERIAL	body in anodized aluminium screen in transparent extra-clear glass
POWER SUPPLY UNIT	not included, see p. 904
POWER CABLES	includes 0.30 m PVC cable FROR 2x0.35 Ø3.5 mm
WIRING	parallel
MOUNTING	surface mounted (wall)
ACCESSORIES	see p. 363
NOTES	spacer with RAL finish available on request
PHOTOMETRIC DATA	see p. 898



UPDOWN 4.0



max 6W max 350mA
UD4061 ■ ■ ■ **E** White
UD4061 ■ ■ ■ **A** Anodized grey
UD4061 ■ ■ ■ **H** Anthracite
UD4061 ■ ■ ■ **T** Cor-ten

■	F - 2700K 5 - 3000K 9 - 4000K 1 - blue 6 - RGB
■	UP optics: S - 15° M - 22° L - 54°
	DOWN optics: S - 15° M - 22° L - 54°

472 lm (3000K, 350mA),
 RGB: 320 lm, R: 118 lm G: 152 lm B: 50 lm (350mA)

364 lm (3000K, 350mA, 22°),
 RGB: 228 lm, R: 84 lm G: 108 lm B: 36 lm (350mA, 22°)

6 power LEDs
 1/4 ANSI BIN (white LED colour)
 50000h L90 B10 (Ta 25°C)

body in anodized aluminium
 screen in transparent extra-clear glass

not included, see p. 904 and 917

includes 0.30 m PVC cable
 FROR 2x0.35 Ø3.5 mm

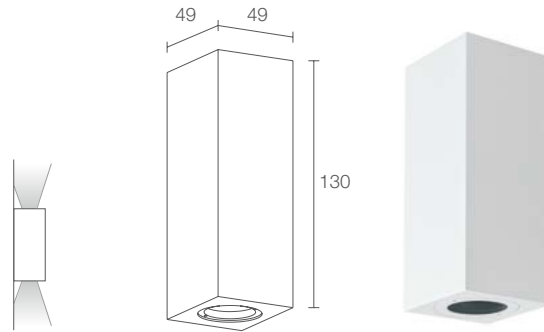
series

surface mounted (wall)

see p. 363

spacer with RAL finish available on request

see p. 898



UPDOWN 4.6



6W 24Vdc
UD4600 ■ ■ ■ **E** White
UD4600 ■ ■ ■ **A** Anodized grey
UD4600 ■ ■ ■ **H** Anthracite
UD4600 ■ ■ ■ **T** Cor-ten

■	F - 2700K 5 - 3000K 9 - 4000K 1 - blue
■	UP optics: S - 15° M - 22° L - 54°
	DOWN optics: S - 15° M - 22° L - 54°

472 lm (3000K)

364 lm (3000K, 22°)

6 power LEDs
 1/4 ANSI BIN (white LED colour)
 50000h L90 B10 (Ta 25°C)

body in anodized aluminium
 screen in transparent extra-clear glass

not included, see p. 904

includes 0.30 m PVC cable
 FROR 2x0.35 Ø3.5 mm

parallel

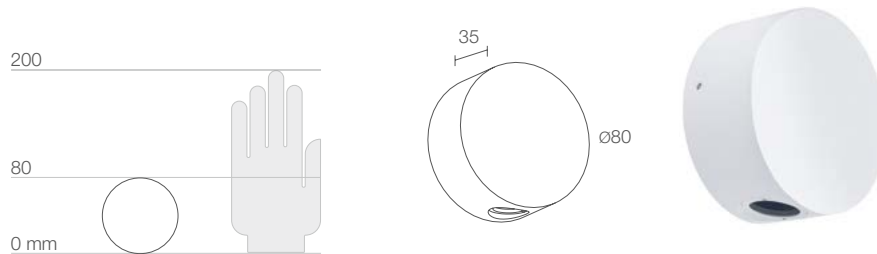
surface mounted (wall)

see p. 363

spacer with RAL finish available on request

see p. 898





UPDOWN 6.0



POWER / POWER SUPPLY CODE

max 4W max 500mA

UD6022 ■ ■ ■ **E** White
UD6022 ■ ■ ■ **A** Anodized grey
UD6022 ■ ■ ■ **H** Anthracite
UD6022 ■ ■ ■ **T** Cor-ten

LED COLOUR

F - 2700K
5 - 3000K
9 - 4000K
1 - blue

OPTICS

UP optics:	DOWN optics:
S - 10°	S - 10°
M - 20°	M - 20°
L - 40°	L - 40°

LUMEN OUTPUT AT SOURCE 290 lm (3000K, 500mA)

DELIVERED LUMEN OUTPUT 206 lm (3000K, 500mA, 20°)

NO. AND TYPE OF LED 2 power LEDs
 1/4 ANSI BIN (white LED colour)
 50000h L90 B10 (Ta 25°C)

MATERIAL body in anodized aluminium
 screen in transparent, tempered glass

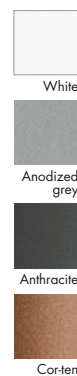
POWER SUPPLY UNIT not included, see p. 904

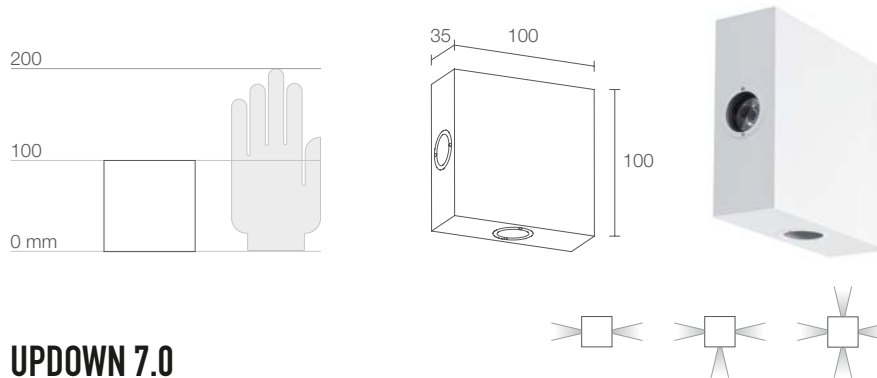
POWER CABLES includes 0.30 m PVC cable
 FROR 2x0.35 Ø3.5 mm

WIRING series

MOUNTING surface mounted (wall)

PHOTOMETRIC DATA see p. 898





UPDOWN 7.0



POWER / POWER SUPPLY CODE

max 4W	max 500mA	double beam
UD7022	E	White
UD7022	A	Anodized grey
UD7022	H	Anthracite
UD7022	T	Cor-ten
max 6W	max 500mA	3 beams
UD7032	E	White
UD7032	A	Anodized grey
UD7032	H	Anthracite
UD7032	T	Cor-ten
max 8W	max 500mA	4 beams
UD7042	E	White
UD7042	A	Anodized grey
UD7042	H	Anthracite
UD7042	T	Cor-ten

LED COLOUR	F - 2700K 5 - 3000K 9 - 4000K 1 - blue
OPTICS	S - 10° M - 20° L - 40°

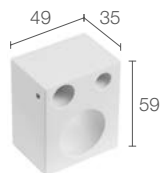
LUMEN OUTPUT AT SOURCE	290 lm (3000K, 500mA) 435 lm (3000K, 500mA) 580 lm (3000K, 500mA)
DELIVERED LUMEN OUTPUT	206 lm (3000K, 500mA, 20°) 309 lm (3000K, 500mA, 20°) 412 lm (3000K, 500mA, 20°)
NO. AND TYPE OF LED	2, 3, 4 power LEDs, 1/4 ANSI BIN (white LED colour) 50000h L90 B10 (Ta 25°C)
MATERIAL	body in anodized aluminium screen in transparent, tempered glass
POWER SUPPLY UNIT	not included, see p. 904
POWER CABLES	includes 0.30 m PVC cable FROR 2x0.35 Ø3.5 mm
WIRING	series
MOUNTING	surface mounted (wall)
PHOTOMETRIC DATA	see p. 898



VIGNAIOLI
CONTRÀ
S  ARDA



ACCESSORIES

ACCESSORIES
FOR INSTALLATION

WD0103 - White

WD0100 - Anodized grey

WD0104 - Anthracite

WD0102 - Cor-ten

Spacer

RAL finish available on request

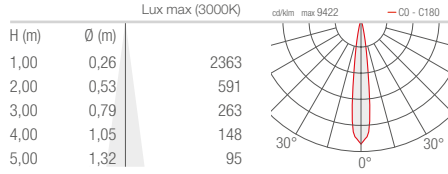
(Updown 3 / 4)

UPDOWN

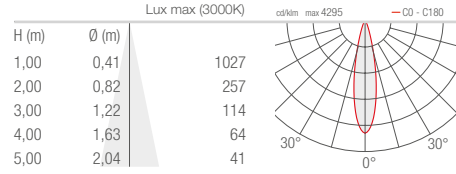
OUTDOOR WALL MOUNTED

UPDOWN 3.0 3.6

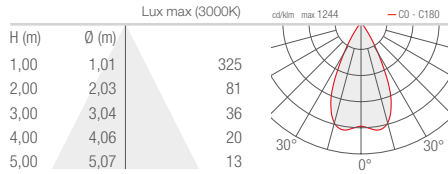
S - 15°



M - 22°

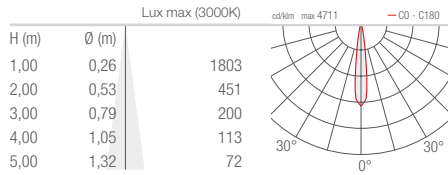


L - 54°

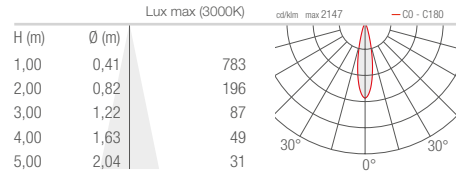


UPDOWN 4.0 4.6

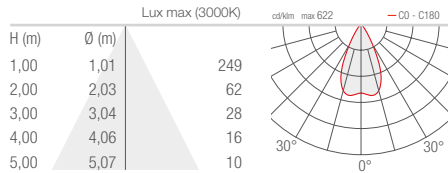
S - 15°



M - 22°

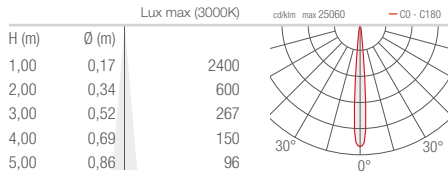


L - 54°

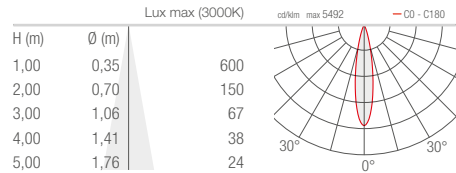


UPDOWN 6.0 7.0

S - 10°



M - 20°



L - 40°

