



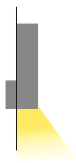
< **STEP OUTSIDE 5.2**  
3000K, 2W, customized version  
with anthracite finish

Project by / arch. Fernanda Cantone  
Light planning by / Light Style  
Castello Tafuri Charming Suites  
Portopalo di Capo Passero, Syracuse, Italy

## SQUARE COVER

### SEMI-RECESSED

2700K 3000K 4000K 5000K blue



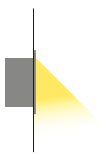
**STEP OUTSIDE 2.0** p. 432  
max 2W max 500mA  
constant current



**STEP OUTSIDE 2.6** p. 433  
2W 24Vdc  
constant voltage

### RECESSED

2700K 3000K 4000K 5000K blue



**STEP OUTSIDE 6.1** p. 436  
max 2W max 500mA  
constant current



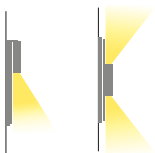
**STEP OUTSIDE 6.2** p. 437  
max 2W max 500mA  
constant current



**STEP OUTSIDE 6.3** p. 437  
max 2W max 500mA  
constant current

### SURFACE MOUNTED

3000K 4000K 5000K



**STEP OUTSIDE 7.0** p. 439  
3.5W 24Vdc  
constant voltage



**STEP OUTSIDE 8.0** p. 439  
3.5W 24Vdc  
constant voltage

### INDOOR

**STEP INSIDE 2** p. 704

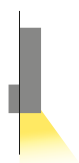
# STEP OUTSIDE

## OUTDOOR STEP LIGHTS ORIENTATION LIGHT AND LIGHTING FOR WALKWAYS AND STEPS

### ROUND COVER

---

#### SEMI-RECESSED



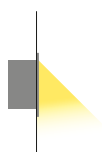
**STEP OUTSIDE 2.1** p. 432  
max 2W max 500mA  
constant current



**STEP OUTSIDE 2.7** p. 433  
2W 24Vdc  
constant voltage

---

#### RECESSED



**STEP OUTSIDE 5.1** p. 435  
max 2W max 500mA  
constant current



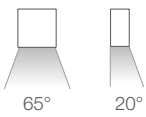
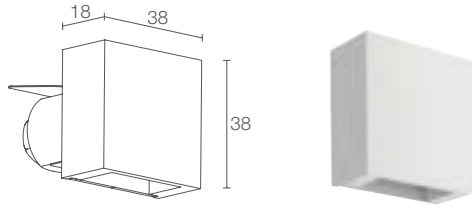
**STEP OUTSIDE 5.2** p. 435  
max 2W max 500mA  
constant current

---

#### INDOOR

**STEP INSIDE 2** p. 704

---



## STEP OUTSIDE 2.0



### POWER / POWER SUPPLY CODE

max 2W max 500mA  
**SP2012** ■ **DAE** - ■ White  
**SP2012** ■ **DAN** - ■ Black  
**SP2012** ■ **DAT** - ■ Cor-ten

### LED COLOUR

**F** - 2700K  
**5** - 3000K  
**9** - 4000K  
**0** - 5000K  
**1** - blue

### POWER CABLES

includes 1.5 m neoprene cable  
 H05RN-F 2x0.35/0.75 Ø6.3 mm  
**1** - 5 m  
**2** - 10 m  
**3** - 15 m  
**4** - 20 m

### OPTICS

diffuse

LUMEN OUTPUT AT SOURCE 145 lm (3000K, 500mA)

DELIVERED LUMEN OUTPUT 35 lm (3000K, 500mA)

NO. AND TYPE OF LED 1 power LED  
 1/4 ANSI BIN (white LED colour)  
 50000h L90 B10 (Ta 25°C)

MATERIAL body and cover in aluminium  
 screen in transparent extra-clear glass

POWER SUPPLY UNIT not included, see p. 904

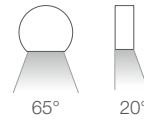
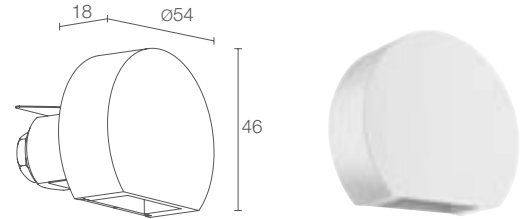
WIRING series

MOUNTING semi-recessed (wall)

ACCESSORIES see p. 441

NOTES indoor version: Step Inside 2.2, p. 706  
 certified ETL version available on request

PHOTOMETRIC DATA see p. 885



## STEP OUTSIDE 2.1



max 2W max 500mA  
**SP2112** ■ **DAE** - ■ White  
**SP2112** ■ **DAN** - ■ Black  
**SP2112** ■ **DAT** - ■ Cor-ten

**F** - 2700K  
**5** - 3000K  
**9** - 4000K  
**0** - 5000K  
**1** - blue

includes 1.5 m neoprene cable  
 H05RN-F 2x0.35/0.75 Ø6.3 mm  
**1** - 5 m  
**2** - 10 m  
**3** - 15 m  
**4** - 20 m

diffuse

145 lm (3000K, 500mA)

35 lm (3000K, 500mA)

1 power LED  
 1/4 ANSI BIN (white LED colour)  
 50000h L90 B10 (Ta 25°C)

body and cover in aluminium  
 screen in transparent extra-clear glass

not included, see p. 904

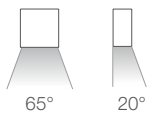
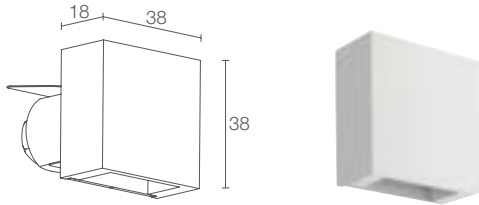
series

semi-recessed (wall)

see p. 441

indoor version: Step Inside 2.3, p. 706  
 certified ETL version available on request

see p. 885



## STEP OUTSIDE 2.6



2W 24Vdc

**SP2600** **D E** - ■ White  
**SP2600** **D N** - ■ Black  
**SP2600** **D T** - ■ Cor-ten

■ **F** - 2700K  
**5** - 3000K  
**9** - 4000K  
**0** - 5000K  
**1** - blue

■ includes 1.5 m neoprene cable  
H05RN-F 2x0.35/0.75 Ø6.3 mm  
**1** - 5 m  
**2** - 10 m  
**3** - 15 m  
**4** - 20 m

diffuse

145 lm (3000K)

35 lm (3000K)

1 power LED  
1/4 ANSI BIN (white LED colour)  
50000h L90 B10 (Ta 25°C)

body and cover in aluminium  
screen in transparent extra-clear glass

not included, see p. 904

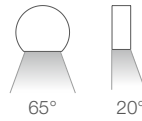
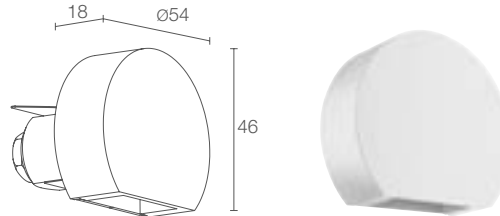
parallel

semi-recessed (wall)

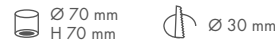
see p. 441

indoor version: Step Inside 2.8, p. 707  
certified ETL version available on request

see p. 885



## STEP OUTSIDE 2.7



2W 24Vdc

**SP2700** **D E** - ■ White  
**SP2700** **D N** - ■ Black  
**SP2700** **D T** - ■ Cor-ten

■ **F** - 2700K  
**5** - 3000K  
**9** - 4000K  
**0** - 5000K  
**1** - blue

■ includes 1.5 m neoprene cable  
H05RN-F 2x0.35/0.75 Ø6.3 mm  
**1** - 5 m  
**2** - 10 m  
**3** - 15 m  
**4** - 20 m

diffuse

145 lm (3000K)

35 lm (3000K)

1 power LED  
1/4 ANSI BIN (white LED colour)  
50000h L90 B10 (Ta 25°C)

body and cover in aluminium  
screen in transparent extra-clear glass

not included, see p. 904

parallel

semi-recessed (wall)

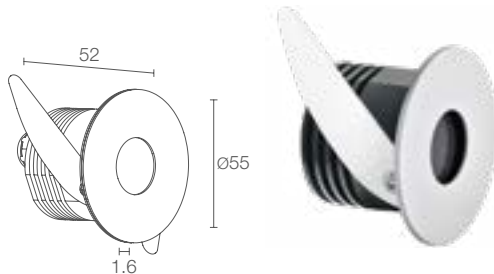
see p. 441

indoor version: Step Inside 2.9, p. 707  
certified ETL version available on request

see p. 885







## STEP OUTSIDE 5.1

Ø 70 mm  
H 90 mm

Ø 45 mm

CE ENEC LED TECH III kg 0.24 IP65  
A A+ A++ IPS CASAMBI

### POWER / POWER SUPPLY CODE

max 2W max 500mA  
**SP5112** **A A E** - White  
**SP5112** **A A S** - Satin  
**SP5112** **A A N** - Black  
**SP5112** **A A T** - Cor-ten

### LED COLOUR

**F** - 2700K  
**5** - 3000K  
**9** - 4000K  
**0** - 5000K  
**1** - blue

### POWER CABLES

includes 1.5 m neoprene cable  
 H05RN-F 2x0.35/0.75 Ø6.3 mm  
**1** - 5 m  
**2** - 10 m  
**3** - 15 m  
**4** - 20 m

### OPTICS

asymmetrical

LUMEN OUTPUT AT SOURCE 145 lm (3000K, 500mA)

DELIVERED LUMEN OUTPUT 34 lm (3000K, 500mA)

NO. AND TYPE OF LED 1 power LED  
 1/4 ANSI BIN (white LED colour)  
 50000h L90 B10 (Ta 25°C)

MATERIAL body in aluminium, cover in stainless steel  
 screen in transparent plexiglass

POWER SUPPLY UNIT not included, see p. 904

WIRING series

MOUNTING recessed (wall)

ACCESSORIES see p. 441

NOTES certified ETL version available on request

PHOTOMETRIC DATA see p. 885

## STEP OUTSIDE 5.2

Ø 70 mm  
H 90 mm

Ø 45 mm

CE ENEC LED TECH III kg 0.24 IP65  
A A+ A++ IPS CASAMBI

max 2W max 500mA  
**SP5212** **A A E** - White  
**SP5212** **A A S** - Satin  
**SP5212** **A A N** - Black  
**SP5212** **A A T** - Cor-ten

**F** - 2700K  
**5** - 3000K  
**9** - 4000K  
**0** - 5000K  
**1** - blue

includes 1.5 m neoprene cable  
 H05RN-F 2x0.35/0.75 Ø6.3 mm  
**1** - 5 m  
**2** - 10 m  
**3** - 15 m  
**4** - 20 m

asymmetrical

145 lm (3000K, 500mA)

42 lm (3000K, 500mA)

1 power LED  
 1/4 ANSI BIN (white LED colour)  
 50000h L90 B10 (Ta 25°C)

body in aluminium, cover in stainless steel  
 screen in transparent plexiglass

not included, see p. 904

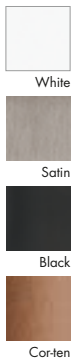
series

recessed (wall)

see p. 441

certified ETL version available on request

see p. 885



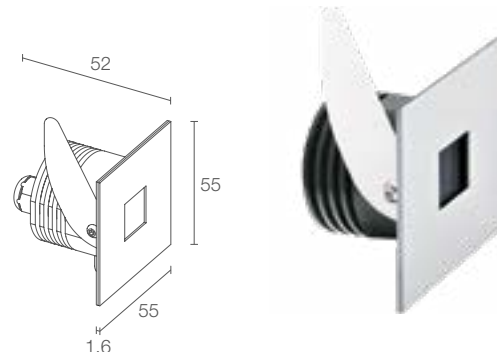
### < STEP OUTSIDE 5.2

3000K, 2W, customized version  
 with anthracite finish

Project by / arch. Fernanda Cantone  
 Light planning by / Light Style  
 Castello Tafuri Charming Suites  
 Portopalo di Capo Passero, Syracuse, Italy

✓  
**STEP OUTSIDE 6.3**  
 3000K, 2W, satin  
**SPOT 1.0**  
 3000K, 2W, 20°

Private residence, Positano, Salerno, Italy



## STEP OUTSIDE 6.1

Ø 70 mm  
 H 90 mm

Ø 45 mm

kg 0.24 IP65  
 CASAMBI

### POWER / POWER SUPPLY CODE

max 2W max 500mA  
**SP6112** **A A E** - White  
**SP6112** **A A S** - Satin  
**SP6112** **A A N** - Black  
**SP6112** **A A T** - Cor-ten

### LED COLOUR

**F** - 2700K  
**5** - 3000K  
**9** - 4000K  
**0** - 5000K  
**1** - blue

### POWER CABLES

includes 1.5 m neoprene cable  
 H05RN-F 2x0.35/0.75 Ø6.3 mm  
**1** - 5 m  
**2** - 10 m  
**3** - 15 m  
**4** - 20 m

### OPTICS

asymmetrical

### LUMEN OUTPUT AT SOURCE

145 lm (3000K, 500mA)

### DELIVERED LUMEN OUTPUT

29 lm (3000K, 500mA)

### NO. AND TYPE OF LED

1 power LED  
 1/4 ANSI BIN (white LED colour)  
 50000h L90 B10 (Ta 25°C)

### MATERIAL

body in aluminium, cover in stainless steel screen in transparent plexiglass

### POWER SUPPLY UNIT

not included, see p. 904

### WIRING

series

### MOUNTING

recessed (wall)

### ACCESSORIES

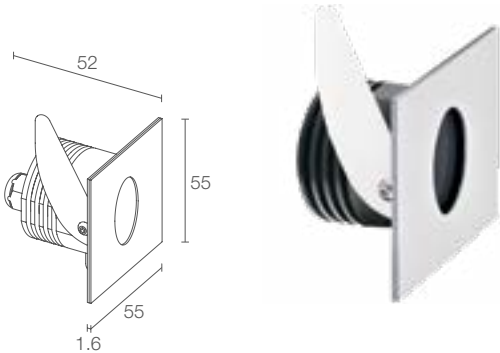
see p. 441

### NOTES

certified ETL version available on request

### PHOTOMETRIC DATA

see p. 885



## STEP OUTSIDE 6.2



max 2W max 500mA  
**SP6212** ■ **A A E** - ■ White  
**SP6212** ■ **A A S** - ■ Satin  
**SP6212** ■ **A A N** - ■ Black  
**SP6212** ■ **A A T** - ■ Cor-ten

■ **F** - 2700K  
**5** - 3000K  
**9** - 4000K  
**0** - 5000K  
**1** - blue

■ includes 1.5 m neoprene cable  
H05RN-F 2x0.35/0.75 Ø6.3 mm  
**1** - 5 m  
**2** - 10 m  
**3** - 15 m  
**4** - 20 m

asymmetrical

145 lm (3000K, 500mA)

42 lm (3000K, 500mA)

1 power LED  
1/4 ANSI BIN (white LED colour)  
50000h L90 B10 (Ta 25°C)

body in aluminium, cover in stainless steel  
screen in transparent plexiglass

not included, see p. 904

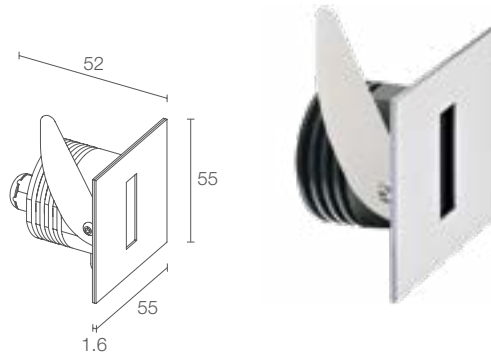
series

recessed (wall)

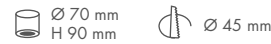
see p. 441

certified ETL version available on request

see p. 885



## STEP OUTSIDE 6.3



max 2W max 500mA  
**SP6312** ■ **A A E** - ■ White  
**SP6312** ■ **A A S** - ■ Satin  
**SP6312** ■ **A A N** - ■ Black  
**SP6312** ■ **A A T** - ■ Cor-ten

■ **F** - 2700K  
**5** - 3000K  
**9** - 4000K  
**0** - 5000K  
**1** - blue

■ includes 1.5 m neoprene cable  
H05RN-F 2x0.35/0.75 Ø6.3 mm  
**1** - 5 m  
**2** - 10 m  
**3** - 15 m  
**4** - 20 m

asymmetrical

145 lm (3000K, 500mA)

25 lm (3000K, 500mA)

1 power LED  
1/4 ANSI BIN (white LED colour)  
50000h L90 B10 (Ta 25°C)

body in aluminium, cover in stainless steel  
screen in transparent plexiglass

not included, see p. 904

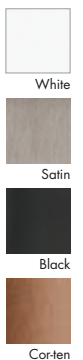
series

recessed (wall)

see p. 441

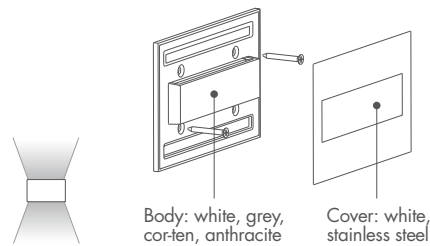
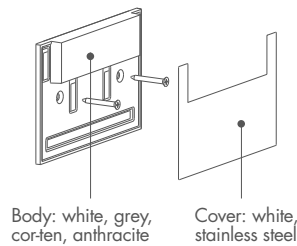
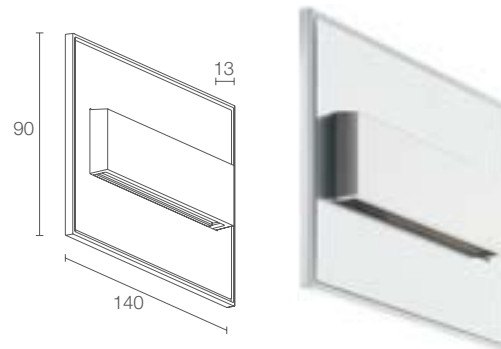
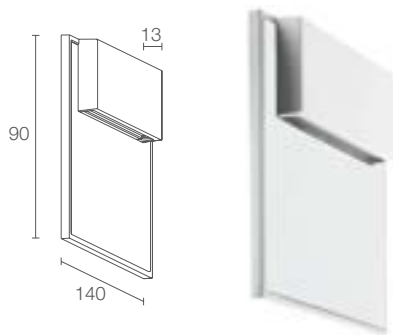
certified ETL version available on request

see p. 885









## STEP OUTSIDE 7.0



<b>POWER / POWER SUPPLY CODE</b>	3.5W 24Vdc
	<b>SP7000</b> ■ <b>A W</b> White - White
	<b>SP7000</b> ■ <b>A E</b> White - Stainless steel
	<b>SP7000</b> ■ <b>A F</b> Grey - Stainless steel
	<b>SP7000</b> ■ <b>A H</b> Anthracite - Stainless steel
<b>SP7000</b> ■ <b>A T</b> Cor-ten - Stainless steel	

<b>LED COLOUR</b>	<b>5</b> - 3000K <b>9</b> - 4000K <b>0</b> - 5000K
-------------------	--

<b>OPTICS</b>	diffuse
---------------	---------

LUMEN OUTPUT AT SOURCE	107 lm (3000K)
DELIVERED LUMEN OUTPUT	56 lm (3000K)
NO. AND TYPE OF LED	1 power LED 1/4 ANSI BIN, 50000h L90 B10 (Ta 25°C)
MATERIAL	body in die-cast aluminium screen in transparent polycarbonate
POWER SUPPLY UNIT	not included, see p. 904
POWER CABLES	includes 2x0.30 m single-core cables
MOUNTING	surface mounted (wall)
ACCESSORIES	see p. 441
NOTES	certified ETL version available on request
PHOTOMETRIC DATA	see p. 886

## STEP OUTSIDE 8.0



<b>POWER / POWER SUPPLY CODE</b>	3.5W 24Vdc
	<b>SP8000</b> ■ <b>A W</b> White - White
	<b>SP8000</b> ■ <b>A E</b> White - Stainless steel
	<b>SP8000</b> ■ <b>A F</b> Grey - Stainless steel
	<b>SP8000</b> ■ <b>A H</b> Anthracite - Stainless steel
<b>SP8000</b> ■ <b>A T</b> Cor-ten - Stainless steel	

<b>LED COLOUR</b>	<b>5</b> - 3000K <b>9</b> - 4000K <b>0</b> - 5000K
-------------------	--

<b>OPTICS</b>	diffuse
---------------	---------

LUMEN OUTPUT AT SOURCE	214 lm (3000K)
DELIVERED LUMEN OUTPUT	16 lm (3000K)
NO. AND TYPE OF LED	1 power LED 1/4 ANSI BIN, 50000h L90 B10 (Ta 25°C)
MATERIAL	body in die-cast aluminium screen in transparent polycarbonate
POWER SUPPLY UNIT	not included, see p. 904
POWER CABLES	includes 2x0.30 m single-core cables
MOUNTING	surface mounted (wall)
ACCESSORIES	see p. 441
NOTES	certified ETL version available on request
PHOTOMETRIC DATA	see p. 886





## ACCESSORIES

### ACCESSORIES FOR INSTALLATION



**WC0202**  
Outer casing  
(Step Outside 2.0 /  
2.1 / 2.6 / 2.7)



**WC1501**  
Outer casing  
(Step Outside 5.1 / 5.2 /  
6.1 / 6.2 / 6.3)

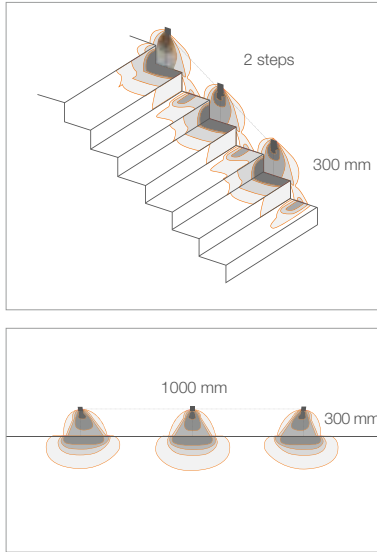


**WC0301**  
Optional outer casing  
(Step Outside 7.0 / 8.0)

**POSITIONING  
DIAGRAMS**

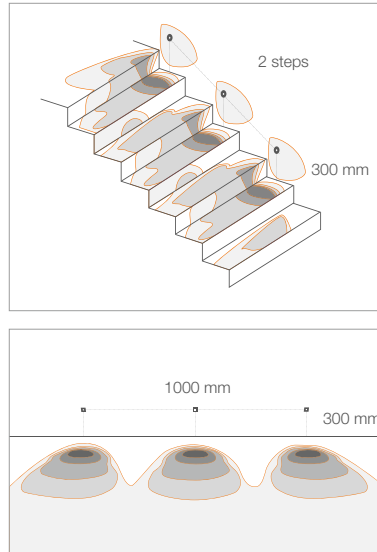
**STEP OUTSIDE 2.0 / 2.1 / 2.6 / 2.7**

**D - Diffuse**



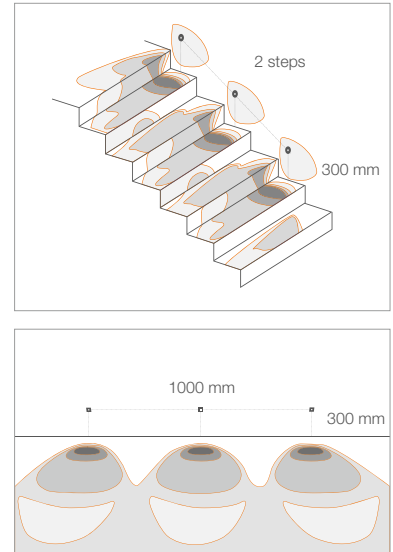
**STEP OUTSIDE 5.1**

**A - Asymmetrical**



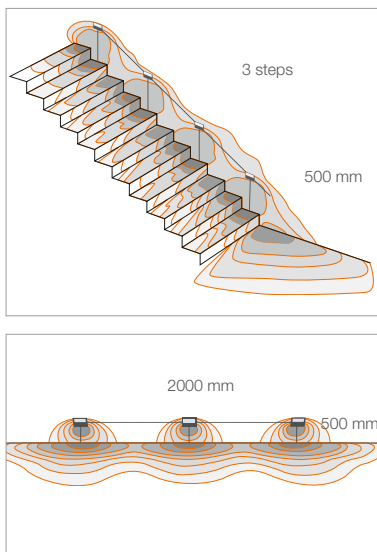
**STEP OUTSIDE 5.2**

**A - Asymmetrical**



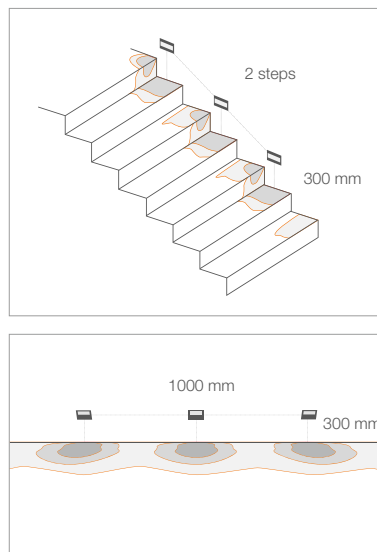
**STEP OUTSIDE 7.0**

**A - Diffuse**



**STEP OUTSIDE 8.0**

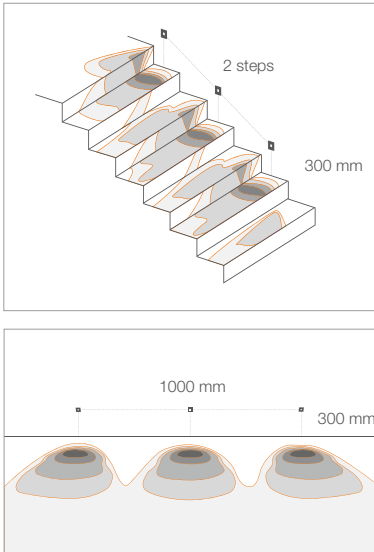
**A - Diffuse**



## POSITIONING DIAGRAMS

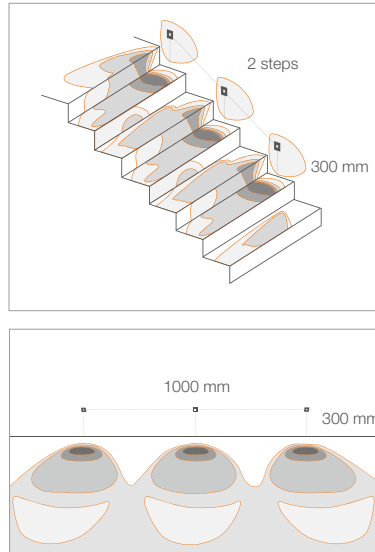
**STEP OUTSIDE 6.1**

**A** - Asymmetrical



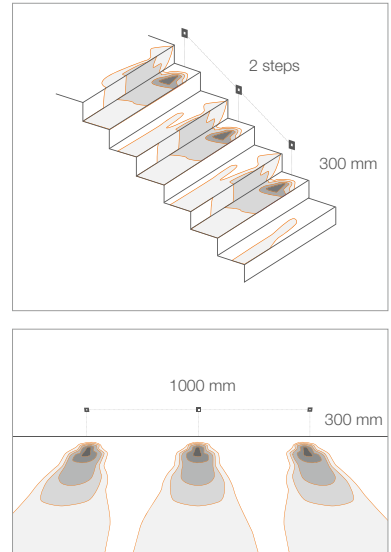
**STEP OUTSIDE 6.2**

**A** - Asymmetrical

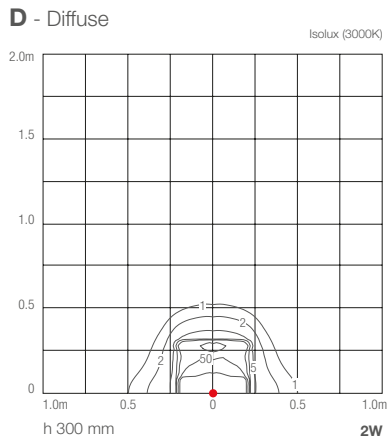


**STEP OUTSIDE 6.3**

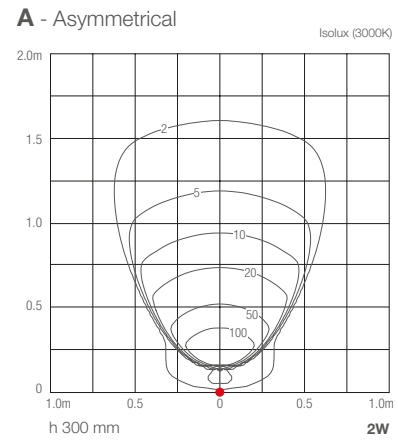
**A** - Asymmetrical



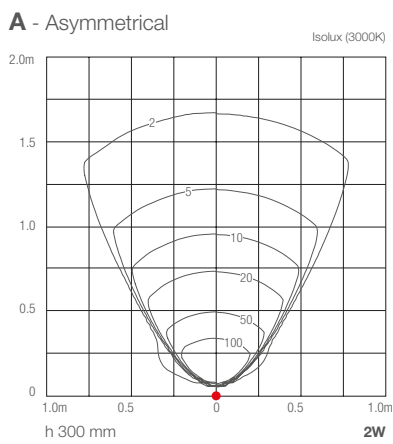
**STEP  
OUTSIDE 2.0**  
2.1  
2.6  
2.7



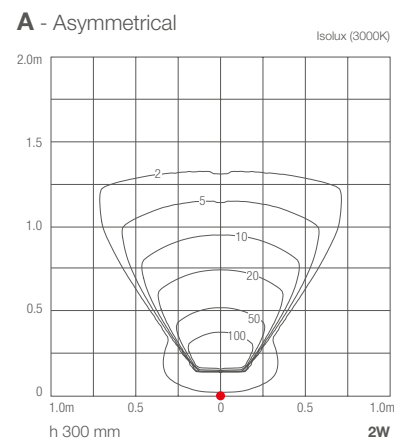
**STEP  
OUTSIDE 5.1**



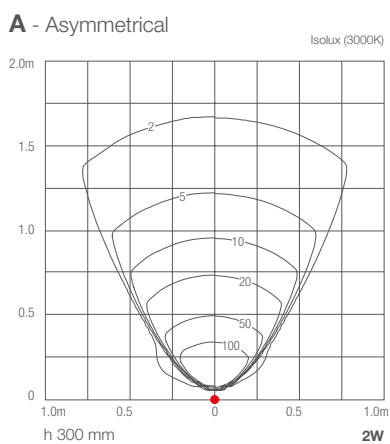
**STEP  
OUTSIDE 5.2**



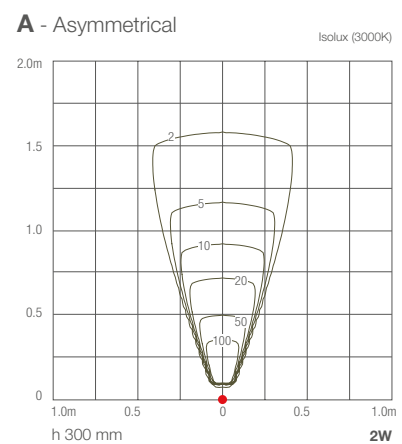
**STEP  
OUTSIDE 6.1**



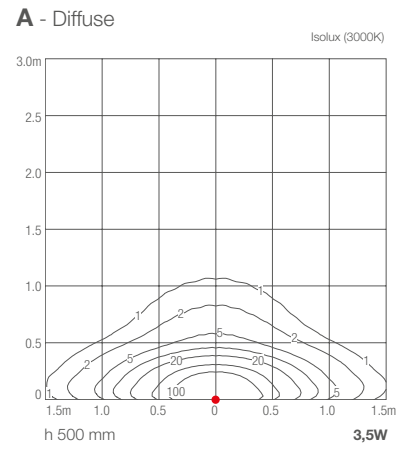
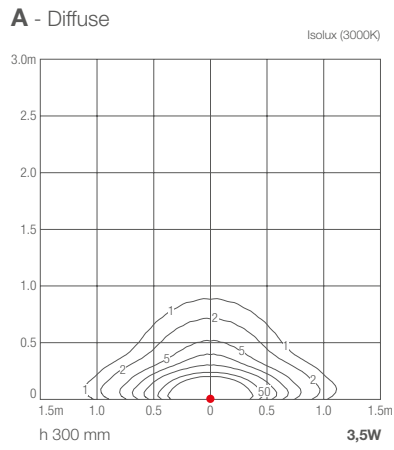
**STEP  
OUTSIDE 6.2**



**STEP  
OUTSIDE 6.3**



**STEP  
OUTSIDE 7.0**



**STEP  
OUTSIDE 8.0**

