



UNDERWATER LINEAR PROFILES FOR RECESSED LINES OF LIGHT IN POOLS AND FOUNTAINS

UNDERWATER



diffuse



510 mm



WIDTH 20 mm



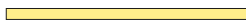
RIO SUB 1.1 p. 772
white light: 6W 24Vdc
RGB light: 8.5W 24Vdc

WIDTH 37 mm



RIO SUB 2.1 p. 773
white light: 10W 24Vdc
RGB light: 8.5W 24Vdc

1010 mm



RIO SUB 1.2 p. 772
white light: 12W 24Vdc
RGB light: 17W 24Vdc



RIO SUB 2.2 p. 773
white light: 19W 24Vdc
RGB light: 17W 24Vdc

OUTDOOR

RIO p. 206



RIO SUB 1.1



IP65 IP68 IK10

A A+ A++ CASAMBI

POWER / POWER SUPPLY 6W 24Vdc white light 510 mm
8.5W 24Vdc RGB light 510 mm

CODE RS1100 ■ D B

LED COLOUR
F - 2600K
5 - 2800K
9 - 3700K
6 - RGB

OPTICS diffuse

LUMEN OUTPUT AT SOURCE 672 lm (2800K)
RGB: 140 lm, R: 30 lm G: 90 lm B: 20 lm

DELIVERED LUMEN OUTPUT 140 lm (2800K)
RGB: 100 lm, R: 22 lm G: 64 lm B: 14 lm

NO. AND TYPE OF LED 48 low-power SMD LEDs
3-step MacAdam
RGB: full-colour SDM LEDs
50000h L95 B10 (Ta 25°C)

MATERIAL body in PMMA
screen in opal PMMA
end caps in AISI 316L stainless steel

POWER SUPPLY UNIT not included, see p. 904 and 917

POWER CABLES includes 5 m neoprene cable
H05RN-F 2x1.00 Ø6.8 mm
RGB: includes 5 m FEP+PCP cable
(equivalent to H05RN-F) 4x0.50 Ø6.3 mm

MOUNTING recessed (wall, ground)
max depth 10 m

ACCESSORIES see p. 775

PHOTOMETRIC DATA see p. 871



RIO SUB 1.2



IP65 IP68 IK10

A A+ A++ CASAMBI

12W 24Vdc white light 1010 mm
17W 24Vdc RGB light 1010 mm

CODE RS1200 ■ D B

LED COLOUR
F - 2600K
5 - 2800K
9 - 3700K
6 - RGB

OPTICS diffuse

1344 lm (2800K)
RGB: 280 lm, R: 60 lm G: 180 lm B: 40 lm

280 lm (2800K)
RGB: 200 lm, R: 44 lm G: 128 lm B: 28 lm

96 low-power SMD LEDs
3-step MacAdam
RGB: full-colour SDM LEDs
50000h L95 B10 (Ta 25°C)

body in PMMA
screen in opal PMMA
end caps in AISI 316L stainless steel

not included, see p. 904 and 917

includes 5 m neoprene cable
H05RN-F 2x1.00 Ø6.8 mm
RGB: includes 5 m FEP+PCP cable
(equivalent to H05RN-F) 4x0.50 Ø6.3 mm

recessed (wall, ground)
max depth 10 m

see p. 775

see p. 871



RIO SUB 2.1



IP65 IP68 IK10

A A+ A++ CASAMBI $T_{max} 40^{\circ}C$

POWER / POWER SUPPLY 10W 24Vdc white light 510 mm
8.5W 24Vdc RGB light 510 mm

CODE RS2100 ■ D B

LED COLOUR
F - 2600K
5 - 2800K
9 - 3700K
6 - RGB

OPTICS diffuse

LUMEN OUTPUT AT SOURCE 1056 lm (2800K)
RGB: 140 lm, R: 30 lm G: 90 lm B: 20 lm

DELIVERED LUMEN OUTPUT 290 lm (2800K)
RGB: 100 lm, R: 22 lm G: 64 lm B: 14 lm

NO. AND TYPE OF LED 96 low-power SMD LEDs
3-step MacAdam
RGB: full-colour SDM LEDs
50000h L95 B10 (Ta 25°C)

MATERIAL body in PMMA
screen in opal PMMA
end caps in AISI 316L stainless steel

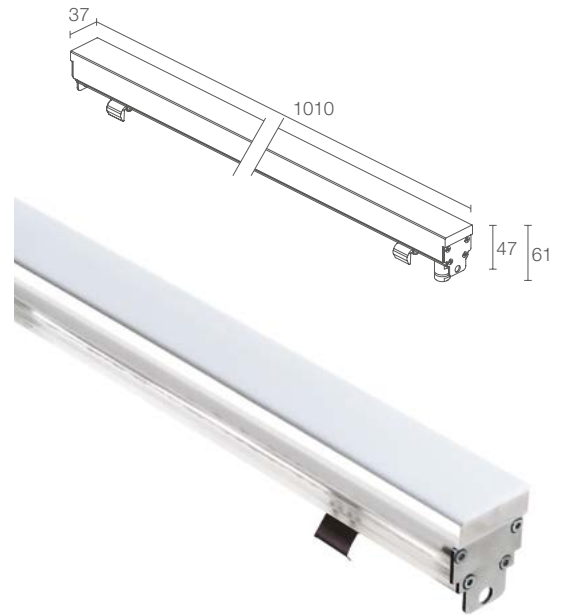
POWER SUPPLY UNIT not included, see p. 904 and 917

POWER CABLES includes 5 m neoprene cable
H05RN-F 2x1.00 Ø6.8 mm
RGB: includes 5 m FEP+PCP cable
(equivalent to H05RN-F) 4x0.50 Ø6.3 mm

MOUNTING recessed (wall, ground)
max depth 10 m

ACCESSORIES see p. 775

PHOTOMETRIC DATA see p. 871



RIO SUB 2.2



IP65 IP68 IK10

A A+ A++ CASAMBI $T_{max} 40^{\circ}C$

19W 24Vdc white light 1010 mm
17W 24Vdc RGB light 1010 mm

CODE RS2200 ■ D B

LED COLOUR
F - 2600K
5 - 2800K
9 - 3700K
6 - RGB

OPTICS diffuse

2112 lm (2800K)
RGB: 280 lm, R: 60 lm G: 180 lm B: 40 lm

580 lm (2800K)
RGB: 200 lm, R: 44 lm G: 128 lm B: 28 lm

192 low-power SMD LEDs
3-step MacAdam
RGB: full-colour SDM LEDs
50000h L95 B10 (Ta 25°C)

body in PMMA
screen in opal PMMA
end caps in AISI 316L stainless steel

not included, see p. 904 and 917

includes 5 m neoprene cable
H05RN-F 2x1.00 Ø6.8 mm
RGB: includes 5 m FEP+PCP cable
(equivalent to H05RN-F) 4x0.50 Ø6.3 mm

recessed (wall, ground)
max depth 10 m

see p. 775

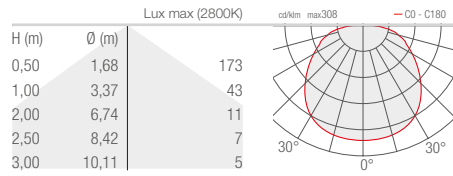
see p. 871



UNDERWATER LINEAR PROFILES

RIO SUB 1.1

D - Diffuse



RIO SUB 2.1

D - Diffuse

