



^
PLIN 6.1
 3000K, 14W, anthracite

SQUARE HEAD

2700K 3000K 4000K



diffuse



PLIN 1.0 p. 458
 12W 230Vac
 h 300 mm



PLIN 1.1 p. 459
 12W 230Vac
 h 600 mm



PLIN 1.2 p. 459
 12W 230Vac
 h 800 mm

2700K 3000K 4000K



asymmetrical
diffuse



PLIN 2.0 p. 460
 12W 230Vac
 h 260 mm

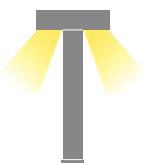


PLIN 2.1 p. 461
 12W 230Vac
 h 560 mm



PLIN 2.2 p. 461
 12W 230Vac
 h 760 mm

2700K 3000K 4000K



asymmetrical
diffuse



PLIN 3.0 p. 462
 24W 230Vac
 h 260 mm



PLIN 3.1 p. 463
 24W 230Vac
 h 560 mm



PLIN 3.2 p. 463
 24W 230Vac
 h 760 mm



OUTDOOR BOLLARDS

ROUND HEAD

2700K 3000K 4000K



diffuse



PLIN 4.0 p. 464
8W 230Vac
h 320 mm



PLIN 4.1 p. 465
8W 230Vac
h 620 mm



PLIN 4.2 p. 465
8W 230Vac
h 820 mm

2700K 3000K 4000K



asymmetrical
diffuse



PLIN 5.0 p. 466
8W 230Vac
h 285 mm



PLIN 5.1 p. 467
8W 230Vac
h 585 mm



PLIN 5.2 p. 467
8W 230Vac
h 785 mm

2200K 2700K 3000K 4000K



asymmetrical
circular



PLIN 6.0 p. 468
14W 230Vac
h 285 mm



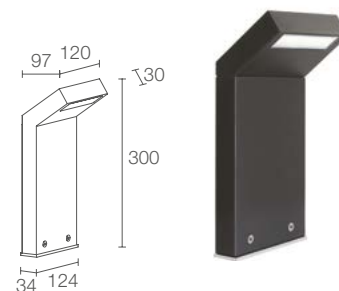
PLIN 6.1 p. 469
14W 230Vac
h 585 mm



PLIN 6.2 p. 469
14W 230Vac
h 785 mm



^
PLIN 1.1
 3000K, anthracite
 Light planning by/ KA2 Light Architecture
 Caméo Moscow Villas, Moscow, Russia



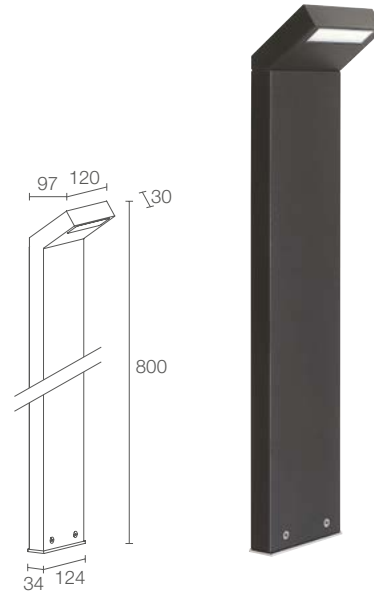
PLIN 1.0



CE CB EAC LED TECH kg 1.30 IP65 IK08
 A A+ A++

POWER / POWER SUPPLY CODE	12W 230Vac h 300 mm PN1010 ■ A E White PN1010 ■ A F Grey PN1010 ■ A H Anthracite PN1010 ■ A T Cor-ten
LED COLOUR	F - 2700K 5 - 3000K 9 - 4000K
OPTICS	diffuse

LUMEN OUTPUT AT SOURCE	1242 lm (3000K)
DELIVERED LUMEN OUTPUT	558 lm (3000K)
NO. AND TYPE OF LED	18 mid-power LEDs 3-step MacAdam, 50000h L85 B10 (Ta 25°C)
MATERIAL	head in die-cast aluminium, column in aluminium screen in serigraphed, tempered, extra-clear microprismatic glass
POWER SUPPLY UNIT	built in
MOUNTING	surface mounted (ground)
NOTES	non-standard heights available on request Casambi-compatible version, controllable with the Casambi app, available on request
PHOTOMETRIC DATA	see p. 863



PLIN 1.1



CE CB ENEC LED TEST kg 2.20 IP65 IK08
 A A+ A++

12W 230Vac h 600 mm
PN1110 **A E** White
PN1110 **A F** Grey
PN1110 **A H** Anthracite
PN1110 **A T** Cor-ten

F - 2700K
5 - 3000K
9 - 4000K

diffuse

1242 lm (3000K)

558 lm (3000K)

18 mid-power LEDs
 3-step MacAdam, 50000h L85 B10 (Ta 25°C)

head in die-cast aluminium, column in aluminium
 screen in serigraphed, tempered, extra-clear
 microprismatic glass

built in

surface mounted (ground)

non-standard heights available
 on request
 Casambi-compatible version, controllable with
 the Casambi app, available on request

see p. 863

PLIN 1.2



CE CB ENEC LED TEST kg 2.50 IP65 IK08
 A A+ A++

12W 230Vac h 800 mm
PN1210 **A E** White
PN1210 **A F** Grey
PN1210 **A H** Anthracite
PN1210 **A T** Cor-ten

F - 2700K
5 - 3000K
9 - 4000K

diffuse

1242 lm (3000K)

558 lm (3000K)

18 mid-power LEDs
 3-step MacAdam, 50000h L85 B10 (Ta 25°C)

head in die-cast aluminium, column in aluminium
 screen in serigraphed, tempered, extra-clear
 microprismatic glass

built in

surface mounted (ground)

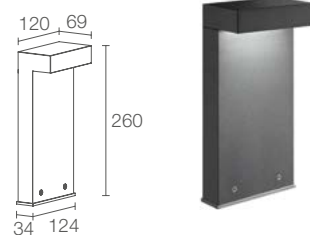
non-standard heights available
 on request
 Casambi-compatible version, controllable with
 the Casambi app, available on request

see p. 863





^
PLIN 2.2
 3000K, 12W, anthracite
ICE LED 1.0
 2700K, 1W

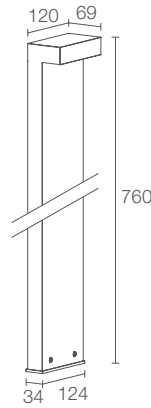
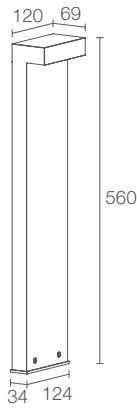


PLIN 2.0



CE CB EAC LED TECH kg 1.40 IP65 IK08
 A A+ A++

POWER / POWER SUPPLY CODE	12W 230Vac h 260 mm PN2010 ■ A E White PN2010 ■ A F Grey PN2010 ■ A H Anthracite PN2010 ■ A T Cor-ten
LED COLOUR	F - 2700K 5 - 3000K 9 - 4000K
OPTICS	asymmetrical diffuse
LUMEN OUTPUT AT SOURCE	1242 lm (3000K)
DELIVERED LUMEN OUTPUT	492 lm (3000K)
NO. AND TYPE OF LED	18 mid-power LEDs 3-step MacAdam, 50000h L85 B10 (Ta 25°C)
MATERIAL	head and column in aluminium screen in serigraphed, tempered transparent extra-clear glass
POWER SUPPLY UNIT	built in
MOUNTING	surface mounted (ground)
NOTES	non-standard heights available on request Casambi-compatible version, controllable with the Casambi app, available on request
PHOTOMETRIC DATA	see p. 863



PLIN 2.1



CE CB ENEC LED TEST kg 1.92 IP65 IK08
 A A+ A++

12W 230Vac h 560 mm
PN2110 **A E** White
PN2110 **A F** Grey
PN2110 **A H** Anthracite
PN2110 **A T** Cor-ten

F - 2700K
5 - 3000K
9 - 4000K

asymmetrical diffuse

1242 lm (3000K)

492 lm (3000K)

18 mid-power LEDs
 3-step MacAdam, 50000h L85 B10 (Ta 25°C)

head and column in aluminium
 screen in serigraphed, tempered transparent
 extra-clear glass

built in

surface mounted (ground)

non-standard heights available
 on request
 Casambi-compatible version, controllable with
 the Casambi app, available on request

see p. 863

PLIN 2.2



CE CB ENEC LED TEST kg 1.95 IP65 IK08
 A A+ A++

12W 230Vac h 760 mm
PN2210 **A E** White
PN2210 **A F** Grey
PN2210 **A H** Anthracite
PN2210 **A T** Cor-ten

F - 2700K
5 - 3000K
9 - 4000K

asymmetrical diffuse

1242 lm (3000K)

492 lm (3000K)

18 mid-power LEDs
 3-step MacAdam, 50000h L85 B10 (Ta 25°C)

head and column in aluminium
 screen in serigraphed, tempered transparent
 extra-clear glass

built in

surface mounted (ground)

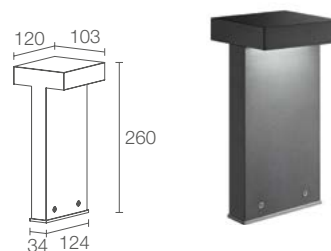
non-standard heights available
 on request
 Casambi-compatible version, controllable with
 the Casambi app, available on request

see p. 863

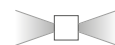




^
PLIN 3.1
 4000K, 24W, anthracite

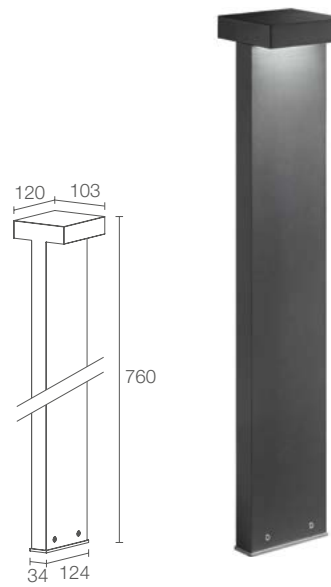
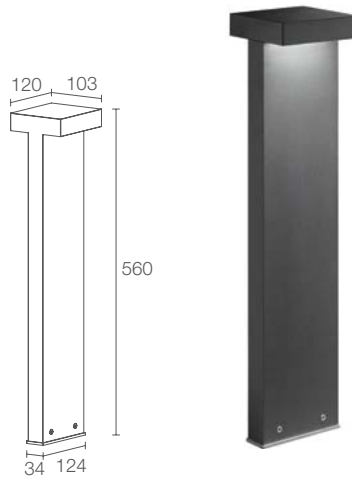


PLIN 3.0

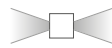


kg 1.80 IP65 IK08

POWER / POWER SUPPLY CODE	24W 230Vac h 260 mm PN3010 ■ A E White PN3010 ■ A F Grey PN3010 ■ A H Anthracite PN3010 ■ A T Cor-ten
LED COLOUR	F - 2700K 5 - 3000K 9 - 4000K
OPTICS	asymmetrical diffuse
LUMEN OUTPUT AT SOURCE	2484 lm (3000K)
DELIVERED LUMEN OUTPUT	984 lm (3000K)
NO. AND TYPE OF LED	36 mid-power LEDs 3-step MacAdam, 50000h L85 B10 (Ta 25°C)
MATERIAL	head and column in aluminium screen in serigraphed, tempered transparent extra-clear glass
POWER SUPPLY UNIT	built in
MOUNTING	surface mounted (ground)
NOTES	non-standard heights available on request Casambi-compatible version, controllable with the Casambi app, available on request
PHOTOMETRIC DATA	see p. 863



PLIN 3.1



CE CB ENEC LED TECH kg 2.20 IP65 IK08
A A+ A++

24W 230Vac h 560 mm
PN3110 **A E** White
PN3110 **A F** Grey
PN3110 **A H** Anthracite
PN3110 **A T** Cor-ten

F - 2700K
5 - 3000K
9 - 4000K

asymmetrical diffuse

2484 lm (3000K)

984 lm (3000K)

36 mid-power LEDs
 3-step MacAdam, 50000h L85 B10 (Ta 25°C)

head and column in aluminium
 screen in serigraphed, tempered transparent
 extra-clear glass

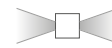
built in

surface mounted (ground)

non-standard heights available
 on request
 Casambi-compatible version, controllable with
 the Casambi app, available on request

see p. 863

PLIN 3.2



CE CB ENEC LED TECH kg 2.35 IP65 IK08
A A+ A++

24W 230Vac h 760 mm
PN3210 **A E** White
PN3210 **A F** Grey
PN3210 **A H** Anthracite
PN3210 **A T** Cor-ten

F - 2700K
5 - 3000K
9 - 4000K

asymmetrical diffuse

2484 lm (3000K)

984 lm (3000K)

36 mid-power LEDs
 3-step MacAdam, 50000h L85 B10 (Ta 25°C)

head and column in aluminium
 screen in serigraphed, tempered transparent
 extra-clear glass

built in

surface mounted (ground)

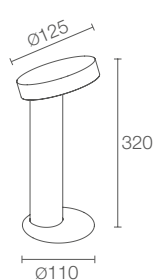
non-standard heights available
 on request
 Casambi-compatible version, controllable with
 the Casambi app, available on request

see p. 863





^
PLIN 4.0
 4000K, 8W, anthracite



PLIN 4.0

kg 1.80 IP65 IK07

POWER / POWER SUPPLY CODE	8W 230Vac h 320 mm
	PN40100 D E White
	PN40100 D F Grey
	PN40100 D H Anthracite
	PN40100 D T Cor-ten

LED COLOUR	F - 2700K 5 - 3000K 9 - 4000K
-------------------	----------------------------------------------------------

OPTICS	diffuse
---------------	---------

LUMEN OUTPUT AT SOURCE	488 lm (3000K)
DELIVERED LUMEN OUTPUT	423 lm (3000K)
NO. AND TYPE OF LED	1 power LED 3-step MacAdam, 50000h L90 B10 (Ta 25°C)
MATERIAL	head in aluminium, column in stainless steel screen in serigraphed and transparent, tempered extra-clear glass
POWER SUPPLY UNIT	built in
MOUNTING	surface mounted (ground)
ACCESSORIES	see p. 471
NOTES	non-standard heights available on request Casambi-compatible version, controllable with the Casambi app, available on request
PHOTOMETRIC DATA	see p. 864



PLIN 4.1

CE CB ENE LED TECH kg 2.65 IP65 IK07
 A A+ A++

8W 230Vac h 620 mm
PN41100 D E White
PN41100 D F Grey
PN41100 D H Anthracite
PN41100 D T Cor-ten

F - 2700K
 5 - 3000K
 9 - 4000K

diffuse

488 lm (3000K)

423 lm (3000K)

1 power LED
 3-step MacAdam, 50000h L90 B10 (Ta 25°C)

head in aluminium, column in stainless steel
 screen in serigraphed and transparent,
 tempered extra-clear glass

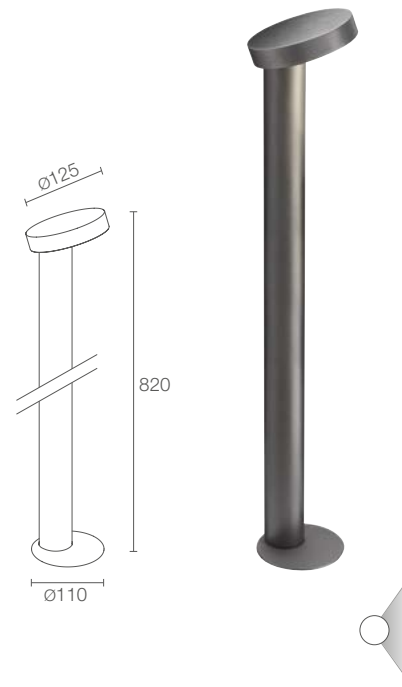
built in

surface mounted (ground)

see p. 471

non-standard heights available
 on request
 Casambi-compatible version, controllable with
 the Casambi app, available on request

see p. 864



PLIN 4.2

CE CB ENE LED TECH kg 3.10 IP65 IK07
 A A+ A++

8W 230Vac h 820 mm
PN42100 D E White
PN42100 D F Grey
PN42100 D H Anthracite
PN42100 D T Cor-ten

F - 2700K
 5 - 3000K
 9 - 4000K

diffuse

488 lm (3000K)

423 lm (3000K)

1 power LED
 3-step MacAdam, 50000h L90 B10 (Ta 25°C)

head in aluminium, column in stainless steel
 screen in serigraphed and transparent,
 tempered extra-clear glass

built in

surface mounted (ground)

see p. 471

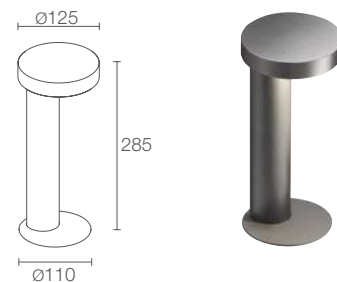
non-standard heights available
 on request
 Casambi-compatible version, controllable with
 the Casambi app, available on request

see p. 864









^
PLIN 5.1
 4000K, 8W, anthracite



PLIN 5.0



CE CB EAC   kg 1.80 IP65 IK07
A A+ A++ 

POWER / POWER SUPPLY CODE	8W 230Vac h 285 mm
	PN50100  A E White
	PN50100  A F Grey
	PN50100  A H Anthracite
	PN50100  A T Cor-ten
LED COLOUR	F - 2700K 5 - 3000K 9 - 4000K
OPTICS	asymmetrical

LUMEN OUTPUT AT SOURCE	488 lm (3000K)
DELIVERED LUMEN OUTPUT	173 lm (3000K)
NO. AND TYPE OF LED	1 power LED 3-step MacAdam, 50000h L90 B10 (Ta 25°C)
MATERIAL	head in aluminium, column in stainless steel screen in serigraphed and transparent, tempered extra-clear glass
POWER SUPPLY UNIT	built in
MOUNTING	surface mounted (ground)
ACCESSORIES	see p. 471
NOTES	non-standard heights available on request Casambi-compatible version, controllable with the Casambi app, available on request
PHOTOMETRIC DATA	see p. 864



PLIN 5.1



CE CB ENEC LED TECH kg 2.50 IP65 IK07
 A A+ A++

8W 230Vac h 585 mm
PN51100 **A E** White
PN51100 **A F** Grey
PN51100 **A H** Anthracite
PN51100 **A T** Cor-ten

F - 2700K
5 - 3000K
9 - 4000K

asymmetrical

488 lm (3000K)

173 lm (3000K)

1 power LED
 3-step MacAdam, 50000h L90 B10 (Ta 25°C)

head in aluminium, column in stainless steel
 screen in serigraphed and transparent,
 tempered extra-clear glass

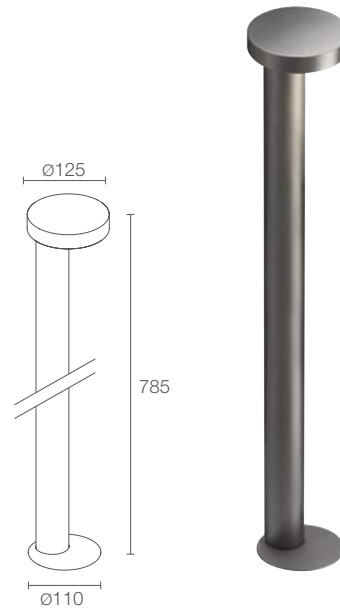
built in

surface mounted (ground)

see p. 471

non-standard heights available
 on request
 Casambi-compatible version, controllable with
 the Casambi app, available on request

see p. 864



PLIN 5.2



CE CB ENEC LED TECH kg 3.10 IP65 IK07
 A A+ A++

8W 230Vac h 785 mm
PN52100 **A E** White
PN52100 **A F** Grey
PN52100 **A H** Anthracite
PN52100 **A T** Cor-ten

F - 2700K
5 - 3000K
9 - 4000K

asymmetrical

488 lm (3000K)

173 lm (3000K)

1 power LED
 3-step MacAdam, 50000h L90 B10 (Ta 25°C)

head in aluminium, column in stainless steel
 screen in serigraphed and transparent,
 tempered extra-clear glass

built in

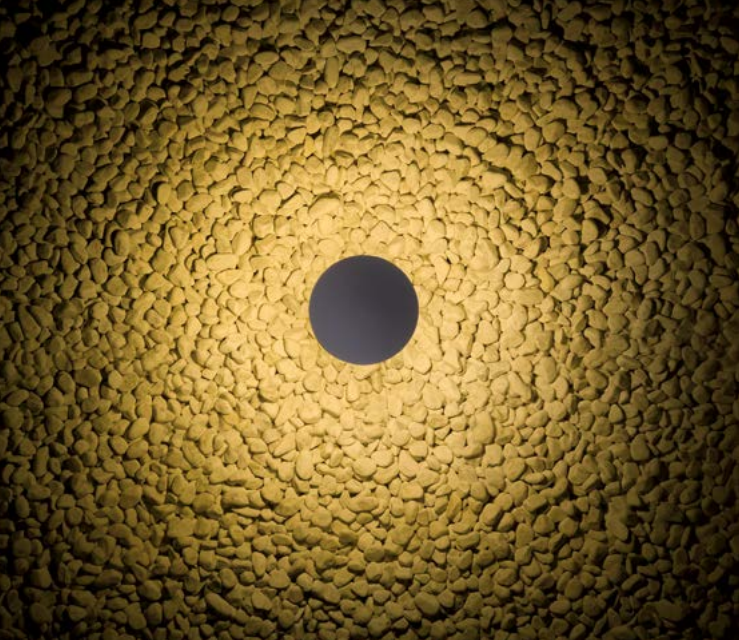
surface mounted (ground)

see p. 471

non-standard heights available
 on request
 Casambi-compatible version, controllable with
 the Casambi app, available on request

see p. 864





^
PLIN 6.1
 2200K, 14W, grey



PLIN 6.0

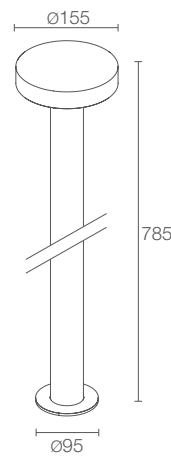
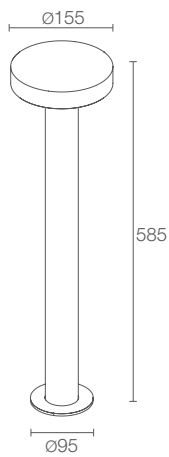
CE ENEC LED TECH kg 2.00 IP65 IK07
 A A+ A++ PID

POWER / POWER SUPPLY CODE 14W 230Vac h 285 mm
PN60100000 **OA E** White
PN60100000 **OA F** Grey
PN60100000 **OA H** Anthracite
PN60100000 **OA T** Cor-ten

LED COLOUR
N - 2200K
F - 2700K
5 - 3000K
9 - 4000K

OPTICS asymmetrical circular

LUMEN OUTPUT AT SOURCE	1560 lm (3000K)
DELIVERED LUMEN OUTPUT	1160 lm (3000K)
NO. AND TYPE OF LED	8 power LED 2-step MacAdam, 60000h L90 B10 (Ta 25°C)
MATERIAL	head in aluminium, column in stainless steel screen in serigraphed and transparent, tempered extra-clear glass
POWER SUPPLY UNIT	built in
MOUNTING	surface mounted (ground)
ACCESSORIES	see p. 471
NOTES	non-standard heights available on request Casambi-compatible version, controllable with the Casambi app, available on request
PHOTOMETRIC DATA	see p. 864



PLIN 6.1

CE EAC LED TECH kg 2.50 IP65 IK07

A A+ A++ PID

14W 230Vac h 585 mm
PN6110000 OA E White
PN6110000 OA F Grey
PN6110000 OA H Anthracite
PN6110000 OA T Cor-ten

■ N - 2200K
 F - 2700K
 5 - 3000K
 9 - 4000K

asymmetrical circular

1560 lm (3000K)

1160 lm (3000K)

8 power LED
 2 step MacAdam, 60000h L90 B10 (T_a 25°C)

head in aluminium, column in stainless steel
 screen in serigraphed and transparent,
 tempered extra-clear glass

built in

surface mounted (ground)

see p. 471

non-standard heights available
 on request
 Casambi-compatible version, controllable with
 the Casambi app, available on request

see p. 864

PLIN 6.2

CE EAC LED TECH kg 3.00 IP65 IK07

A A+ A++ PID

14W 230Vac h 785 mm
PN6210000 OA E White
PN6210000 OA F Grey
PN6210000 OA H Anthracite
PN6210000 OA T Cor-ten

■ N - 2200K
 F - 2700K
 5 - 3000K
 9 - 4000K

asymmetrical circular

1560 lm (3000K)

1160 lm (3000K)

8 power LED
 2 step MacAdam, 60000h L90 B10 (T_a 25°C)

head in aluminium, column in stainless steel
 screen in serigraphed and transparent,
 tempered extra-clear glass

built in

surface mounted (ground)

see p. 471

non-standard heights available
 on request
 Casambi-compatible version, controllable with
 the Casambi app, available on request

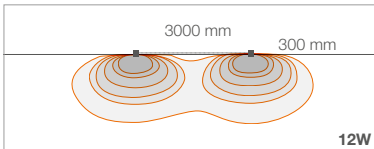
see p. 864



**POSITIONING
DIAGRAMS**

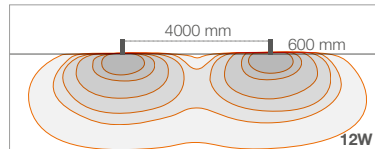
PLIN 1.0

A - Diffuse



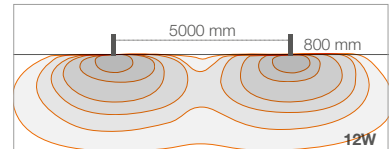
PLIN 1.1

A - Diffuse



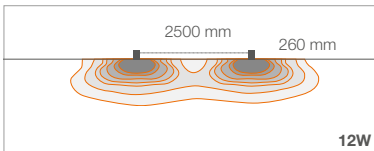
PLIN 1.2

A - Diffuse



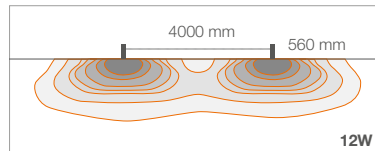
PLIN 2.0

A - Asymmetrical diffuse



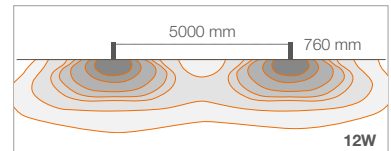
PLIN 2.1

A - Asymmetrical diffuse



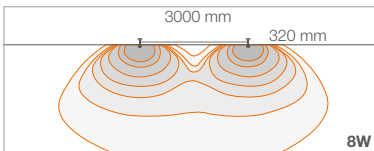
PLIN 2.2

A - Asymmetrical diffuse



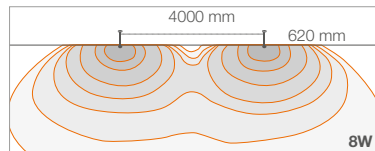
PLIN 4.0

D - Diffuse



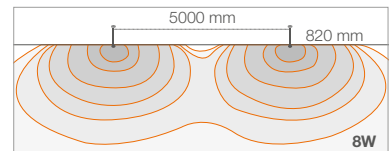
PLIN 4.1

D - Diffuse



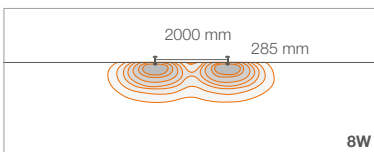
PLIN 4.2

D - Diffuse



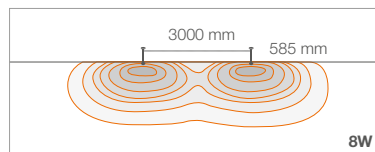
PLIN 5.0

A - Asymmetrical



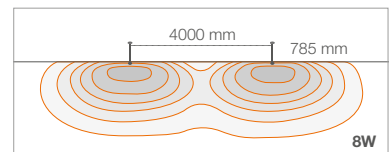
PLIN 5.1

A - Asymmetrical



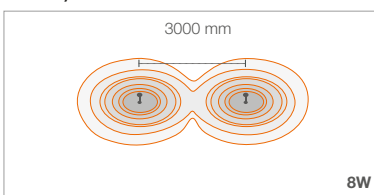
PLIN 5.2

A - Asymmetrical



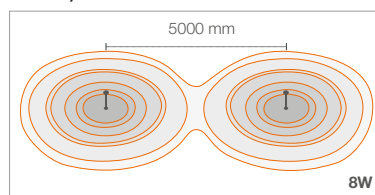
PLIN 6.0

A - Asymmetrical circular



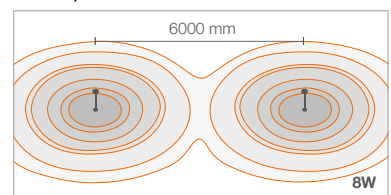
PLIN 6.1

A - Asymmetrical circular



PLIN 6.2

A - Asymmetrical circular





ACCESSORIES AND POSITIONING DIAGRAMS

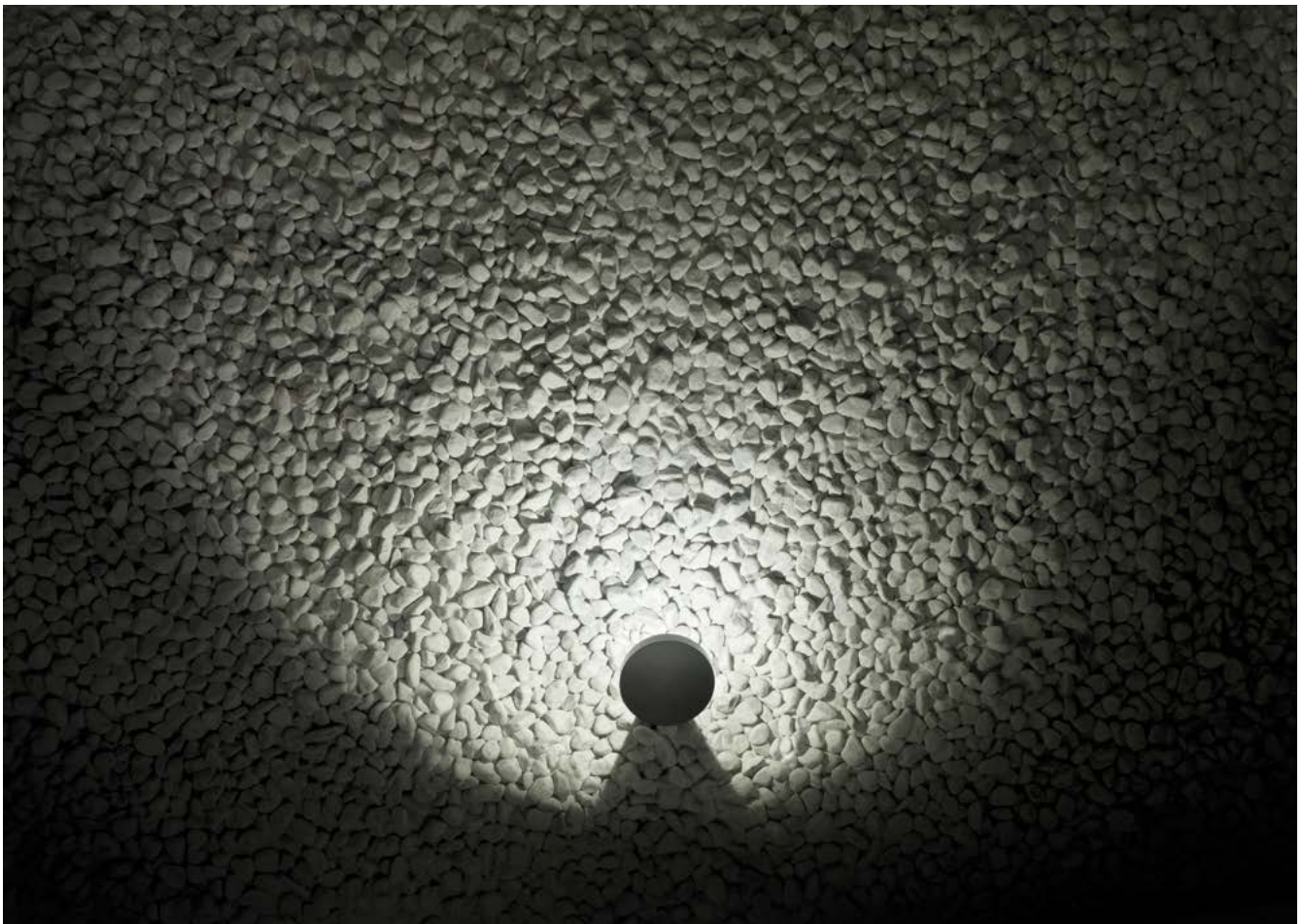
ACCESSORIES FOR INSTALLATION



WPA00

Spike for installation in the ground
(Plin 4 / 5 / 6)

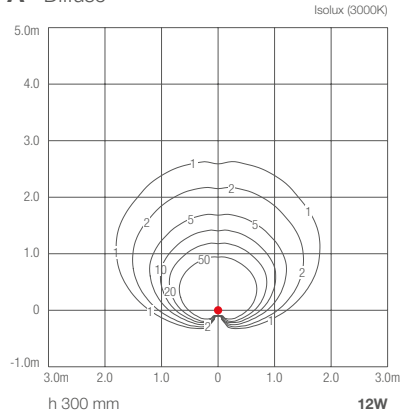
PLIN 4.0
3000K, 8W, anthracite



OUTDOOR BOLLARDS

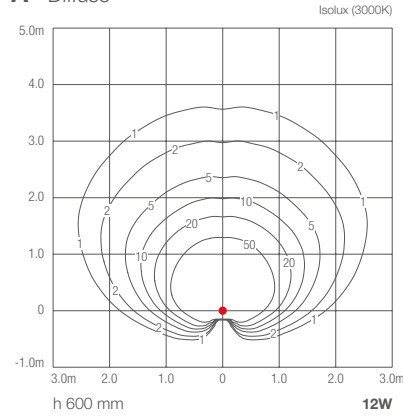
PLIN 1.0

A - Diffuse



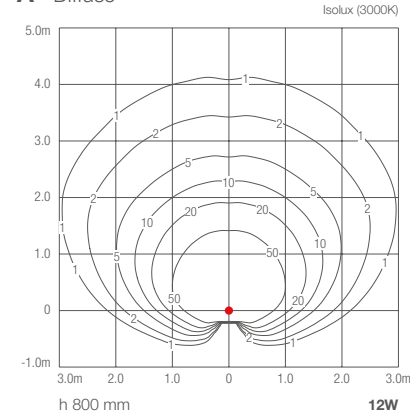
PLIN 1.1

A - Diffuse



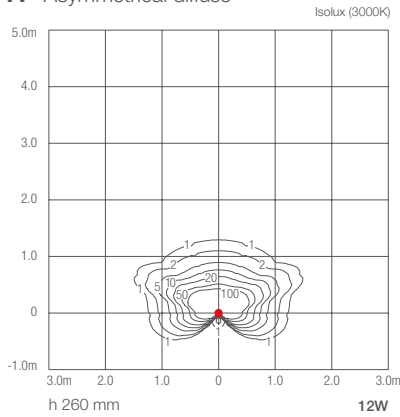
PLIN 1.2

A - Diffuse



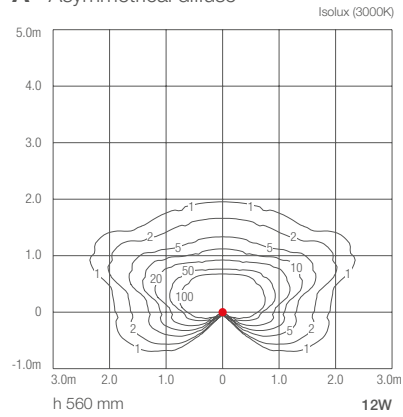
PLIN 2.0

A - Asymmetrical diffuse



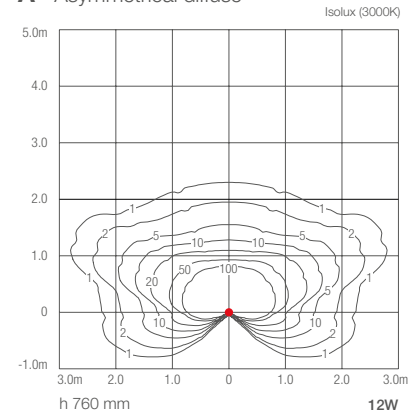
PLIN 2.1

A - Asymmetrical diffuse



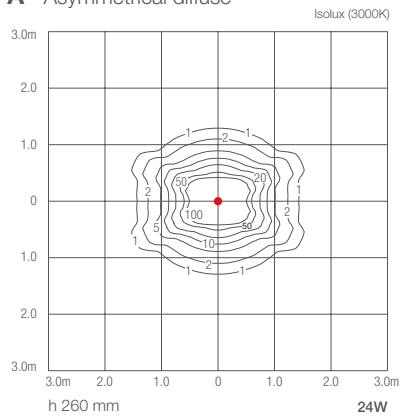
PLIN 2.2

A - Asymmetrical diffuse



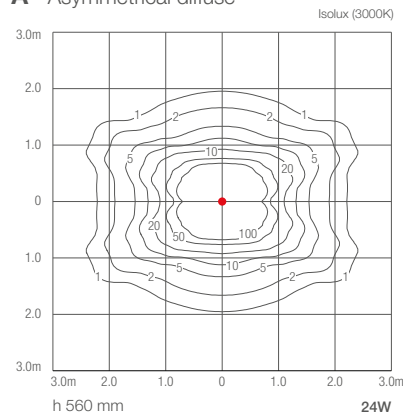
PLIN 3.0

A - Asymmetrical diffuse



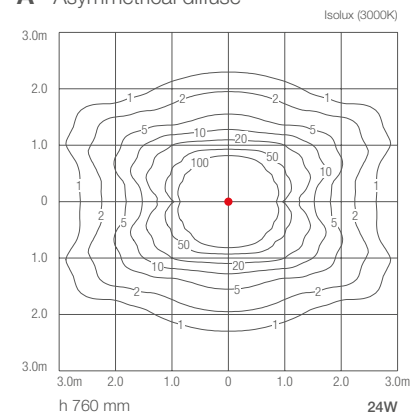
PLIN 3.1

A - Asymmetrical diffuse

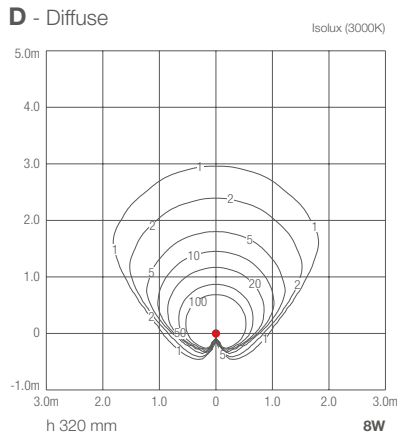


PLIN 3.2

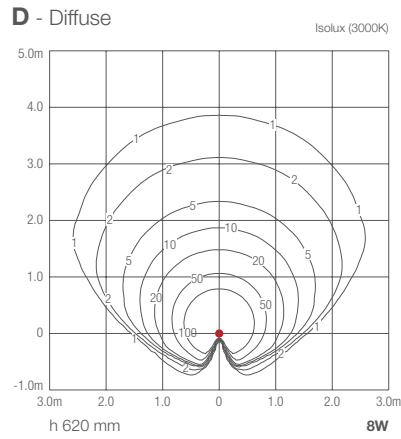
A - Asymmetrical diffuse



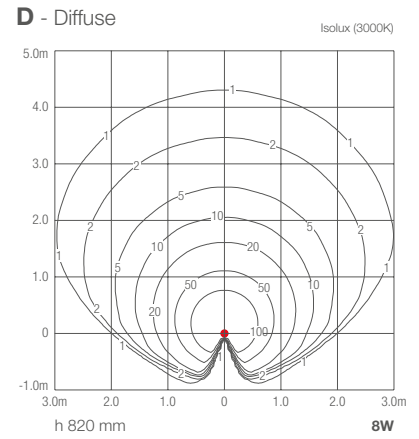
PLIN 4.0



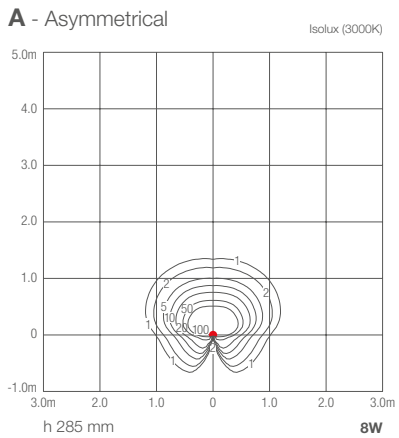
PLIN 4.1



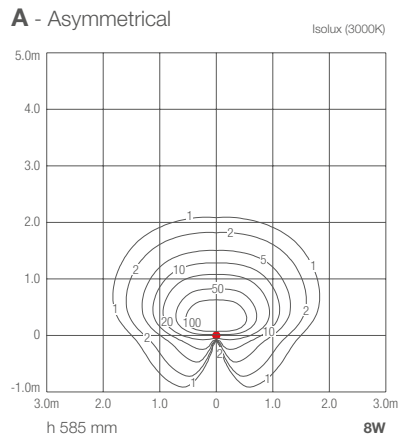
PLIN 4.2



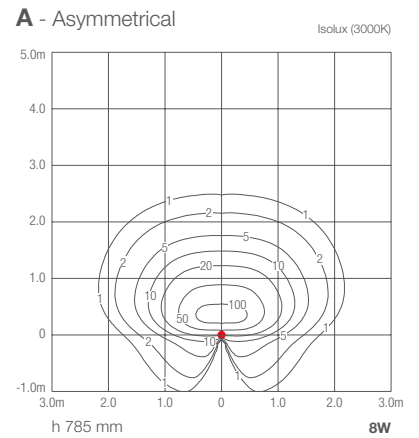
PLIN 5.0



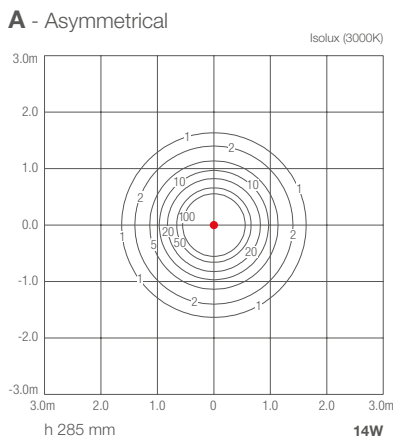
PLIN 5.1



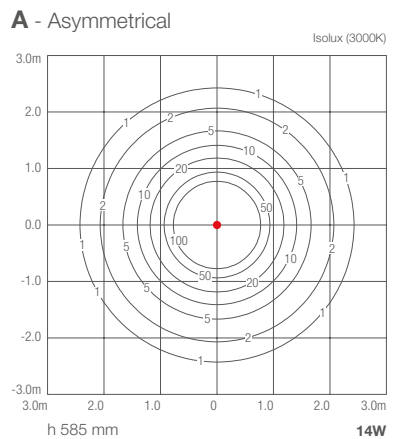
PLIN 5.2



PLIN 6.0



PLIN 6.1



PLIN 6.2

