

## OUTDOOR STEP LIGHTS WIDE SPACING BETWEEN FIXTURES ON PATHS



wide



asymmetrical



2700K



3000K

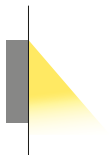


4000K

**6W 230Vac**  
**5W 24Vdc**

**8W/13W 230Vac**  
**6W/8.5W 24Vdc**

### RECESSED, FLUSH



PASITO MINI 1.0 p. 424



PASITO 1.0 p. 426

### RECESSED, WITH FRAME



PASITO MINI 1.1 p. 425



PASITO 1.1 p. 427

### SURFACE MOUNTED



PASITO MINI 1.2 p. 425



PASITO 1.2 p. 427

RECESSED  
INSTALLATION,  
FLUSH: PASITO  
DISAPPEARS  
INTO THE WALL,  
LEAVING ONLY  
ITS LIGHT  
OUTPUT VISIBLE



RECESSED  
INSTALLATION, WITH  
FRAME; SURFACE  
INSTALLATION



**IP65**  
SUITABLE FOR OUTDOOR APPLICATIONS



BUILT-IN PROTECTION SYSTEMS:  
**IPS**  
INTELLIGENT PROTECTION SYSTEM



**IK05** PASITO MINI 1.0



**IK06** PASITO MINI 1.1/1.2  
PASITO 1.1/1.2



**IK07** PASITO 1.0



BUILT-IN 230VAC POWER SUPPLY SO THAT THE FIXTURE  
CAN BE CONNECTED DIRECTLY TO THE MAINS POWER  
WITHOUT THE NEED FOR REMOTE DRIVERS



6-STEP MATERIAL PROTECTION, AND  
OXIDATION AND CORROSION RESISTANCE

Low-copper-content anticorrosive aluminium alloy 6060

Preparation for painting

Epoxy paint

Polyester paint

Paints compliant with Qualicoat automotive coating standard

Salt spray tested (over 1500 hours)

BODY IN LOW-COPPER-CONTENT ANTICORRODAL 6060  
ALUMINIUM FOR EXCELLENT RESISTANCE TO CORROSION  
AND BETTER HEAT DISSIPATION. (PASITO MINI 1.0 AND PASITO 1.0)  
BODY IN TECHNO-POLYMER FOR HIGH RESISTANCE  
TO IMPACT, SUB-ZERO TEMPERATURES AND HARSH  
CONDITIONS SUCH AS SALINE ENVIRONMENTS  
(PASITO MINI 1.1 / 1.2 AND PASITO 1.1 / 1.2)

**PASITO MINI 1.1 / PASITO 1.1**

INSTALLED ON PLASTERBOARD USING THE SPRINGS PROVIDED,  
WITHOUT THE NEED FOR AN OUTER CASING



THE CONTROLLED DOWNWARD  
BEAM REDUCES LIGHT  
SPILL TO A MINIMUM

# UNIQUE SELLING POINTS



RAL FINISH  
ON REQUEST



ANTHRACITE



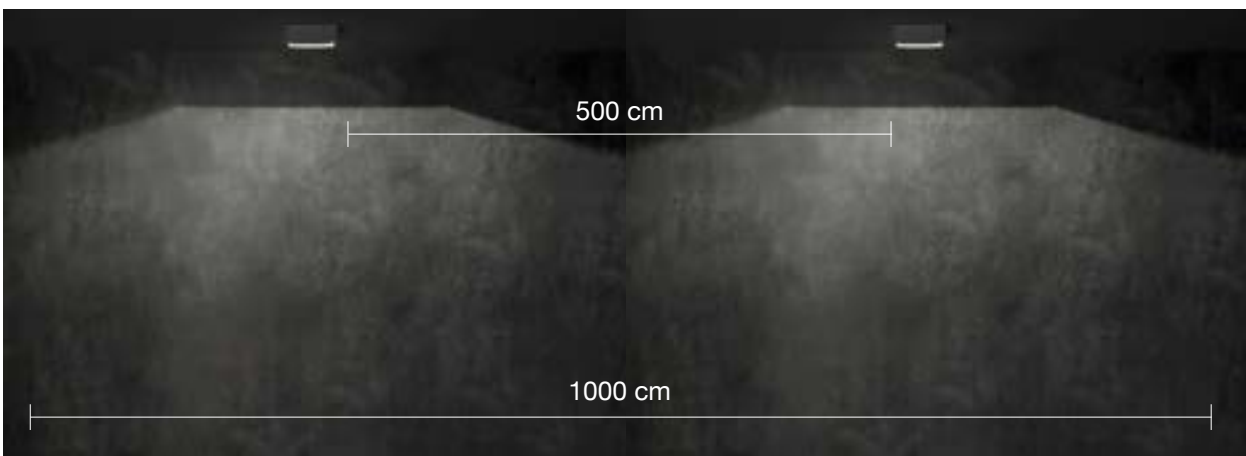
WHITE



CORTEN

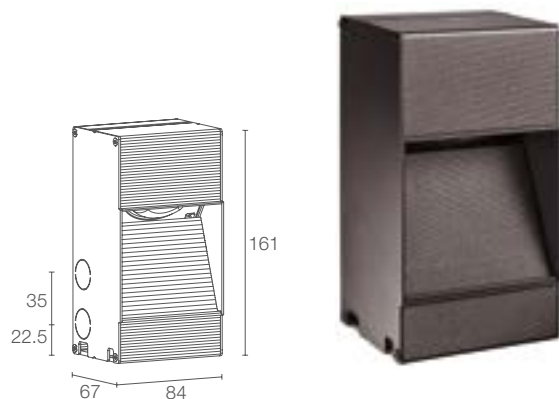


GREY



THE 150°X90° ASYMMETRICAL OPTICS MEAN THE FIXTURES CAN BE POSITIONED 5 METRES APART: THIS REDUCES THE NUMBER OF STEP LIGHTS NEEDED TO GUARANTEE LIGHT UNIFORMITY ON LONG PATHWAYS. INSTALLATION HEIGHT 80 CM.

- ▼ **PASITO MINI 1.0**  
recessed installation, flush
- PASITO MINI 1.1**  
recessed installation, with frame
- PASITO MINI 1.2**  
surface installation



## PASITO MINI 1.0

Power supply unit included in the 230Vac version  
Required outer casing, not included

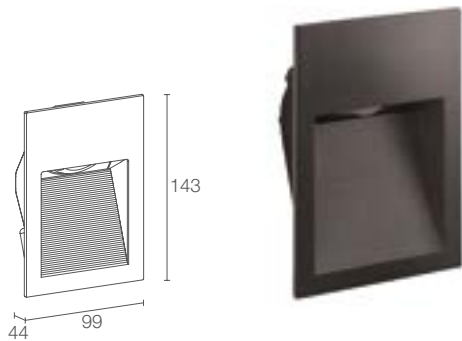


### POWER / POWER SUPPLY CODE

6W 230Vac						
<b>PM1010</b>	<b>000</b>	<b>0</b>	<b>0</b>	<b>0</b>	<b>E</b>	White
<b>PM1010</b>	<b>000</b>	<b>0</b>	<b>0</b>	<b>0</b>	<b>F</b>	Grey
<b>PM1010</b>	<b>000</b>	<b>0</b>	<b>0</b>	<b>0</b>	<b>H</b>	Anthracite
<b>PM1010</b>	<b>000</b>	<b>0</b>	<b>0</b>	<b>0</b>	<b>T</b>	Cor-ten
5W 24Vdc						
<b>PM1000</b>	<b>000</b>	<b>0</b>	<b>0</b>	<b>0</b>	<b>E</b>	White
<b>PM1000</b>	<b>000</b>	<b>0</b>	<b>0</b>	<b>0</b>	<b>F</b>	Grey
<b>PM1000</b>	<b>000</b>	<b>0</b>	<b>0</b>	<b>0</b>	<b>H</b>	Anthracite
<b>PM1000</b>	<b>000</b>	<b>0</b>	<b>0</b>	<b>0</b>	<b>T</b>	Cor-ten

<b>CRI</b>	<b>0</b> - CRI 80 <b>1</b> - CRI >90
<b>LED COLOUR</b>	<b>F</b> - 2700K <b>5</b> - 3000K <b>9</b> - 4000K
<b>OPTICS</b>	<b>A</b> - asymmetrical, 150°x90° <b>B</b> - 60°

LUMEN OUTPUT AT SOURCE	383 lm (3000K, CRI 80)
DELIVERED LUMEN OUTPUT	214 lm (3000K, 150°x90°, CRI 80, white finish)
NO. AND TYPE OF LED	1 high-intensity power LED 1/4 ANSI BIN, 50000h L90 B10 (Ta 25°C)
MATERIAL	body in anticorodal aluminium
POWER SUPPLY UNIT	230Vac: included 24Vdc: not included, see p. 904
POWER CABLES	230Vac: includes 0.20 m neoprene cable H05RN-F 2x1.00 Ø7.0 mm 24Vdc: includes 0.30 m neoprene cable H05RN-F 2x0.35/0.75 Ø6.3 mm
MOUNTING	recessed, flush (wall)
ACCESSORIES	see p. 429
PHOTOMETRIC DATA	see p. 858



85x125 mm

## PASITO MINI 1.1

Power supply unit included in the 230Vac version



- 6W 230Vac
- PM1110 E White
  - PM1110 F Grey
  - PM1110 H Anthracite
  - PM1110 T Cor-ten

- 5W 24Vdc
- PM1100 E White
  - PM1100 F Grey
  - PM1100 H Anthracite
  - PM1100 T Cor-ten

0 - CRI 80	1 - CRI >90	
F - 2700K	5 - 3000K	9 - 4000K
A - asymmetrical, 150°x90°	B - 60°	

383 lm (3000K, CRI 80)

214 lm (3000K, 150°x90°, CRI 80, white finish)

1 high-intensity power LED  
1/4 ANSI BIN, 50000h L90 B10 (Ta 25°C)

body in technopolymer and aluminium

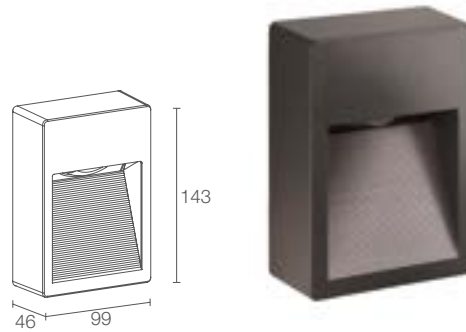
230Vac: included  
24Vdc: not included, see p. 904

230Vac: includes 0.20 m neoprene cable  
H05RN-F 2x1.00 Ø7.0 mm  
24Vdc: includes 0.30 m neoprene cable  
H05RN-F 2x0.35/0.75 Ø6.3 mm

recessed, with frame (wall)

see p. 429

see p. 858



## PASITO MINI 1.2

Power supply unit included in the 230Vac version



- 6W 230Vac
- PM1210 E White
  - PM1210 F Grey
  - PM1210 H Anthracite
  - PM1210 T Cor-ten

- 5W 24Vdc
- PM1200 E White
  - PM1200 F Grey
  - PM1200 H Anthracite
  - PM1200 T Cor-ten

0 - CRI 80	1 - CRI >90	
F - 2700K	5 - 3000K	9 - 4000K
A - asymmetrical, 150°x90°	B - 60°	

383 lm (3000K, CRI 80)

214 lm (3000K, 150°x90°, CRI 80, white finish)

1 high-intensity power LED  
1/4 ANSI BIN, 50000h L90 B10 (Ta 25°C)

body in technopolymer and aluminium

230Vac: included  
24Vdc: not included, see p. 904

230Vac: includes 0.20 m neoprene cable  
H05RN-F 2x1.00 Ø7.0 mm  
24Vdc: includes 0.30 m neoprene cable  
H05RN-F 2x0.35/0.75 Ø6.3 mm

surface mounted (wall)

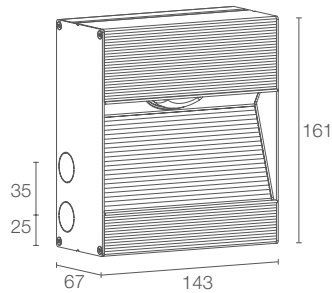
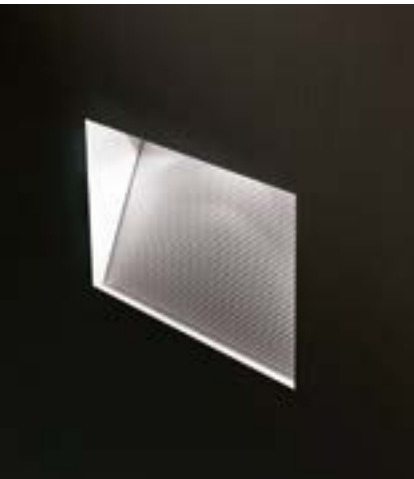
none

see p. 858





- ✓ PASITO 1.0  
recessed installation, flush
- PASITO 1.1  
recessed installation, with frame
- PASITO 1.2  
surface installation



## PASITO 1.0

Power supply unit included in the 230Vac version  
Required outer casing, not included



kg 0.49 IP65 IK07

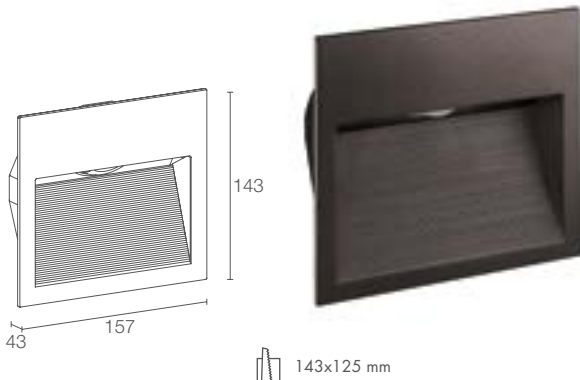
A A+ A++ IPS CASAMBI

### POWER / POWER SUPPLY CODE

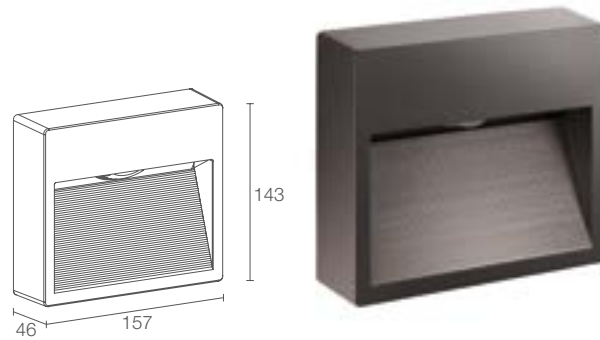
13W 230Vac					
<b>PA1010</b>	■	■	■	■	E White
<b>PA1010</b>	■	■	■	■	F Grey
<b>PA1010</b>	■	■	■	■	H Anthracite
<b>PA1010</b>	■	■	■	■	T Cor-ten
8.5W 24Vdc					
<b>PA1000</b>	■	■	■	■	E White
<b>PA1000</b>	■	■	■	■	F Grey
<b>PA1000</b>	■	■	■	■	H Anthracite
<b>PA1000</b>	■	■	■	■	T Cor-ten

<b>CRI</b>	<b>0</b> - CRI 80 <b>1</b> - CRI >90
<b>LED COLOUR</b>	<b>F</b> - 2700K <b>5</b> - 3000K <b>9</b> - 4000K
<b>OPTICS</b>	<b>A</b> - asymmetrical, 150°x90° <b>B</b> - 60°

LUMEN OUTPUT AT SOURCE	851 lm (3000K, CRI 80)
DELIVERED LUMEN OUTPUT	390 lm (3000K, 150°x90°, CRI 80, white finish)
NO. AND TYPE OF LED	1 high-intensity power LED 3-step MacAdam, 50000h L90 B10 (Ta 25°C)
MATERIAL	body in anticorodal aluminium
POWER SUPPLY UNIT	230Vac: included 24Vdc: not included, see p. 904
POWER CABLES	230Vac: includes 0.20 m neoprene cable H05RN-F 2x1.00 Ø7.0 mm 24Vdc: includes 0.30 m neoprene cable H05RN-F 2x0.35/0.75 Ø6.3 mm
MOUNTING	recessed, flush (wall)
ACCESSORIES	see p. 429
PHOTOMETRIC DATA	see p. 858 and 859



143x125 mm



## PASITO 1.1

Power supply unit included in the 230Vac version



kg 0.46 IP65 IK06

A A+ A++ IPS CASAMBI

8W 230Vac

**PA1110** **E** White  
**PA1110** **F** Grey  
**PA1110** **H** Anthracite  
**PA1110** **T** Cor-ten

6W 24Vdc

**PA1100** **E** White  
**PA1100** **F** Grey  
**PA1100** **H** Anthracite  
**PA1100** **T** Cor-ten

**0** - CRI 80  
**1** - CRI >90

**F** - 2700K  
**5** - 3000K  
**9** - 4000K

**A** - asymmetrical, 150°x90°  
**B** - 60°

851 lm (3000K, CRI 80)

364 lm (3000K, 150°x90°, CRI 80, white finish)

1 high-intensity power LED  
3-step MacAdam, 50000h L90 B10 (Ta 25°C)

body in technopolymer and aluminium

230Vac: included  
24Vdc: not included, see p. 904

230Vac: includes 0.20 m neoprene cable  
H05RN-F 2x1.00 Ø7.0 mm  
24Vdc: includes 0.30 m neoprene cable  
H05RN-F 2x0.35/0.75 Ø6.3 mm

recessed, with frame (wall)

see p. 429

see p. 859

## PASITO 1.2

Power supply unit included in the 230Vac version



kg 0.60 IP65 IK06

A A+ A++ IPS CASAMBI

8W 230Vac

**PA1210** **E** White  
**PA1210** **F** Grey  
**PA1210** **H** Anthracite  
**PA1210** **T** Cor-ten

6W 24Vdc

**PA1200** **E** White  
**PA1200** **F** Grey  
**PA1200** **H** Anthracite  
**PA1200** **T** Cor-ten

**0** - CRI 80  
**1** - CRI >90

**F** - 2700K  
**5** - 3000K  
**9** - 4000K

**A** - asymmetrical, 150°x90°  
**B** - 60°

851 lm (3000K, CRI 80)

364 lm (3000K, 150°x90°, CRI 80, white finish)

1 high-intensity power LED  
3-step MacAdam, 50000h L90 B10 (Ta 25°C)

body in technopolymer and aluminium

230Vac: included  
24Vdc: not included, see p. 904

230Vac: includes 0.20 m neoprene cable  
H05RN-F 2x1.00 Ø7.0 mm  
24Vdc: includes 0.30 m neoprene cable  
H05RN-F 2x0.35/0.75 Ø6.3 mm

surface mounted (wall)

none

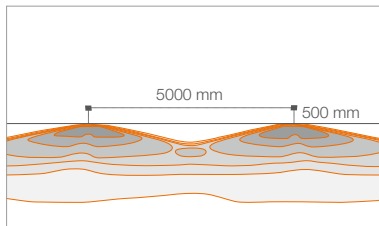
see p. 859



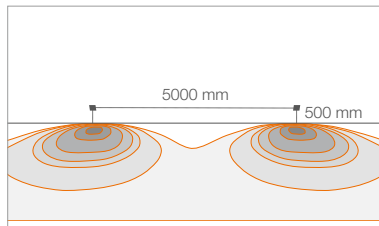
**POSITIONING  
DIAGRAMS**

**PASITO MINI 1.0 / 1.1 / 1.2**

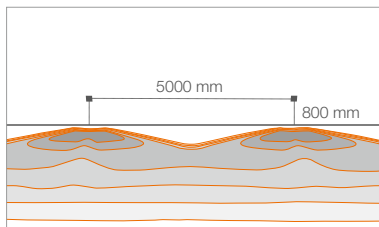
**A** - Asymmetrical 150°x90°



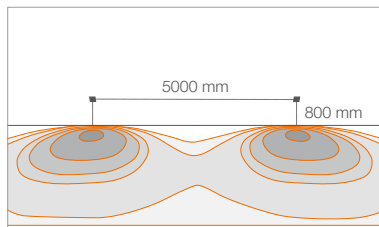
**B** - 60°



**A** - Asymmetrical 150°x90°

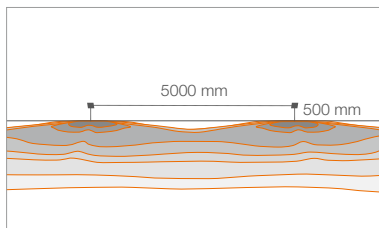


**B** - 60°

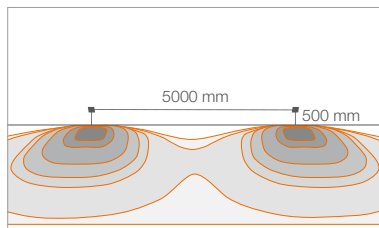


**PASITO 1.0 / 1.1 / 1.2**

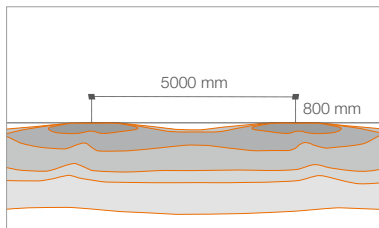
**A** - Asymmetrical 150°x90°



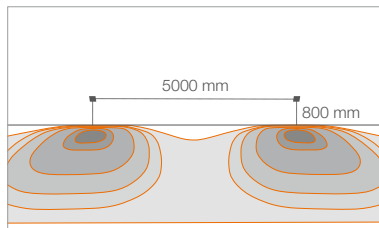
**B** - 60°



**A** - Asymmetrical 150°x90°



**B** - 60°





# ACCESSORIES AND POSITIONING DIAGRAMS

## ACCESSORIES FOR INSTALLATION



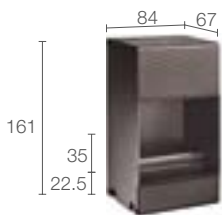
**WC1420**

Outer casing for solid walls  
(Pasito Mini 1.1)



**WC1430**

Outer casing for solid walls  
(Pasito 1.1)



**WCA00E** - White

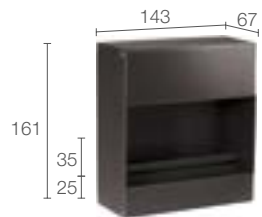
**WCA00F** - Grey

**WCA00H** - Anthracite

**WCA00T** - Cor-ten

Outer casing

(Pasito Mini 1.0)



**WC1410E** - White

**WC1410F** - Grey

**WC1410H** - Anthracite

**WC1410T** - Cor-ten

Outer casing

(Pasito 1.0)

# PASITO

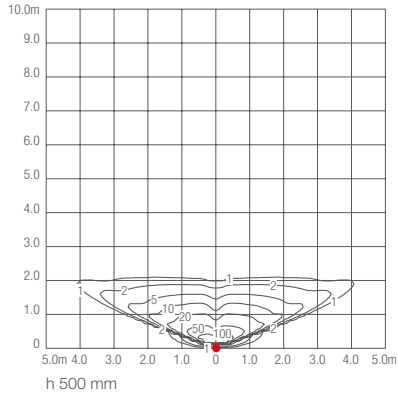
## OUTDOOR STEP LIGHTS

### PASITO MINI 1.0

1.1  
1.2

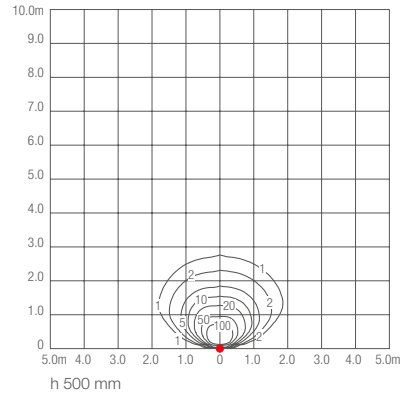
**A** - Asymmetrical 150°x90° CRI 80

Isolux (3000K)



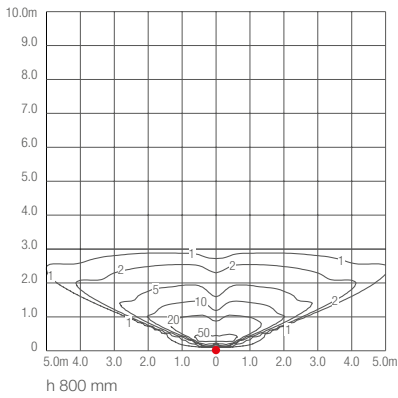
**B** - 60° CRI 80

Isolux (3000K)



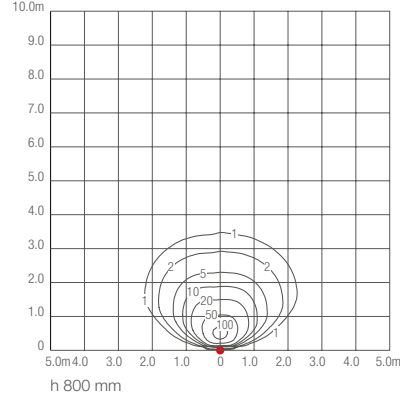
**A** - Asymmetrical 150°x90° CRI 80

Isolux (3000K)



**B** - 60° CRI 80

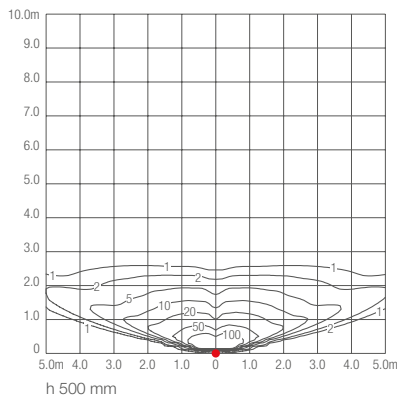
Isolux (3000K)



### PASITO 1.0

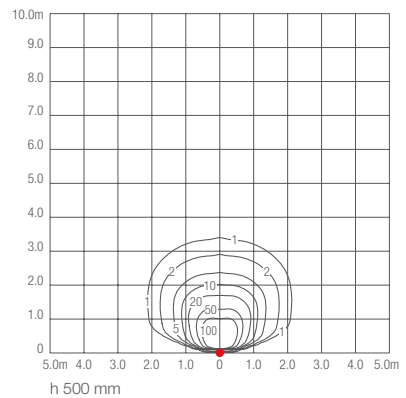
**A** - Asymmetrical 150°x90° CRI 80

Isolux (3000K)



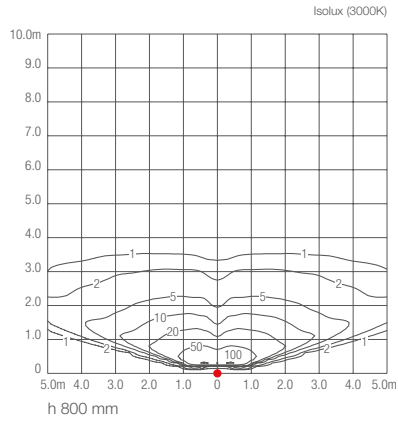
**B** - 60° CRI 80

Isolux (3000K)

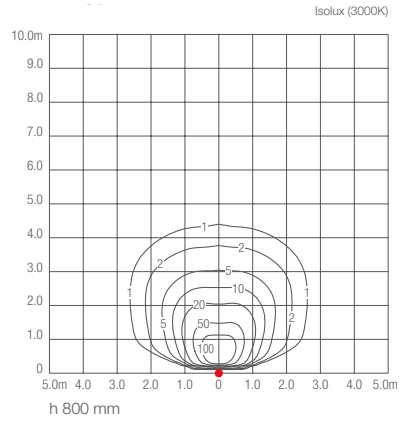


### PASITO 1.0

**A** - Asymmetrical 150°x90° CRI 80

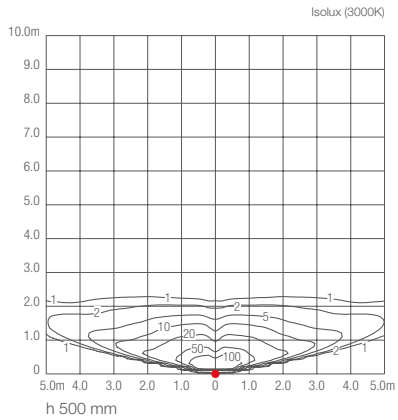


**B** - 60° CRI 80

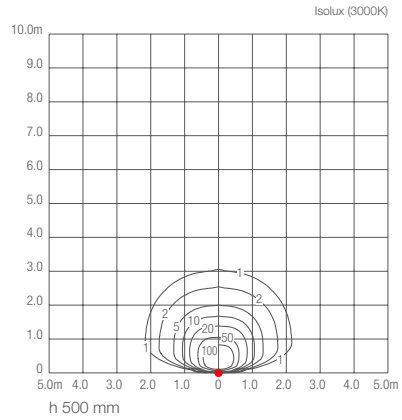


### PASITO 1.1 1.2

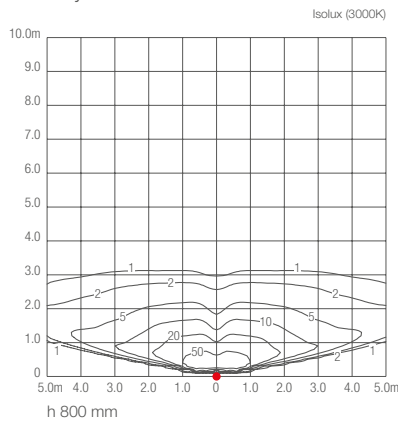
**A** - Asymmetrical 150°x90° CRI 80



**B** - 60° CRI 80



**A** - Asymmetrical 150°x90° CRI 80



**B** - 60° CRI 80

