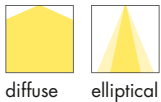


## SUSPENDED FOR INDOOR APPLICATIONS DOUBLE BEAM FOR RETAIL, HOSPITALITY, OFFICES AND PRIVATE HOMES



diffuse    elliptical



2700K 3000K 4000K

**620 mm**

**1180 mm**

**1740 mm**

### CONVEX COVER



**BERICA S 1.0** p. 670  
14W 230Vac  
ON/OFF, DALI+PUSH



**BERICA S 1.1** p. 671  
28W 230Vac  
ON/OFF, DALI+PUSH



**BERICA S 1.2** p. 671  
39W 230Vac  
ON/OFF, DALI+PUSH

### FLAT COVER



**BERICA S 2.0** p. 672  
14W 230Vac  
ON/OFF, DALI+PUSH



**BERICA S 2.1** p. 673  
28W 230Vac  
ON/OFF, DALI+PUSH



**BERICA S 2.2** p. 673  
39W 230Vac  
ON/OFF, DALI+PUSH

### CONCAVE COVER



**BERICA S 3.0** p. 674  
14W 230Vac  
ON/OFF, DALI+PUSH



**BERICA S 3.1** p. 675  
28W 230Vac  
ON/OFF, DALI+PUSH



**BERICA S 3.2** p. 675  
39W 230Vac  
ON/OFF, DALI+PUSH

### INDOOR WALL MOUNTED

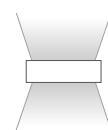
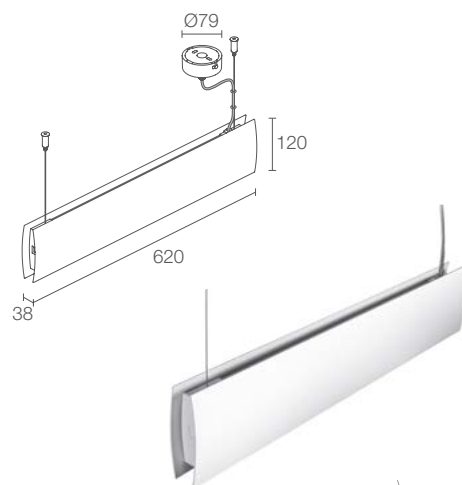
**BERICA IN** p. 608

### OUTDOOR WALL MOUNTED

**BERICA OUT** p. 316



^  
**BERICA S 2.0**  
 3000K, 14W, 58°x99°, antique bronze



## BERICA S 1.0

CE ENEC LED TECH kg 2.0 IP40 DALI PUSH  
 A A+ A++

### POWER / POWER SUPPLY CODE

14W 230Vac  
**BS10101** ■ 00 ■ D ■ B White  
**BS10101** ■ 00 ■ D ■ 6 Antique white  
**BS10101** ■ 00 ■ D ■ Z Antique bronze  
**BS10101** ■ 00 ■ D ■ K Matt aluminium grey  
**BS10101** ■ 00 ■ D ■ 8 Primer

### CONTROL SYSTEM

**0** - on/off  
**D** - DALI+PUSH

### LED COLOUR

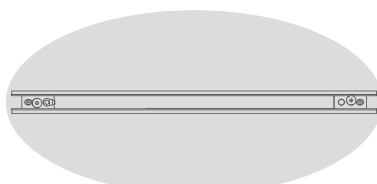
**F** - 2700K  
**5** - 3000K  
**9** - 4000K

### LOWER OPTICS

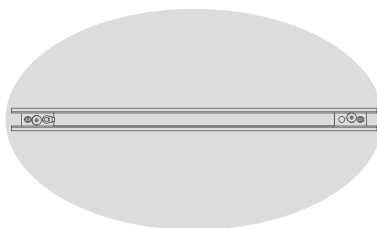
**L** - 44°x90°  
**K** - 58°x99°  
**D** - diffuse

### UPPER OPTICS

diffuse

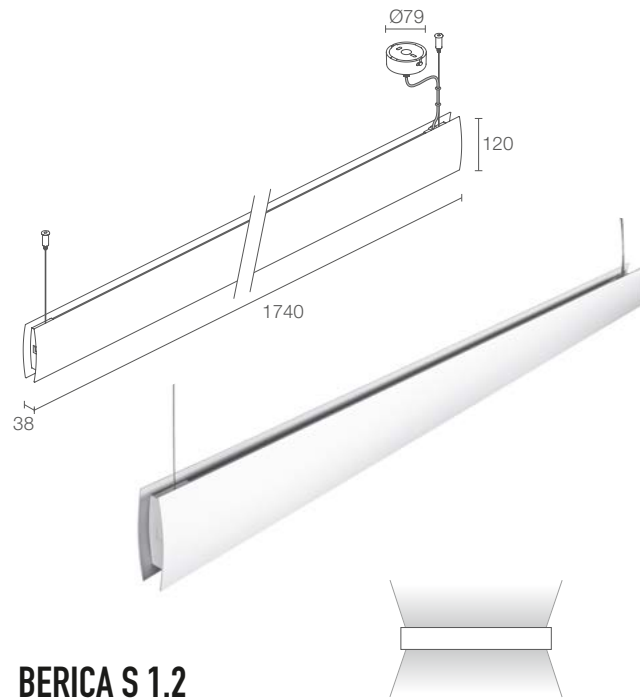
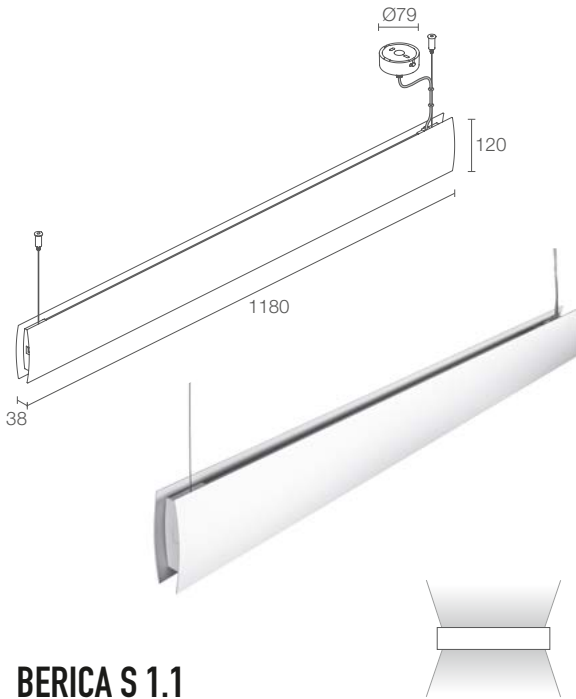


44°x90° optics



58°x99° optics

LUMEN OUTPUT AT SOURCE	1647 lm (3000K)
DELIVERED LUMEN OUTPUT	1159 lm (3000K, 44°x90°+ diffuse)
NO. AND TYPE OF LED	84 mid-power LEDs 3-step MacAdam, 60 000h L90 B10 (Ta 25°C)
MATERIAL	body and cover in anticorrosional aluminium ceiling rose in steel
POWER SUPPLY UNIT	built in
POWER CABLES	on/off: includes 2.5 m PVC + PVC cable 2x0.75 Ø5.4 mm DALI: includes 2.5 m PVC + PVC cable 5x0.75 Ø6.6 mm
MOUNTING	surface mounted (ceiling) with ceiling rose
FEATURES	CRI >90
NOTES	indoor wall-mounted version: Berica IN 1, p. 612 outdoor wall-mounted version: Berica OUT 1, p. 318 non-standard lengths available on request single-beam version available on request Casambi-compatible version, controllable with the Casambi app, available on request
PHOTOMETRIC DATA	see p. 788



## BERICA S 1.1

## BERICA S 1.2

CE ENEC LED TECH kg 3.8 IP40 DALI PUSH  
**A** **A+** **A++**

CE ENEC LED TECH kg 5.1 IP40 DALI PUSH  
**A** **A+** **A++**

28W 230Vac

**BS11101** ■ **00** ■ **D** ■ **B** White  
**BS11101** ■ **00** ■ **D** ■ **6** Antique white  
**BS11101** ■ **00** ■ **D** ■ **Z** Antique bronze  
**BS11101** ■ **00** ■ **D** ■ **K** Matt aluminium grey  
**BS11101** ■ **00** ■ **D** ■ **8** Primer

39W 230Vac

**BS12101** ■ **00** ■ **D** ■ **B** White  
**BS12101** ■ **00** ■ **D** ■ **6** Antique white  
**BS12101** ■ **00** ■ **D** ■ **Z** Antique bronze  
**BS12101** ■ **00** ■ **D** ■ **K** Matt aluminium grey  
**BS12101** ■ **00** ■ **D** ■ **8** Primer

■ **0** - on/off  
**D** - DALI+PUSH

■ **0** - on/off  
**D** - DALI+PUSH

■ **F** - 2700K  
**5** - 3000K  
**9** - 4000K

■ **F** - 2700K  
**5** - 3000K  
**9** - 4000K

■ **L** - 44°x90°  
**K** - 58°x99°  
**D** - diffuse

■ **L** - 44°x90°  
**K** - 58°x99°  
**D** - diffuse

diffuse

diffuse

3312 lm (3000K)

4747 lm (3000K)

2320 lm (3000K, 44°x90°+ diffuse)

3333 lm (3000K, 44°x90°+ diffuse)

180 mid-power LEDs  
 3-step MacAdam, 60000h L90 B10 (Ta 25°C)

270 mid-power LEDs  
 3-step MacAdam, 60000h L90 B10 (Ta 25°C)

body and cover in anticorrosional aluminium  
 ceiling rose in steel

body and cover in anticorrosional aluminium  
 ceiling rose in steel

built in

built in

on/off: includes 2.5 m PVC + PVC cable  
 2x0.75 Ø5.4 mm  
 DALI: includes 2.5 m PVC + PVC cable  
 5x0.75 Ø6.6 mm

on/off: includes 2.5 m PVC + PVC cable  
 2x0.75 Ø5.4 mm  
 DALI: includes 2.5 m PVC + PVC cable  
 5x0.75 Ø6.6 mm

surface mounted (ceiling) with ceiling rose

surface mounted (ceiling) with ceiling rose

CRI >90

CRI >90

indoor wall-mounted version: Berica IN 1, p. 612  
 outdoor wall-mounted version: Berica OUT 1, p. 318  
 non-standard lengths available on request  
 single-beam version available on request  
 Casambi-compatible version, controllable with  
 the Casambi app, available on request

indoor wall-mounted version: Berica IN 1, p. 612  
 outdoor wall-mounted version: Berica OUT 1, p. 318  
 non-standard lengths available on request  
 single-beam version available on request  
 Casambi-compatible version, controllable with  
 the Casambi app, available on request

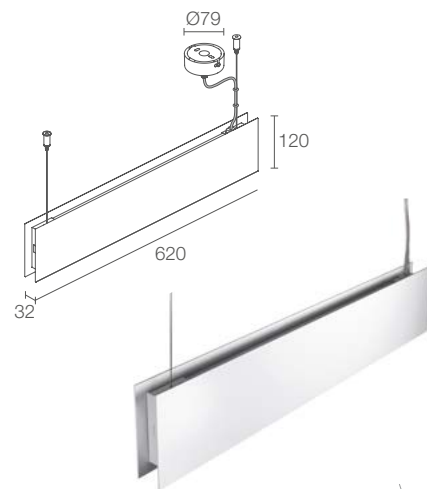
see p. 788

see p. 788



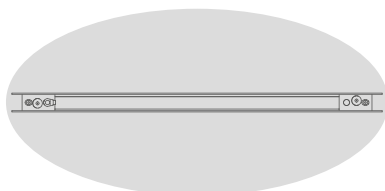


^  
**BERICA S 2.0**  
antique bronze

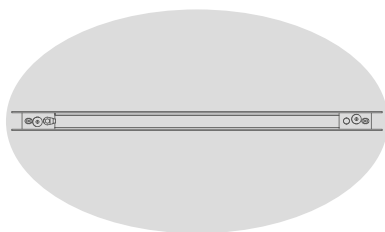


## BERICA S 2.0

CE ENEC LED TECH 2014 kg 2.0 IP40 DALI PUSH  
A A+ A++



44°x90° optics

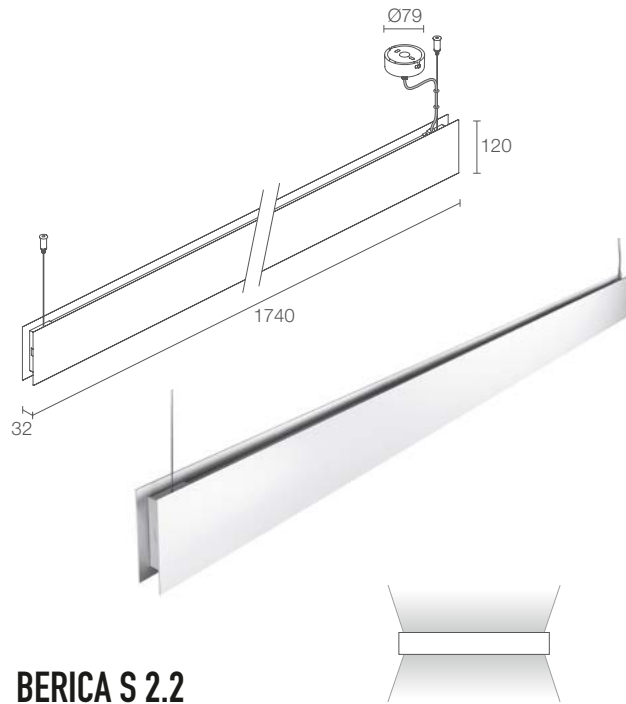
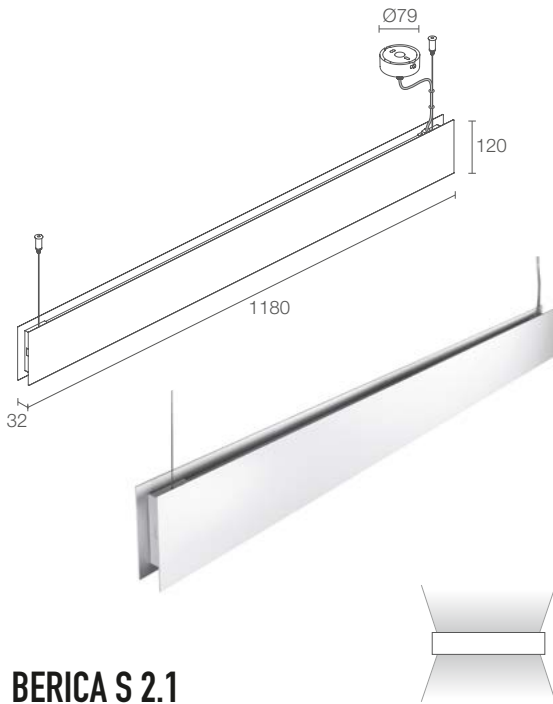


58°x99° optics

**POWER / POWER SUPPLY CODE** 14W 230Vac  
**BS20101** ■ 00 ■ D ■ B White  
**BS20101** ■ 00 ■ D ■ 6 Antique white  
**BS20101** ■ 00 ■ D ■ Z Antique bronze  
**BS20101** ■ 00 ■ D ■ K Matt aluminium grey  
**BS20101** ■ 00 ■ D ■ 8 Primer

■ <b>CONTROL SYSTEM</b>	<b>0</b> - on/off <b>D</b> - DALI+PUSH
■ <b>LED COLOUR</b>	<b>F</b> - 2700K <b>5</b> - 3000K <b>9</b> - 4000K
■ <b>LOWER OPTICS</b>	<b>L</b> - 44°x90° <b>K</b> - 58°x99° <b>D</b> - diffuse
<b>UPPER OPTICS</b>	diffuse

LUMEN OUTPUT AT SOURCE	1647 lm (3000K)
DELIVERED LUMEN OUTPUT	1325 lm (3000K, 44°x90°+ diffuse)
NO. AND TYPE OF LED	84 mid-power LEDs 3-step MacAdam, 60000h L90 B10 (Ta 25°C)
MATERIAL	body and cover in anticorrosional aluminium ceiling rose in steel
POWER SUPPLY UNIT	built in
POWER CABLES	on/off: includes 2.5 m PVC + PVC cable 2x0.75 Ø5.4 mm DALI: includes 2.5 m PVC + PVC cable 5x0.75 Ø6.6 mm
MOUNTING	surface mounted (ceiling) with ceiling rose
FEATURES	CRI >90
NOTES	indoor wall-mounted version: Berica IN 2, p. 614 outdoor wall-mounted version: Berica OUT 2, p. 320 non-standard lengths available on request single-beam version available on request Casambi-compatible version, controllable with the Casambi app, available on request
PHOTOMETRIC DATA	see p. 789



## BERICA S 2.1

## BERICA S 2.2

CE ENEC LED TECH □ kg 3.8 IP40 DALI PUSH  
 A A+ A++

CE ENEC LED TECH □ kg 5.1 IP40 DALI PUSH  
 A A+ A++

28W 230Vac

**BS21101** ■ **00** ■ **D** ■ **B** White  
**BS21101** ■ **00** ■ **D** ■ **6** Antique white  
**BS21101** ■ **00** ■ **D** ■ **Z** Antique bronze  
**BS21101** ■ **00** ■ **D** ■ **K** Matt aluminium grey  
**BS21101** ■ **00** ■ **D** ■ **8** Primer

39W 230Vac

**BS22101** ■ **00** ■ **D** ■ **B** White  
**BS22101** ■ **00** ■ **D** ■ **6** Antique white  
**BS22101** ■ **00** ■ **D** ■ **Z** Antique bronze  
**BS22101** ■ **00** ■ **D** ■ **K** Matt aluminium grey  
**BS22101** ■ **00** ■ **D** ■ **8** Primer

■ **0** - on/off  
 ■ **D** - DALI+PUSH

■ **0** - on/off  
 ■ **D** - DALI+PUSH

■ **F** - 2700K  
 ■ **5** - 3000K  
 ■ **9** - 4000K

■ **F** - 2700K  
 ■ **5** - 3000K  
 ■ **9** - 4000K

■ **L** - 44°x90°  
 ■ **K** - 58°x99°  
 ■ **D** - diffuse

■ **L** - 44°x90°  
 ■ **K** - 58°x99°  
 ■ **D** - diffuse

diffuse

diffuse

3312 lm (3000K)

4747 lm (3000K)

2653 lm (3000K, 44°x90°+ diffuse)

3800 lm (3000K, 44°x90°+ diffuse)

180 mid-power LEDs  
 3-step MacAdam, 60000h L90 B10 (Ta 25°C)

270 mid-power LEDs  
 3-step MacAdam, 60000h L90 B10 (Ta 25°C)

body and cover in anticorodal aluminium  
 ceiling rose in steel

body and cover in anticorodal aluminium  
 ceiling rose in steel

built in

built in

on/off: includes 2.5 m PVC + PVC cable  
 2x0.75 Ø5.4 mm  
 DALI: includes 2.5 m PVC + PVC cable  
 5x0.75 Ø6.6 mm

on/off: includes 2.5 m PVC + PVC cable  
 2x0.75 Ø5.4 mm  
 DALI: includes 2.5 m PVC + PVC cable  
 5x0.75 Ø6.6 mm

surface mounted (ceiling) with ceiling rose

surface mounted (ceiling) with ceiling rose

CRI >90

CRI >90

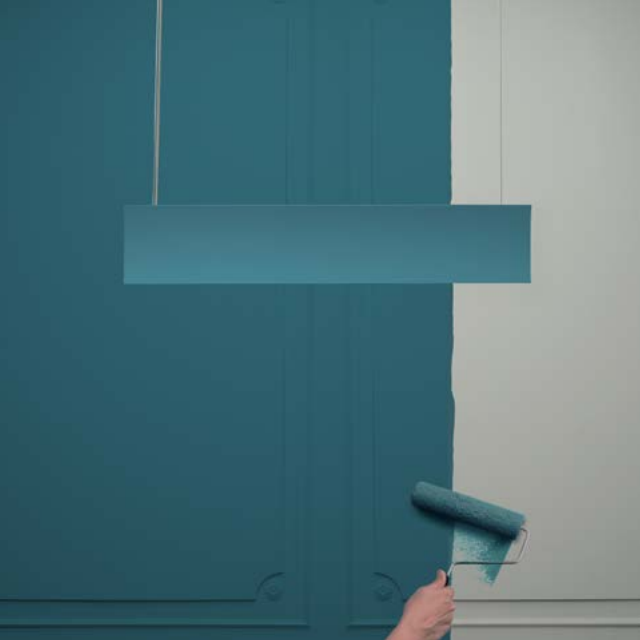
indoor wall-mounted version: Berica IN 2, p. 614  
 outdoor wall-mounted version: Berica OUT 2, p. 320  
 non-standard lengths available on request  
 single-beam version available on request  
 Casambi-compatible version, controllable with  
 the Casambi app, available on request

indoor wall-mounted version: Berica IN 2, p. 614  
 outdoor wall-mounted version: Berica OUT 2, p. 320  
 non-standard lengths available on request  
 single-beam version available on request  
 Casambi-compatible version, controllable with  
 the Casambi app, available on request

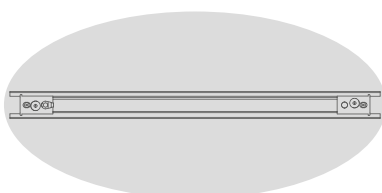
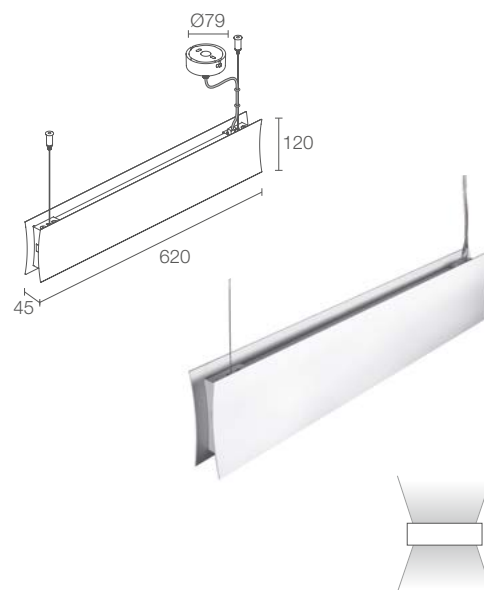
see p. 789

see p. 789

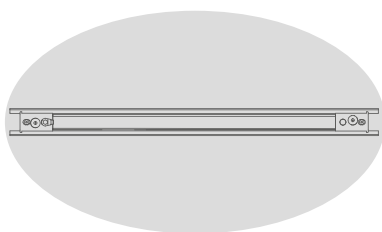




^  
**BERICA S 3.0**  
painted primer version



44°x90° optics



58°x99° optics

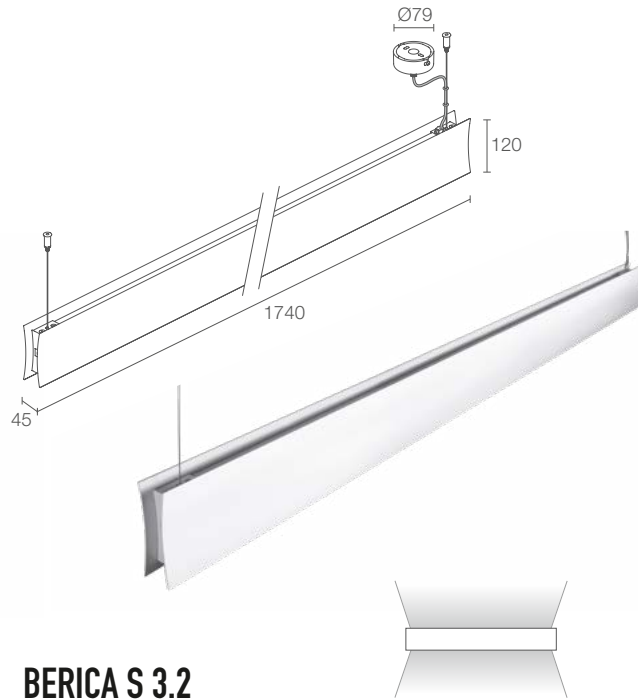
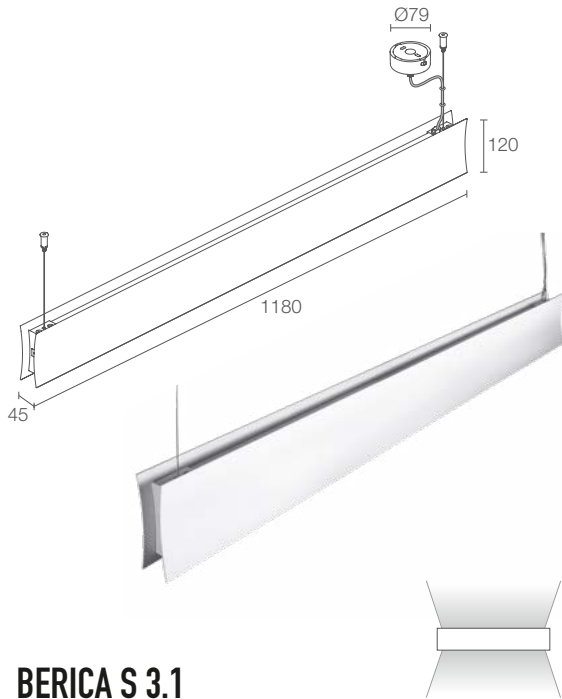
## BERICA S 3.0

CE ENEC LED TECH kg 2.0 IP40 DALI PUSH  
A A+ A++

**POWER / POWER SUPPLY CODE** 14W 230Vac  
**BS30101** ■ 00 ■ D ■ B White  
**BS30101** ■ 00 ■ D ■ 6 Antique white  
**BS30101** ■ 00 ■ D ■ Z Antique bronze  
**BS30101** ■ 00 ■ D ■ K Matt aluminium grey  
**BS30101** ■ 00 ■ D ■ 8 Primer

<b>CONTROL SYSTEM</b>	<b>0</b> - on/off <b>D</b> - DALI+PUSH
<b>LED COLOUR</b>	<b>F</b> - 2700K <b>5</b> - 3000K <b>9</b> - 4000K
<b>LOWER OPTICS</b>	<b>L</b> - 44°x90° <b>K</b> - 58°x99° <b>D</b> - diffuse
<b>UPPER OPTICS</b>	diffuse

LUMEN OUTPUT AT SOURCE	1647 lm (3000K)
DELIVERED LUMEN OUTPUT	1432 lm (3000K, 44°x90° + diffuse)
NO. AND TYPE OF LED	84 mid-power LEDs 3-step MacAdam, 60000h L90 B10 (Ta 25°C)
MATERIAL	body and cover in anticorrosional aluminium ceiling rose in steel
POWER SUPPLY UNIT	built in
POWER CABLES	on/off: includes 2.5 m PVC + PVC cable 2x0.75 Ø5.4 mm DALI: includes 2.5 m PVC + PVC cable 5x0.75 Ø6.6 mm
MOUNTING	surface mounted (ceiling) with ceiling rose
FEATURES	CRI >90
NOTES	indoor wall-mounted version: Berica IN 3, p. 616 outdoor wall-mounted version: Berica OUT 3, p. 322 non-standard lengths available on request single-beam version available on request Casambi-compatible version, controllable with the Casambi app, available on request
PHOTOMETRIC DATA	see p. 790



## BERICA S 3.1

## BERICA S 3.2

CE ENEC LED TECH □ kg 3.8 IP40 DALI PUSH  
 A A+ A++

CE ENEC LED TECH □ kg 5.1 IP40 DALI PUSH  
 A A+ A++

28W 230Vac  
**BS31101** ■ **00** ■ **D** ■ **B** White  
**BS31101** ■ **00** ■ **D** ■ **6** Antique white  
**BS31101** ■ **00** ■ **D** ■ **Z** Antique bronze  
**BS31101** ■ **00** ■ **D** ■ **K** Matt aluminium grey  
**BS31101** ■ **00** ■ **D** ■ **8** Primer

39W 230Vac  
**BS32101** ■ **00** ■ **D** ■ **B** White  
**BS32101** ■ **00** ■ **D** ■ **6** Antique white  
**BS32101** ■ **00** ■ **D** ■ **Z** Antique bronze  
**BS32101** ■ **00** ■ **D** ■ **K** Matt aluminium grey  
**BS32101** ■ **00** ■ **D** ■ **8** Primer

■	<b>0</b> - on/off <b>D</b> - DALI+PUSH
■	<b>F</b> - 2700K <b>5</b> - 3000K <b>9</b> - 4000K
■	<b>L</b> - 44°x90° <b>K</b> - 58°x99° <b>D</b> - diffuse

■	<b>0</b> - on/off <b>D</b> - DALI+PUSH
■	<b>F</b> - 2700K <b>5</b> - 3000K <b>9</b> - 4000K
■	<b>L</b> - 44°x90° <b>K</b> - 58°x99° <b>D</b> - diffuse

diffuse

diffuse

3312 lm (3000K)

4747 lm (3000K)

2881 lm (3000K, 44°x90°+ diffuse)

4129 lm (3000K, 44°x90°+ diffuse)

180 mid-power LEDs  
 3-step MacAdam, 60000h L90 B10 (Ta 25°C)

270 mid-power LEDs  
 3-step MacAdam, 60000h L90 B10 (Ta 25°C)

body and cover in anticorodal aluminium  
 ceiling rose in steel

body and cover in anticorodal aluminium  
 ceiling rose in steel

built in

built in

on/off: includes 2.5 m PVC + PVC cable  
 2x0.75 Ø5.4 mm  
 DALI: includes 2.5 m PVC + PVC cable  
 5x0.75 Ø6.6 mm

on/off: includes 2.5 m PVC + PVC cable  
 2x0.75 Ø5.4 mm  
 DALI: includes 2.5 m PVC + PVC cable  
 5x0.75 Ø6.6 mm

surface mounted (ceiling) with ceiling rose

surface mounted (ceiling) with ceiling rose

CRI >90

CRI >90

indoor wall-mounted version: Berica IN 3, p. 616  
 outdoor wall-mounted version: Berica OUT 3, p. 322  
 non-standard lengths available on request  
 single-beam version available on request  
 Casambi-compatible version, controllable with  
 the Casambi app, available on request

indoor wall-mounted version: Berica IN 3, p. 616  
 outdoor wall-mounted version: Berica OUT 3, p. 322  
 non-standard lengths available on request  
 single-beam version available on request  
 Casambi-compatible version, controllable with  
 the Casambi app, available on request

see p. 790

see p. 790



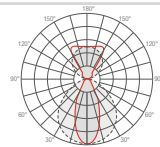
# BERICA S

SUSPENDED FOR INDOOR APPLICATIONS

## BERICA S 1.0

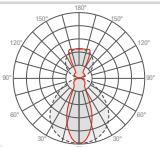
L - 44°x90°

		Lux max (3000K)		cd/m² max 817	— C0 - C180 — C90 - C270
H (m)	Ø (m)	Ø (m)			
0,50	0,35	1,18	2287		
1,00	0,71	2,37	572		
1,50	1,06	3,55	254		
2,00	1,42	4,74	143		
2,50	1,77	5,92	91		
3,00	2,12	7,11	64		



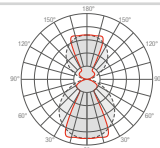
K - 58°x99°

		Lux max (3000K)		cd/m² max 744	— C0 - C180 — C90 - C270
H (m)	Ø (m)	Ø (m)			
0,50	0,39	1,20	1917		
1,00	0,77	2,39	479		
1,50	1,16	3,59	213		
2,00	1,54	4,79	120		
2,50	1,93	5,98	77		
3,00	2,32	7,18	53		



D - Diffuse

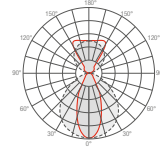
		Lux max (3000K)		cd/m² max 519	— C0 - C180 — C90 - C270
H (m)	Ø (m)	Ø (m)			
0,50	0,50	1,35	1237		
1,00	1,00	2,70	309		
1,50	1,50	4,05	137		
2,00	1,99	5,40	77		
2,50	2,49	6,75	49		
3,00	2,99	8,10	34		



## BERICA S 1.1

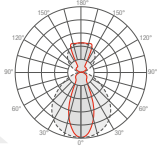
L - 44°x90°

		Lux max (3000K)		cd/m² max 817	— C0 - C180 — C90 - C270
H (m)	Ø (m)	Ø (m)			
0,50	0,35	1,18	4287		
1,00	0,71	2,37	1072		
1,50	1,06	3,55	476		
2,00	1,42	4,74	268		
2,50	1,77	5,92	171		
3,00	2,12	7,11	119		



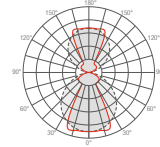
K - 58°x99°

		Lux max (3000K)		cd/m² max 744	— C0 - C180 — C90 - C270
H (m)	Ø (m)	Ø (m)			
0,50	0,39	1,20	3597		
1,00	0,77	2,39	899		
1,50	1,16	3,59	400		
2,00	1,54	4,79	225		
2,50	1,93	5,98	144		
3,00	2,32	7,18	100		



D - Diffuse

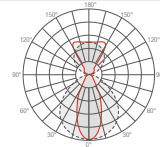
		Lux max (3000K)		cd/m² max 519	— C0 - C180 — C90 - C270
H (m)	Ø (m)	Ø (m)			
0,50	0,50	1,35	2329		
1,00	1,00	2,70	582		
1,50	1,50	4,05	259		
2,00	1,99	5,40	146		
2,50	2,49	6,75	93		
3,00	2,99	8,10	65		



## BERICA S 1.2

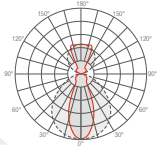
L - 44°x90°

		Lux max (3000K)		cd/m² max 817	— C0 - C180 — C90 - C270
H (m)	Ø (m)	Ø (m)			
0,50	0,35	1,18	6038		
1,00	0,71	2,37	1510		
1,50	1,06	3,55	671		
2,00	1,42	4,74	377		
2,50	1,77	5,92	242		
3,00	2,12	7,11	168		



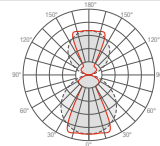
K - 58°x99°

		Lux max (3000K)		cd/m² max 744	— C0 - C180 — C90 - C270
H (m)	Ø (m)	Ø (m)			
0,50	0,39	1,20	5073		
1,00	0,77	2,39	1268		
1,50	1,16	3,59	564		
2,00	1,54	4,79	317		
2,50	1,93	5,98	203		
3,00	2,32	7,18	141		



D - Diffuse

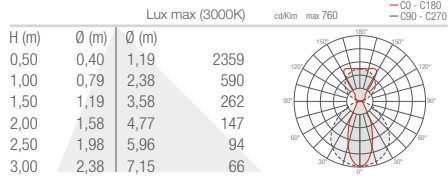
		Lux max (3000K)		cd/m² max 519	— C0 - C180 — C90 - C270
H (m)	Ø (m)	Ø (m)			
0,50	0,50	1,35	3275		
1,00	1,00	2,70	819		
1,50	1,50	4,05	364		
2,00	1,99	5,40	205		
2,50	2,49	6,75	131		
3,00	2,99	8,10	91		



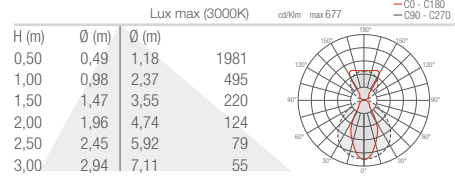


## BERICA S 2.0

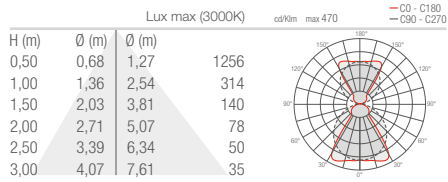
L - 44°x90°



K - 58°x99°

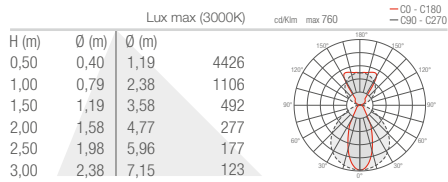


D - Diffuse

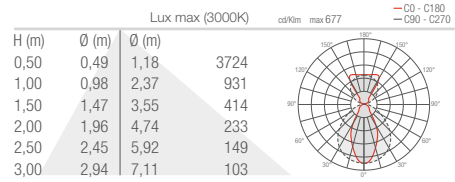


## BERICA S 2.1

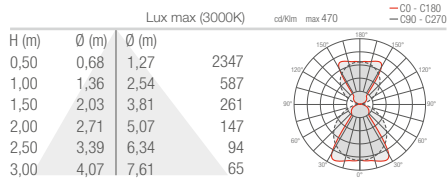
L - 44°x90°



K - 58°x99°

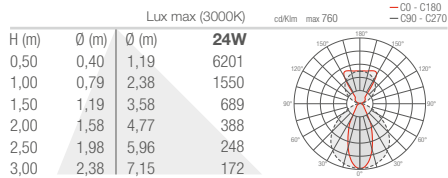


D - Diffuse

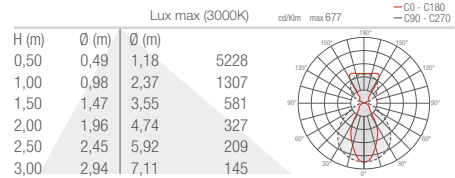


## BERICA S 2.2

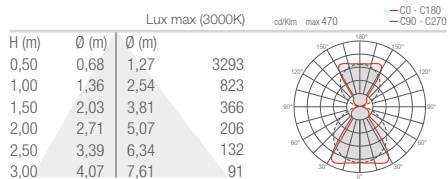
L - 44°x90°



K - 58°x99°

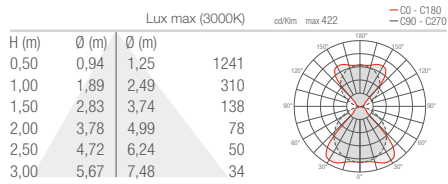
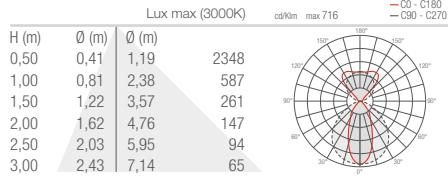


D - Diffuse

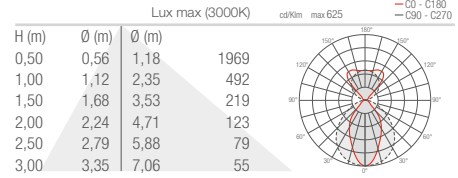


## BERICA S 3.0

L - 44°x90°

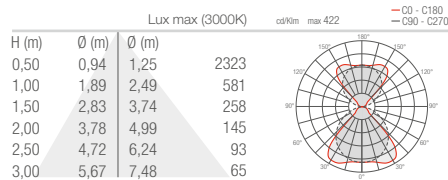
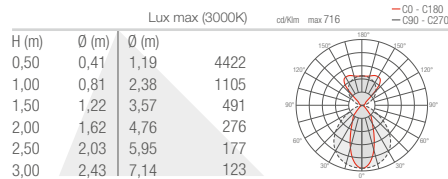


K - 58°x99°

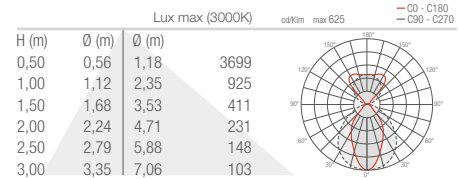


## BERICA S 3.1

L - 44°x90°

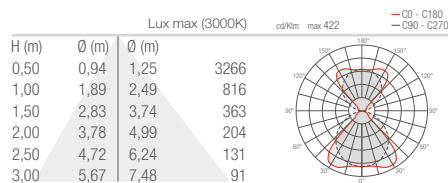
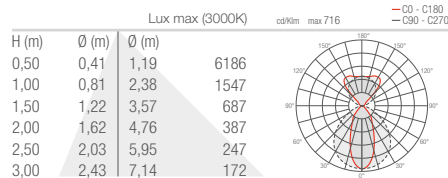


K - 58°x99°



## BERICA S 3.2

L - 44°x90°



K - 58°x99°

