



PROFILE

INDOOR LINEAR PROFILES



PROFILE 1.6



PROFILE 2.6



PROFILE 4.6



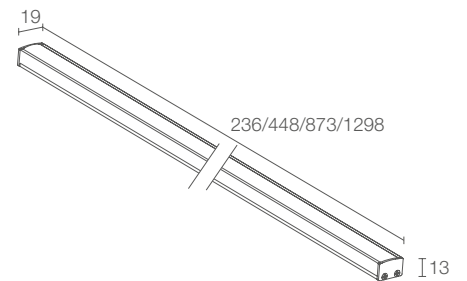
PROFILE



PROFILE 1.6
3000K, 9W, 448 mm



PROFILE 1.6



PROFILE 2.6
3000K, 9W, 448 mm

CE RoHS III kg/m 0.50 IP40
A A+ A++

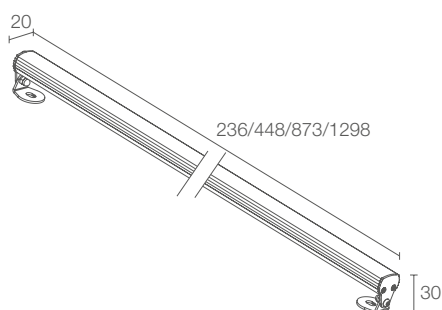


PROFILE 4.6
3000K, 9W, 448 mm

POWER / POWER SUPPLY CODE	5W 24Vdc 236 mm PF1600 ■ D A 9W 24Vdc 448 mm PF1601 ■ D A 17W 24Vdc 873 mm PF1602 ■ D A 22W 24Vdc 1298 mm PF1603 ■ D A
LED COLOUR	F - 2700K 5 - 3000K 9 - 4000K
OPTICS	diffuse
LUMEN OUTPUT AT SOURCE	420 lm (3000K, 236 mm) 840 lm (3000K, 448 mm) 1680 lm (3000K, 873 mm) 2520 lm (3000K, 1298 mm)
DELIVERED LUMEN OUTPUT	255 lm (3000K, 236 mm) 510 lm (3000K, 448 mm) 1020 lm (3000K, 873 mm) 1530 lm (3000K, 1298 mm)
NO. AND TYPE OF LEDS	30, 60, 120, 180 mid-power LEDs
MATERIAL	body in anodized aluminium screen in opal polycarbonate
POWER SUPPLY UNIT	not included, see p. 258
POWER CABLES	includes 1.5 m PVC cable, FROR 2x0.35 Ø3.5 mm
MOUNTING	surface mounted (ceiling, wall, cabinets)
ACCESSORIES	see p. 258
NOTES	non-standard lengths available on request



PROFILE 2.6



CE RoHS III kg/m 0.50 IP40

A A+ A++

5W 24Vdc 236 mm

PF2600 ■ D A

9W 24Vdc 448 mm

PF2601 ■ D A

17W 24Vdc 873 mm

PF2602 ■ D A

22W 24Vdc 1298 mm

PF2603 ■ D A

■ F - 2700K
5 - 3000K
9 - 4000K

diffuse

420 lm (3000K, 236 mm)
840 lm (3000K, 448 mm)
1680 lm (3000K, 873 mm)
2520 lm (3000K, 1298 mm)

255 lm (3000K, 236 mm)
510 lm (3000K, 448 mm)
1020 lm (3000K, 873 mm)
1530 lm (3000K, 1298 mm)

30, 60, 120, 180 mid-power LEDs

body in anodized aluminium
screen in opal polycarbonate

not included, see p. 258

includes 1.5 m PVC cable, FROR 2x0.35 Ø3.5 mm

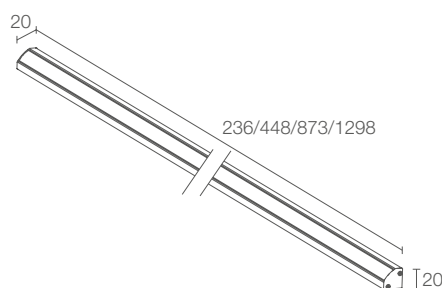
surface mounted (ceiling, wall, cabinets)

see p. 258

non-standard lengths available on request



PROFILE 4.6



CE RoHS III kg/m 0.50 IP40

A A+ A++

5W 24Vdc 236 mm

PF4600 ■ D A

9W 24Vdc 448 mm

PF4601 ■ D A

17W 24Vdc 873 mm

PF4602 ■ D A

22W 24Vdc 1298 mm

PF4603 ■ D A

■ F - 2700K
5 - 3000K
9 - 4000K

diffuse

420 lm (3000K, 236 mm)
840 lm (3000K, 448 mm)
1680 lm (3000K, 873 mm)
2520 lm (3000K, 1298 mm)

255 lm (3000K, 236 mm)
510 lm (3000K, 448 mm)
1020 lm (3000K, 873 mm)
1530 lm (3000K, 1298 mm)

30, 60, 120, 180 mid-power LEDs

body in anodized aluminium
screen in opal polycarbonate

not included, see p. 258

includes 1.5 m PVC cable, FROR 2x0.35 Ø3.5 mm

surface mounted (ceiling, wall, cabinets)

see p. 258

non-standard lengths available on request

PROFILE

ACCESSORIES AND POWER SUPPLY UNITS

POWER CABLES

Cable
FROR 2x0.35 Ø3.5 mm
your choice of length
WF0110

order together with the lighting fixture

POWER SUPPLY UNITS

Max no. fixtures	PSU	IP	Page
1...n	24Vdc	20	671

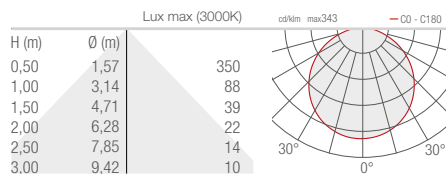
PHOTOMETRIC DATA

PROFILE 1.6

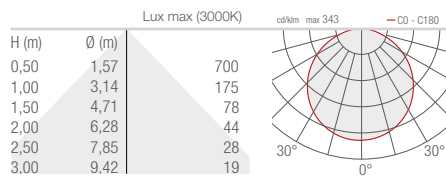
2.6

4.6

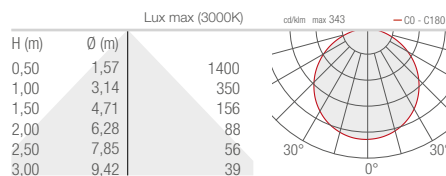
D- Diffuse 236 mm



D- Diffuse 448 mm



D- Diffuse 873 mm



D- Diffuse 1298 mm

