

INDOOR STEP LIGHTS LIGHTING FOR STAIRS AND CORRIDORS



diffuse



2700K 3000K 4000K 5000K blue

RECESSED IN SOLID WALLS

RECESSED IN PLASTERBOARD WALLS

60x70 mm

max 2W max 500mA



LINE 1.0 p. 700



LINE 1.1 p. 700

55x160 mm

max 2W max 500mA



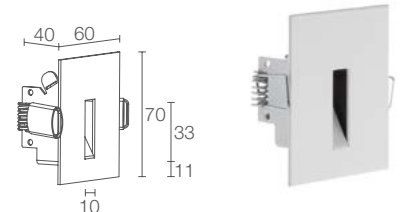
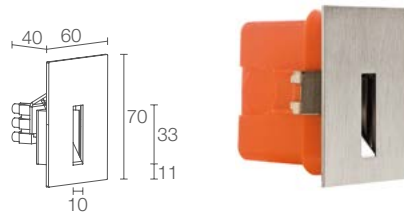
LINE 2.0 p. 701



LINE 2.1 p. 701

< **LINE 1.0**
3000K, 2W, satin

Interior design by / Cristian Turra
Photo by / Alessio Tamborini
Private residence, Brescia, Italy



LINE 1.0

Required outer casing, not included



POWER / POWER SUPPLY CODE

max 2W max 500mA
FL1270 ■ **DB** White
FL1270 ■ **DS** Satin
FL1270 ■ **DT** Cor-ten

LED COLOUR

F - 2700K
5 - 3000K
9 - 4000K
0 - 5000K
1 - blue

OPTICS

diffuse

LUMEN OUTPUT AT SOURCE 145 lm (3000K, 500mA)

DELIVERED LUMEN OUTPUT 32 lm (3000K, 500mA)

NO. AND TYPE OF LED 1 power LED
 1/4 ANSI BIN (white LED colour)
 50000h L90 B10 (Ta 25°C)

MATERIAL body and cover in steel

POWER SUPPLY UNIT not included, see p. 904

POWER CABLES terminal block

WIRING series

MOUNTING recessed (solid walls)

ACCESSORIES see p. 703

NOTES certified ETL version available on request

PHOTOMETRIC DATA see p. 844

LINE 1.1

150x150 mm H 70 mm 38x55 mm



max 2W max 500mA
LN1112 ■ **AB** White
LN1112 ■ **AS** Satin
LN1112 ■ **AT** Cor-ten

F - 2700K
5 - 3000K
9 - 4000K
0 - 5000K
1 - blue

diffuse

LUMEN OUTPUT AT SOURCE 145 lm (3000K, 500mA)

DELIVERED LUMEN OUTPUT 32 lm (3000K, 500mA)

NO. AND TYPE OF LED 1 power LED
 1/4 ANSI BIN (white LED colour)
 50000h L90 B10 (Ta 25°C)

MATERIAL body and cover in steel

POWER SUPPLY UNIT not included, see p. 904

POWER CABLES terminal block

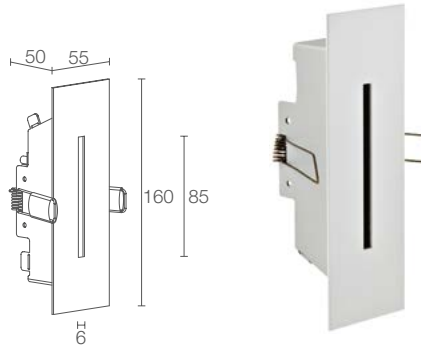
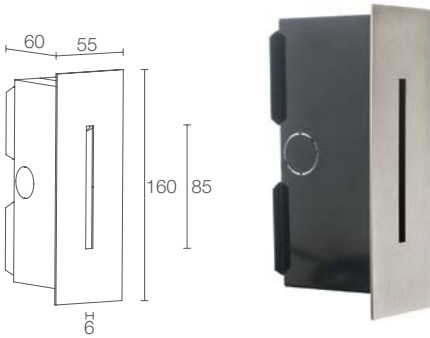
WIRING series

MOUNTING recessed (plasterboard)

ACCESSORIES none

NOTES certified ETL version available on request

PHOTOMETRIC DATA see p. 844



LINE 2.0

Required outer casing, not included

CE EAC LED VECO III kg 0.21 IP20
 A A+ A++ CASAMBI

max 2W max 500mA
LN2012 A B White
LN2012 A S Satin
LN2012 A T Cor-ten

F - 2700K
 5 - 3000K
 9 - 4000K
 0 - 5000K
 1 - blue

diffuse

145 lm (3000K, 500mA)

42 lm (3000K, 500mA)

1 power LED
 1/4 ANSI BIN (white LED colour)
 50000h L90 B10 (T_a 25°C)

body and cover in steel

not included, see p. 904

terminal block

series

recessed (solid walls)

see p. 703

certified ETL version available on request

see p. 844

LINE 2.1

150x210 mm H 70 mm 45x125 mm

CE EAC LED VECO III kg 0.32 IP20
 A A+ A++ CASAMBI

max 2W max 500mA
LN2112 A B White
LN2112 A S Satin
LN2112 A T Cor-ten

F - 2700K
 5 - 3000K
 9 - 4000K
 0 - 5000K
 1 - blue

diffuse

145 lm (3000K, 500mA)

42 lm (3000K, 500mA)

1 power LED
 1/4 ANSI BIN (white LED colour)
 50000h L90 B10 (T_a 25°C)

body and cover in steel

not included, see p. 904

terminal block

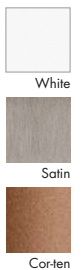
series

recessed (plasterboard)

none

certified ETL version available on request

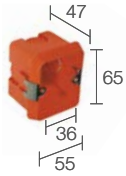
see p. 844





ACCESSORIES AND POSITIONING DIAGRAMS

ACCESSORIES FOR INSTALLATION



WC0300
Outer casing for solid walls
(Line 1.0)

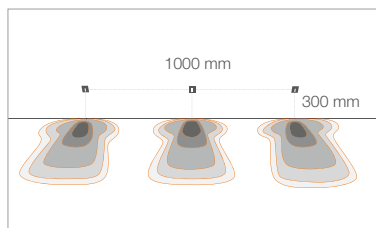
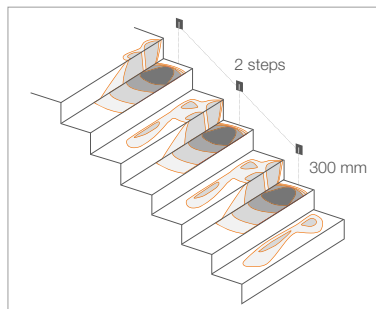


WC1600
Outer casing for solid walls
(Line 2.0)

POSITIONING DIAGRAMS

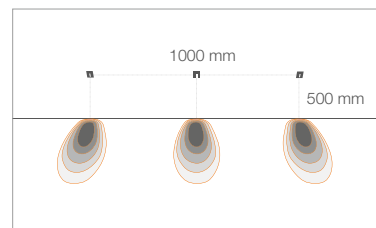
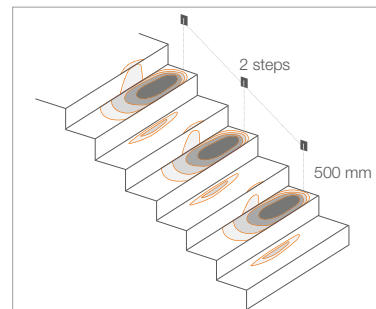
LINE 1.0 / 1.1

D - Diffuse

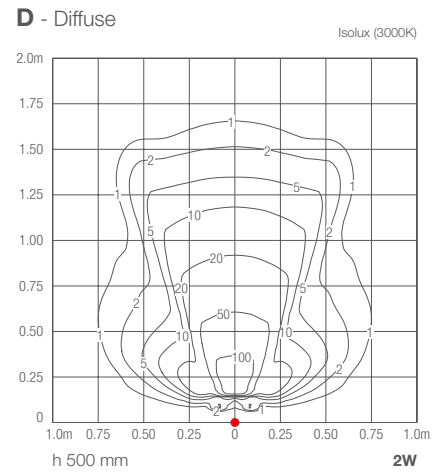
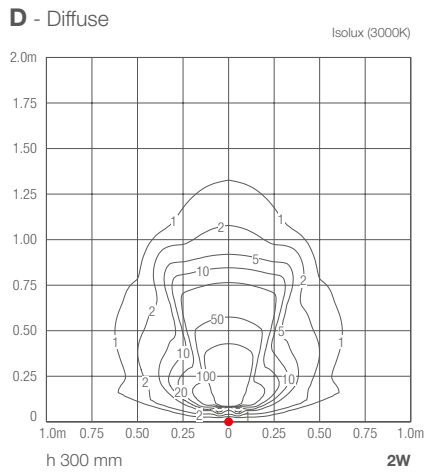


LINE 2.0 / 2.1

D - Diffuse



LINE 1.0 1.1



LINE 2.0 2.1

